

AS-Interface splitter box

VAZ-T1-FK-G10-PTC-1M-PUR-V1-G

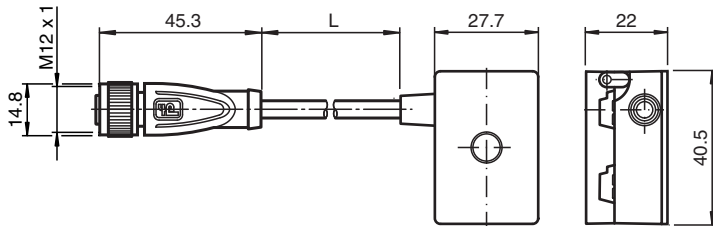


- One piece housing
- Simple and fast mounting
- Electronic current limitation with LED display
- Gold-plated and machined contacts
- Oil and abrasion resistant PUR line appropriate for drag chains
- Immunity to vibration
- Degree of protection IP68 / IP69K
- Halogen-free

G10 junction block, LED status indication, AS-Interface to 1x M12 round plug connector



Dimensions



Technical Data

General specifications		
Construction type	Socket, straight Flat cable terminal AS-Interface	
UL File Number	E223772 "For use in NFPA 79 Applications only"	
Indicators/operating means		
LED Overload	Overload display output; red LED red: overload output	
LED PWR	Operating voltage LED green Green: voltage OK	
Electrical specifications		
Rated operating voltage	U_e	10 ... 32 V PELV
Protection class	III	
Short-circuit current	I_k	max. 40 A
Surge protection	overvoltage category III	
Output		
Current loading capacity	1.6 A (40 °C)	
Response delay	approx. 4 s @ 8 A	
Voltage drop	U_d	0.8 V at 2 A ; 0.3 V at 0.5 A

Release date: 2023-11-21 Date of issue: 2023-11-21 Filename: 245608_eng.pdf

Refer to "General Notes Relating to Pepperl+Fuchs Product Information".

Pepperl+Fuchs Group
www.pepperl-fuchs.com

USA: +1 330 486 0001
fa-info@us.pepperl-fuchs.com

Germany: +49 621 776 1111
fa-info@de.pepperl-fuchs.com

Singapore: +65 6779 9091
fa-info@sg.pepperl-fuchs.com

PEPPERL+FUCHS

Technical Data

Compliance with standards and directives

Directive conformity	
EMC Directive 2004/108/EC	EN 61000-6-2:2005, EN 61000-6-4:2007
Standard conformity	
Noise immunity	EN 61000-6-2:2005
Emitted interference	EN 61000-6-4:2007
Degree of protection	EN 60529:2000
Fieldbus standard	EN 50295:1999, IEC 62026-2:2008

Approvals and certificates

UL approval	cULus Listed, Type 1 enclosure
Maximum permissible ambient temperature	max. 55 °C (max. 131 °F)

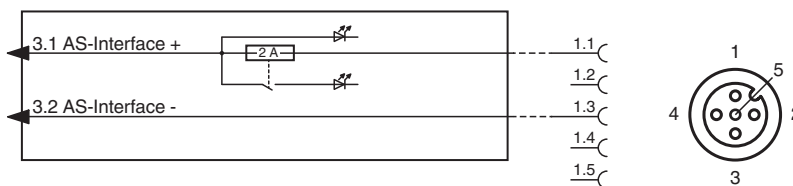
Ambient conditions

Ambient temperature	-25 ... 70 °C (-13 ... 158 °F)
Storage temperature	-25 ... 85 °C (-13 ... 185 °F)

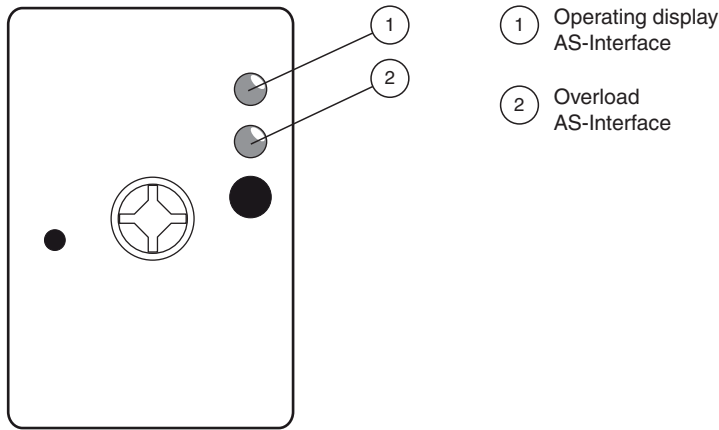
Mechanical specifications

Degree of protection	IP67 IP67 / IP68 / IP69K with flat cable VAZ-FK-S-*	
Connection	Flat cable AS-Interface: cable piercing method Plug connection: M12 x 1 socket (V1)	
Material		
Contacts	CuSn / Au	
Housing	PBT PC	
Body	PUR, black	
Cable	PUR	
Mounting screw	Stainless steel 1.4305 / AISI 303	
Cable		
Sheath diameter	Ø4,3 mm	
Color	black	
Cores	2 x 0.34 mm ²	
Length	L	1 m
Mass		100 g
Tightening torque, fastening screws		1.65 Nm
Tightening torque, cable gland		0.4 Nm
Note	The unused flat cable connector is closed with a seal.	

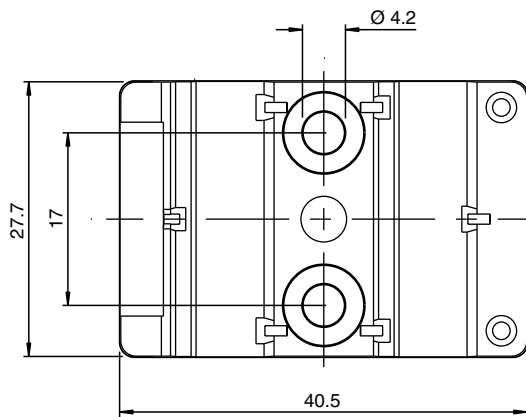
Connection



Assembly



Mounting



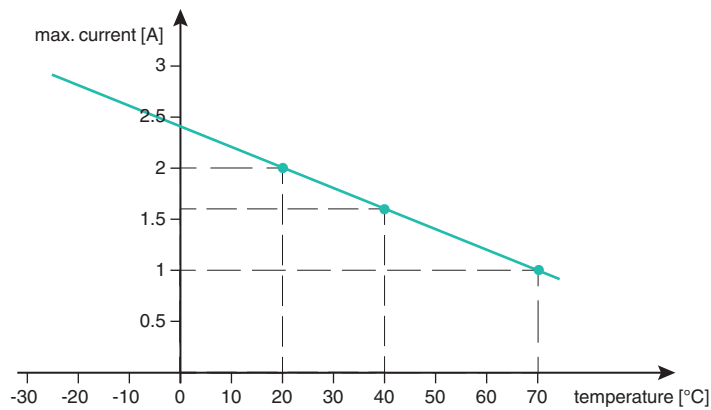
You may screw the device onto a level mounting surface using two M4 attachment screws. The attachment screws are not included.

Release date: 2023-11-21 Date of issue: 2023-11-21 Filename: 245608_eng.pdf

Characteristic Curve

The current loading capacity of the splitter box is depending on the temperature.

Derating



After persistent or frequent short-circuits the internal fuse may open at a lower current.