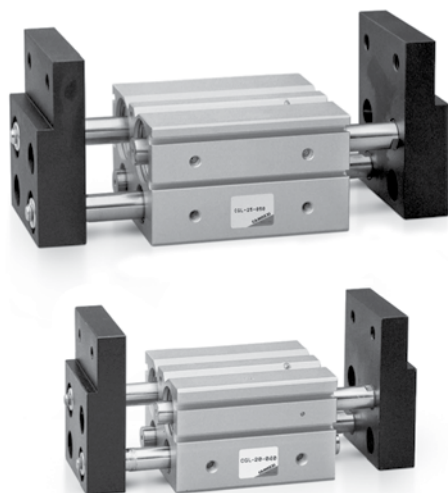


# Wide opening parallel grippers Series CGL

1

Magnetic

Sizes 10 - 16 - 20 - 25 - 32



- » High gripping force
- » Suitable to handle pieces with different sizes
- » Wipers for protection

Due to the relatively long stroke of the fingers, the gripper mod. CGL is suitable to handle workpieces with different sizes. This gripper mod. CGL is equipped with rod wipers to protect against dust. The proximity switches can be inserted in the C-shaped grooves on the body in order to detect whether the gripper is in an open or closed position.

The wide opening parallel gripper mod. CGL is available in 5 different sizes and has a compact design with a high gripping force and exists in five diameters with three different strokes. The high gripping force is obtained by means of a double piston mechanism and the fingers are synchronized by a rack and pinion mechanism.

## GENERAL DATA

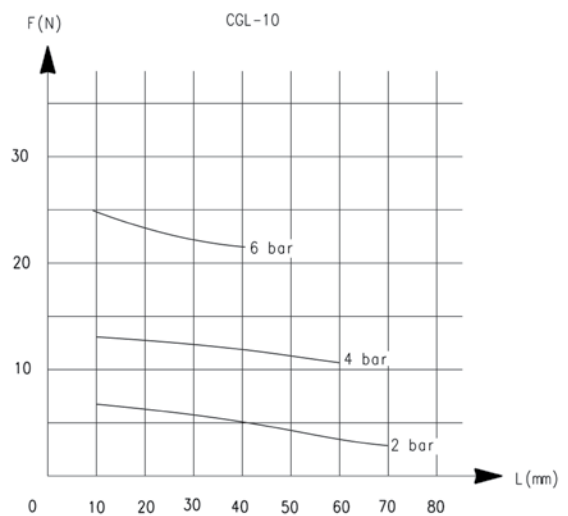
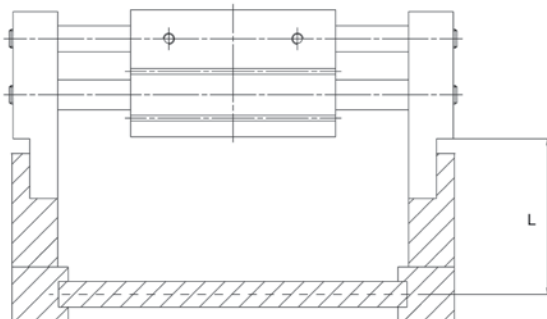
<b>Model</b>	CGL-10; CGL-16M; CGL-20; CGL-25; CGL-32
<b>Bore sizes (mm)</b>	Ø 10 - 16 - 20 - 25 - 32
<b>Stroke</b>	see models' tables
<b>Type of operation</b>	double-acting, parallel type
<b>Operating pressure (bar)</b>	1,5 ÷ 7 bar
<b>Operating pressure</b>	0°C ÷ 60°C
<b>Max. operating frequency</b>	40 cycles/min
<b>Lubrication</b>	with or without lubrication
<b>Theoretical holding force (N) with a pressure of 5 bar with gripping point length 5 cm</b>	Ø 10 = 35 N Ø 16 = 70 N Ø 20 = 105 N Ø 25 = 170 N Ø 32 = 270 N
<b>Length of max. gripping point L with pressure of 5 bar</b>	Ø 10 = 40 mm Ø 16 = 60 mm Ø 20 = 80 mm Ø 25 = 90 mm Ø 32 = 100 mm
<b>Weight</b>	see tables
<b>Repeatability</b>	+/- 0,1mm
<b>Port sizes</b>	Ø 10 - 16 - 20 - 25 = M5 Ø 32 = G1/8
<b>Fluid</b>	filtered air, without lubrication. If lubricated air is used, it is recommended to use oil ISO VG32. Once applied, the lubrication should never be interrupted.

**CODING EXAMPLE**

CGL	-	20	40
-----	---	----	----

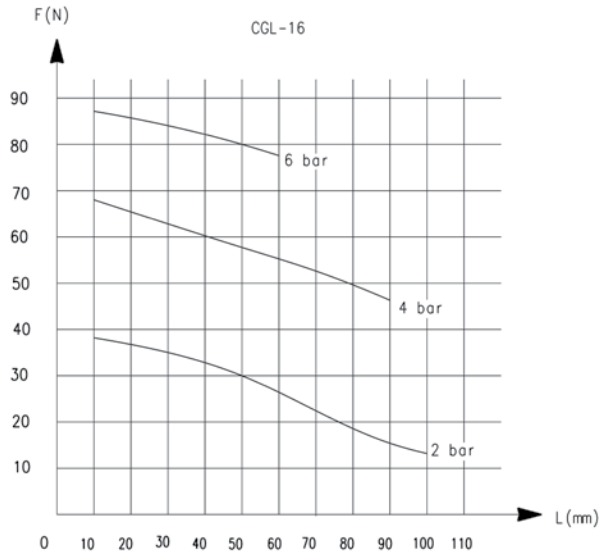
<b>CGL</b>	SERIES
<b>20</b>	SIZES 10 = ø 10 mm 16 = ø 16 mm 20 = ø 20 mm 25 = ø 25 mm 32 = ø 32 mm
<b>40</b>	STROKE

**GRIPPING FORCE CHARACTERISTICS**

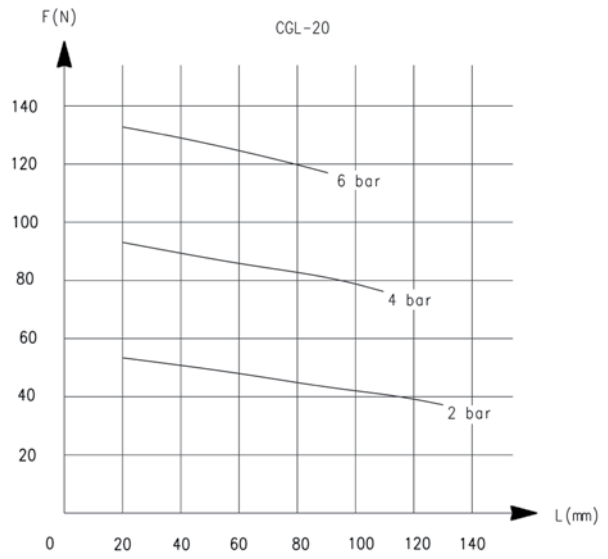


F = Gripping Force  
L = Gripping point length

GRIPPING FORCE CHARACTERISTICS

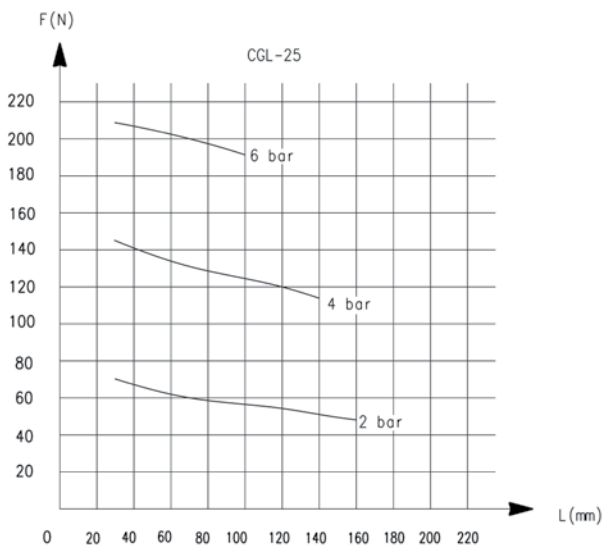


F = Gripping Force  
L = Gripping point length

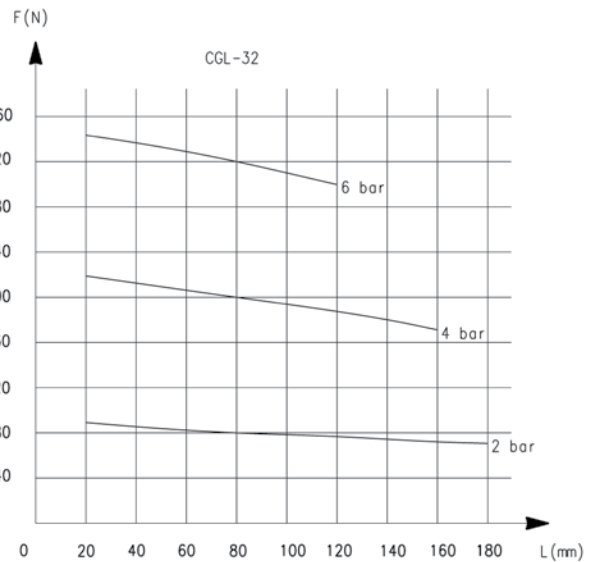


F = Gripping Force  
L = Gripping point length

GRIPPING FORCE CHARACTERISTICS

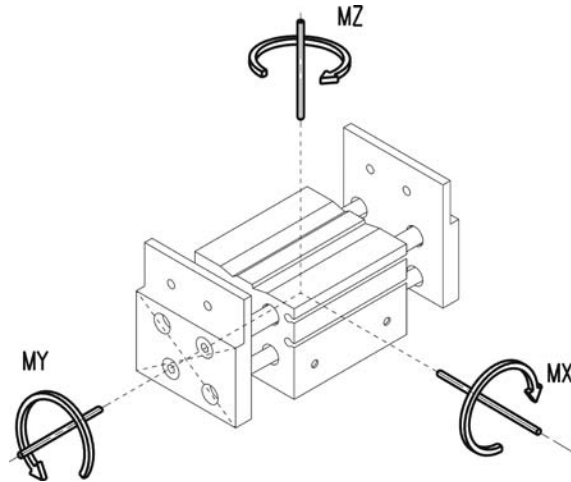


F = Gripping Force  
L = Gripping point length



F = Gripping Force  
L = Gripping point length

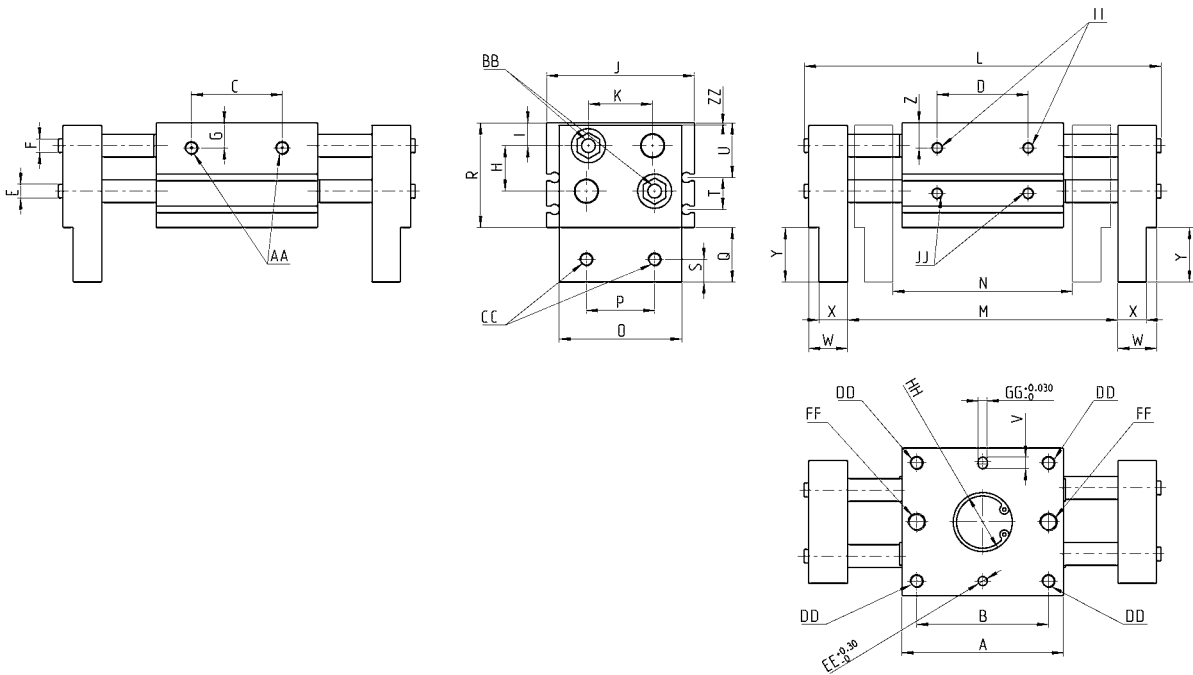
TABLE SHOWING THE LOAD PARAMETERS OF THE FINGERS



Max. torque force permitted					
CGL-... ( Nm )	10	16	20	25	32
<b>Mx</b>	0,86	4,68	9,6	18,6	36
<b>My</b>	0,51	2,80	5,76	11,16	21,6
<b>Mz</b>	0,56	3,04	6,24	12,1	23,4

Wide opening parallel grippers Series CGL

See the dimensions table on page 1.7.25.06



CGL - Dimensions

DIMENSIONS

Mod.	A	B	C	D	L	M	N	Weight (g)	Stroke (mm)
CGL-1020	52	36	30	30	100(80)	76	56	300	20
CGL-1040	68	52	46	46	136(96)	112	72	360	40
CGL-1080	86	70	64	64	174(114)	150	90	440	60
CGL-1630	60	45	26	26	128(98)	98	68	560	30
CGL-1660	90	75	56	56	188(128)	158	98	780	60
CGL-1680	110	95	76	76	228(148)	198	118	1100	80
CGL-2040	71	58	40	40	157(117)	119	79	1000	40
CGL-2080	113	100	82	82	239(159)	201	121	1400	80
CGL-20100	133	120	102	102	279(179)	241	141	1660	100
CGL-2550	88	70	50	50	192(142)	146	96	1720	50
CGL-25100	142	124	104	104	296(196)	250	150	2480	100
CGL-25120	160	142	122	122	334(214)	288	168	3480	120
CGL-3270	110	86	69	69	240(170)	188	118	2940	70
CGL-32120	158	134	117	117	338(218)	286	166	4120	120
CGL-32160	202	178	161	161	422(262)	370	210	5770	160

Mod.	ØE	ØF	G	H	I	J	K	O	P	Q	R	S	T	U	V	W	X	Y	Z	ZZ
CGL-10	6	6	8,5	12,5	8	44	18,2	34	20	15	31	7	12	15	4	10	7	15	8,5	0,5
CGL-16	8	8	9,5	16,5	9	55	22,6	43	25	19	39	8	14	19	4	13	9	19	9,5	0,5
CGL-20	10	10	11	20	10	65	28	54	30	24	46	10	14	24	5	17	12,5	24	11	0,6
CGL-25	12	12	12	24	11	76	33,2	64	40	29	52	12	20	26	6	21	14	29	12	1
CGL-32	16	14	15,5	30	14,5	82	32,2	70	42	32	68	15	25	33	7	24	15	32	15,5	1

Mod.	AA	AA	BB	BB	CC	CC	DD	DD	ØEE	ØEE	ØFF	ØFF	ØGG	ØGG	HH	HH	II	II	JJ	JJ
	Thread	Depth	Thread	Depth	Thread	Depth	Thread	Depth	Thread	Depth	Thread	Depth	Thread	Depth	Thread	Depth	Thread	Depth	Thread	Depth
CGL-10	M5	6	M5	-	M4	-	M4	5	3	3	M5	7	3	3	19	-	M5	6	M5	-
CGL-16	M5	7	M6	-	M5	-	M5	8	3	3	M6	10	3	3	24	-	M5	7	M5	-
CGL-20	M5	6	M6	-	M6	-	M6	9	4	4	M8	10	4	4	26	-	M5	8	M5	-
CGL-25	M5	6	M8	-	M8	-	M8	10	5	4	M10	15	5	4	28	-	M5	6	M5	-
CGL-32	M6	8	M10	-	M10	-	M8	10	6	6	M10	13	6	6	26	-	G1/8	-	-	-