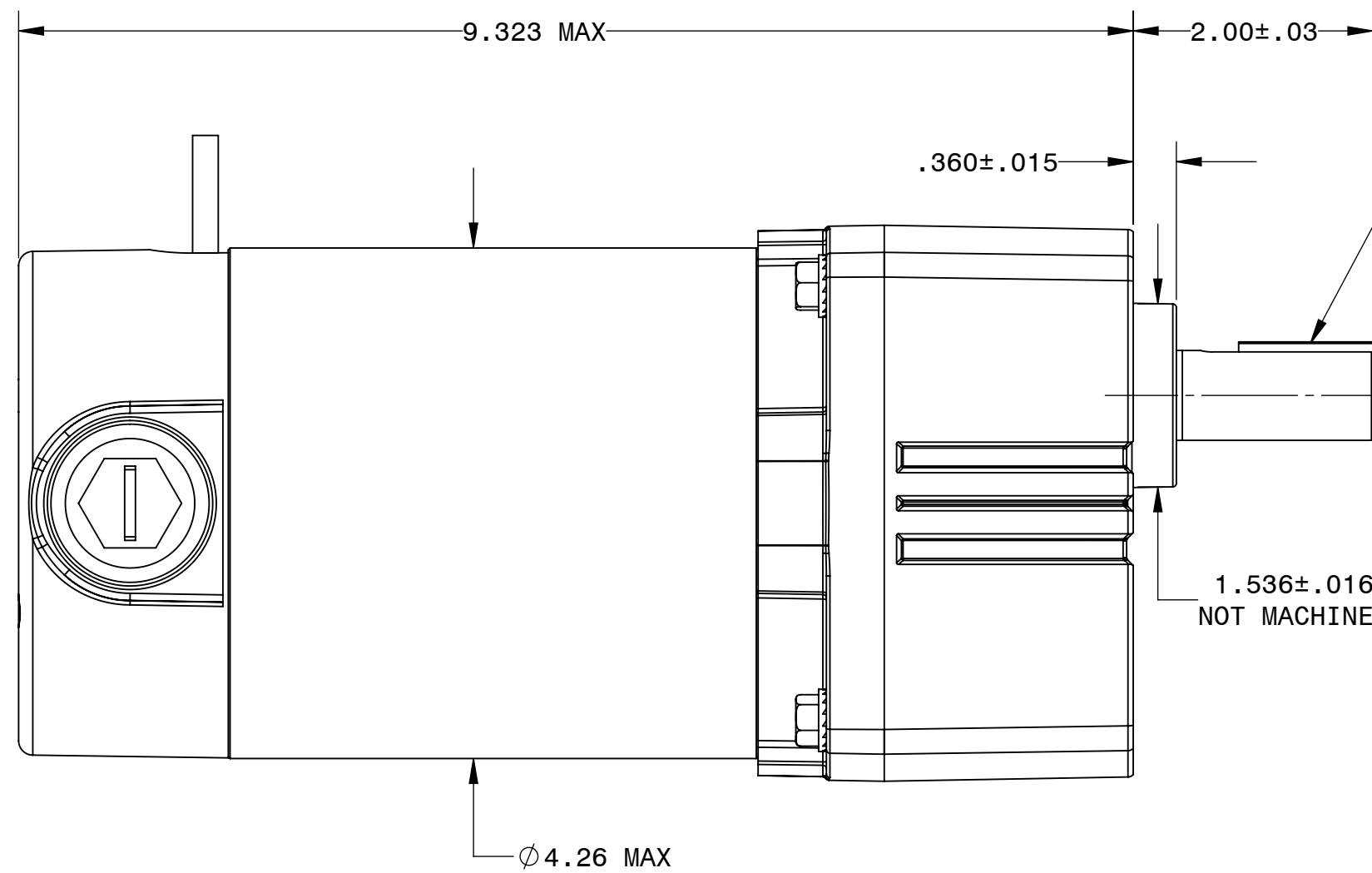
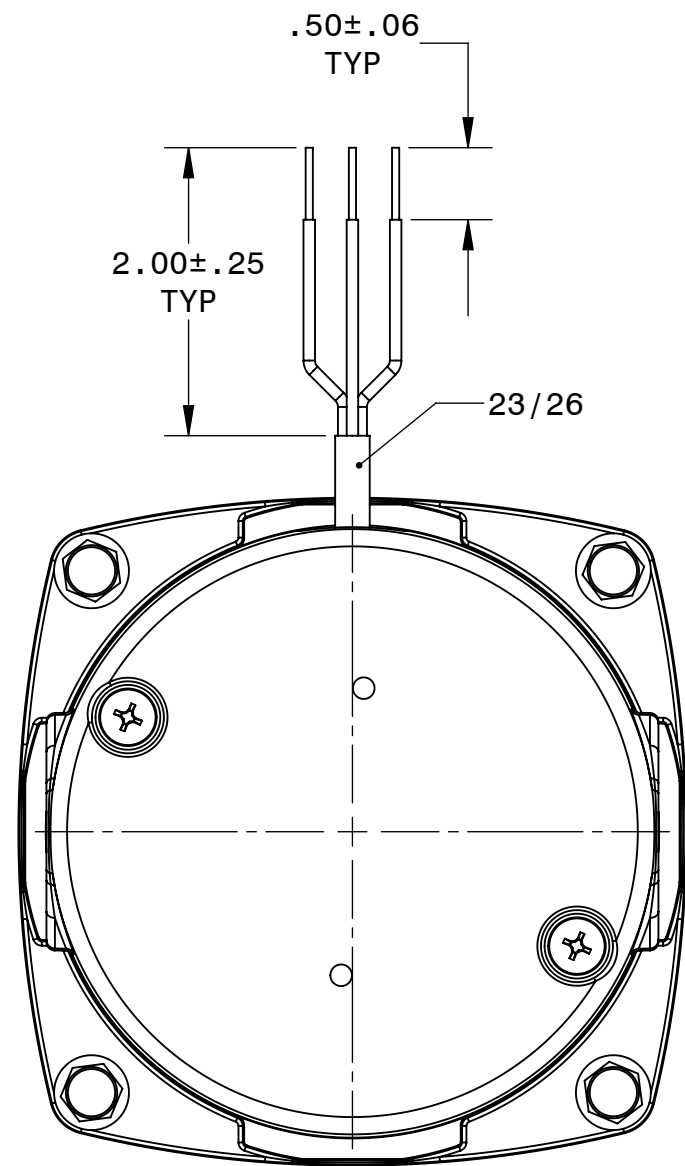


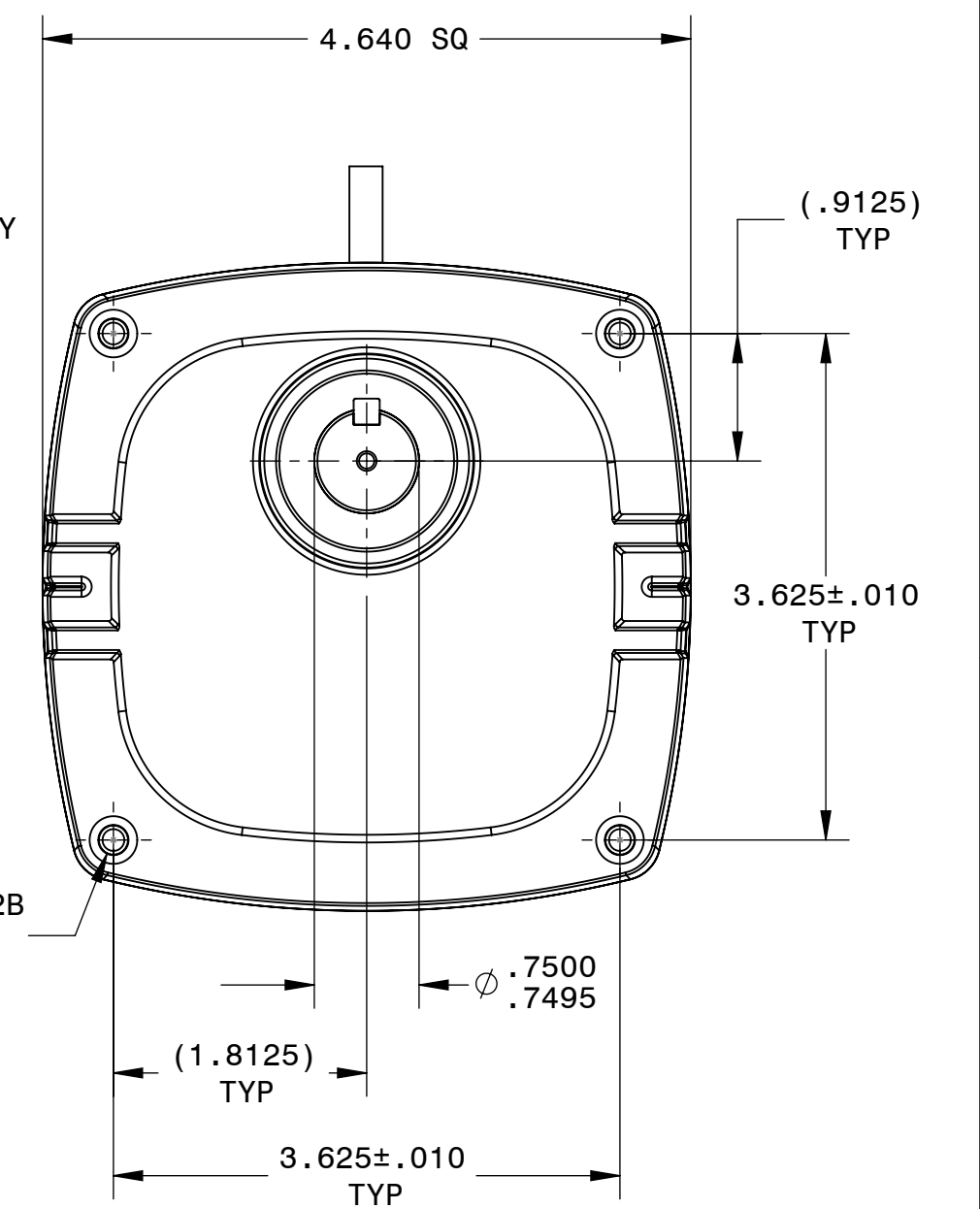
DESCRIPTION:
GEARMOTOR 42A5BEPM-FX

SHEET: 1/2
SCALE: 3:4
C
UNLESS OTHERWISE SPECIFIED:
UNITS ARE IN INCHES [mm]
TOLERANCES: .XX:±.01 .XXX:±.005
ANGLES: X°:±3° X.X°:±0.5°



.1875/.1855 SQ
X 1.12 LONG KEY

[4] 1/4-28 UNF-2B
.50 ↓ MIN



REPRESENTATIVE OF MODEL NUMBER(S):

5040 5041 5042 5043 5044 5045 5046 5047 5048 5049 5067 5068 5069

