

AIR REGULATOR

NRV-500 SERIES (Rc^{1/2} ~ Rc1)

REMO-CON TYPE



GAUGE ON OPTION

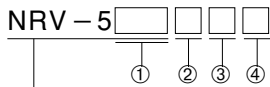
SPECIFICATIONS

FLUID	Filtered Compressed Air
MAXIMUM INLET PRESSURE	1.0MPa
AMBIENT TEMPERATURE	5 ~ 60°C
OPERATION	Remote controlled type (External pilot operated type)
OUTLET PRESSURE ADJUSTING RANGE	0.02 ~ 0.8MPa (within the limits of pilot regulator)
RELIEF	Relieving and Non-relieving

BASIC MODEL NOS. & OTHERS

Pipe Size	MODEL NUMBER		Gauge Port	Mass (kg)
	Relieving	Non-relieving		
Rc ^{1/2}	NRV-504	NRV-504N	Rc ^{1/8} (2 sides)	0.85
Rc ^{3/4}	NRV-506	NRV-506N		2.3
Rc1	NRV-510	NRV-510N		2.1

HOW TO ORDER



AIR REGULATOR NRV-500 SERIES

① Pipe size

04	Rc ^{1/2}
06	Rc ^{3/4}
10	Rc1

② Relief

NIL	Relieving type (Std.)
N	Non-relieving type
C	Relieving type with constant bleed

③ Gauge

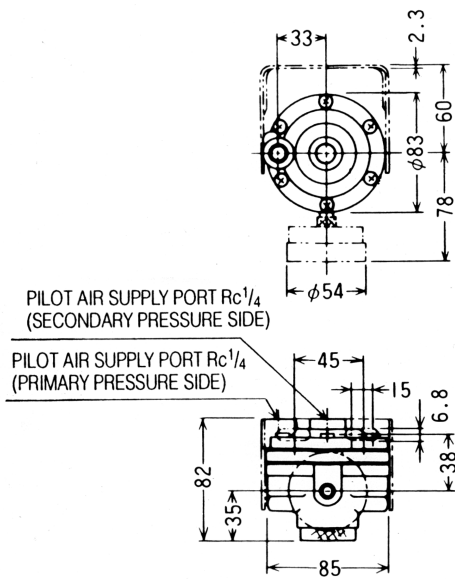
NIL	without Gauge (Std.)
LT	with Gauge of center back connection at secondary side

④ Bracket

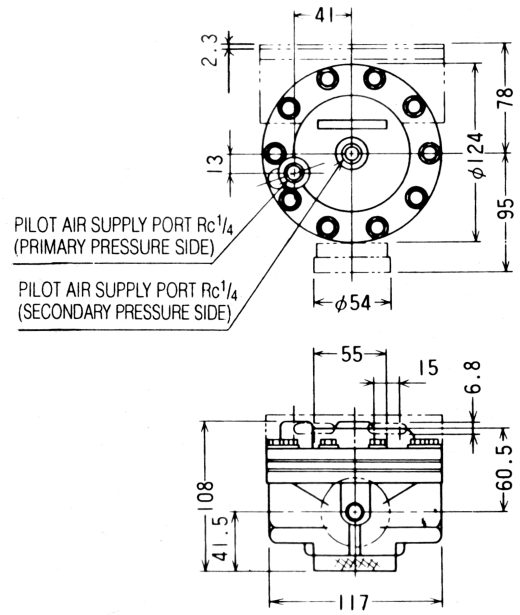
NIL	without Bracket (Std.)
B	with Bracket

DIMENSIONS -mm-

NRV-504 (Rc 1/2)

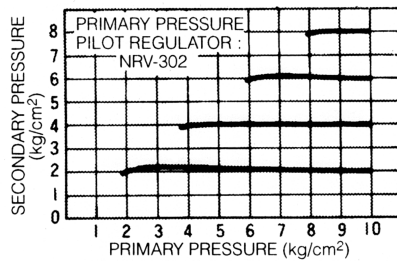


NRV-506, 510 (Rc 3/4, Rc 1)

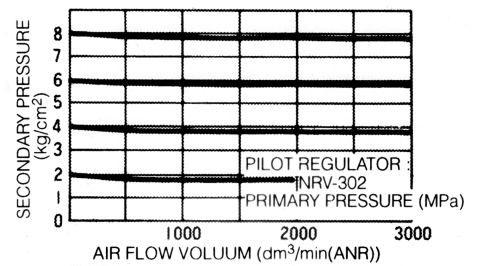


CHARACTERISTIC CURVE

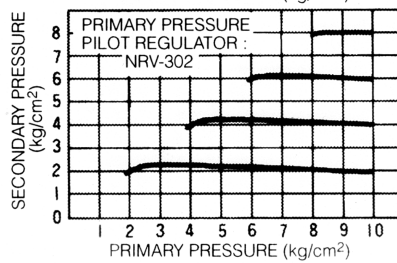
ADJUSTING CHARACTERISTIC CURVE
Rc 1/2 NRV-504



FLOW CHARACTERISTIC CURVE
Rc 1/2 NRV-504



ADJUSTING CHARACTERISTIC CURVE
Rc 1/2 NRV-510



FLOW CHARACTERISTIC CURVE
Rc 1 NRV-510

