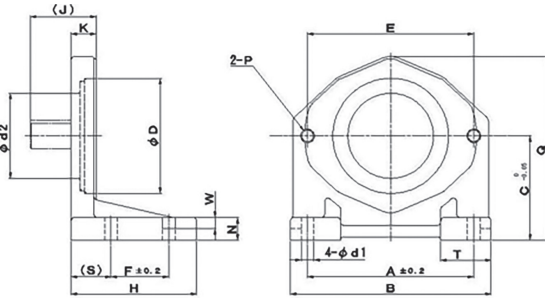


About foot

- Foots for HPP pump, TCP pump and TCM motor are sold as single parts.
- Foot kit includes the followings:
Foot main unit x 1 pc. Bolt x 2 pcs. Washer x 2 pcs.

■Foot kit for HPP pump

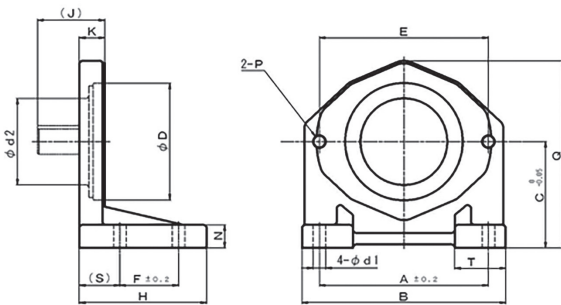


Adaptable pump model	Recommended tightening torque
HPP-VB2V HPP-VC2V HPP-VC3V	30 ~ 35Nm
HPP-VD2V HPP-VD3V-F25 HPP-VD3V-F40	40 ~ 50Nm
HPP-VF2V	45 ~ 55Nm

Model	Applicable pump model (Ones that start with following model designation)	Accessory parts				Dimensions (mm)					
		Bolt	Piece	Washer	Piece	A	B	C	E	F	H
LP02-10	HPP-VB2V HPP-VC2V,HPP-VC3V	TA-A1-10X30	2	WS-S-10	2	127	155	69.8	106	50.8	96
LP04-20	HPP-VD2V HPP-VD3V-F25	TA-A1-12X35	2	WS-S-12	2	146	176	92.1	146	50.8	110
LP04-30	HPP-VD3V-F40										
LP06-20	HPP-VF2V	TA-A1-16X40	2	WS-S-16	2	235	276	109.5	181	76.2	150

Model	Applicable pump model (Ones that start with following model designation)	Dimensions (mm)											Mass (kg)	
		(J)	K	N	P	Q	R	(S)	T	φD	φd1	φd2		W
LP02-10	HPP-VB2V	35	15	15	M10	125	4	28.5	38	82.55 H7(Tolerance)	11	65	—	1.7
	HPP-VC2V,HPP-VC3V	46												
LP04-20	HPP-VD2V HPP-VD3V-F25	61	22	20	M12	162	4	35	44	101.6 H7(Tolerance)	11	75	—	3.9
LP04-30	HPP-VD3V-F40												10	
LP06-20	HPP-VF2V	59	22	20	M16	204.5	4	40	58	126.95 H7(Tolerance)	18	90	—	6.8

■Foot kit for TCP pump and TCM motor



Adaptable pump model	Recommended tightening torque	Adaptable pump model	Recommended tightening torque
TCP2 TCP22 TCP2T TCM2	30 to 35Nm	TCP4 TCP*4 TCP4T TCM4	65 to 75Nm
TCP3 TCP*3 TCP3T TCM3	40 to 50Nm	TCP5 TCP*5 TCP5T TCM5	120 to 135Nm

Model	Applicable pump model (Ones that start with following model designation)	Accessory parts				Dimensions (mm)					
		Bolt	Piece	Washer	Piece	A	B	C	E	F	H
LP02-10	TCP2,TCP2T,TCM2 TCP22	TA-A1-10X30	2	WS-S-10	2	127	155	69.8	106	50.8	96
LP04-10	TCP3,TCP3T,TCM3 TCP23,TCP33	TA-A1-12X40	2	WS-S-12	2	146	176	92.1	146	50.8	110
LP06-10	TCP4,TCP4T,TCM4 TCP24,TCP34,TCP44	TA-A1-16X45	2	WS-S-16	2	235	276	109.5	181	76.2	150
LP08-10	TCP5,TCP5T,TCM5 TCP25,TCP35,TCP45,TCP55	TA-A1-20X60	2	WS-S-20	2	295.3	338	139.7	229	139.7	210

Model	Applicable pump model (Ones that start with following model designation)	Dimensions (mm)											Mass (kg)
		(J)	K	N	P	Q	(S)	T	φD	φd1	φd2		
LP02-10	TCP2,TCP2T,TCM2 TCP22	46	15	15	M10	125	28.5	38	82.55 H7(Tolerance)	11	65	—	1.7
LP04-10	TCP3,TCP3T,TCM3 TCP23,TCP33	61.5	22	20	M12	162	35	44	101.6 H7(Tolerance)	11	75	—	4.0
LP06-10	TCP4,TCP4T,TCM4 TCP24,TCP34,TCP44	86	22	20	M16	204.5	40	58	126.95 H7(Tolerance)	18	90	—	6.8
LP08-10	TCP5,TCP5T,TCM5 TCP25,TCP35,TCP45,TCP55	94	26	26	M20	258.2	45	64	152.35 H7(Tolerance)	20	115	—	13.3