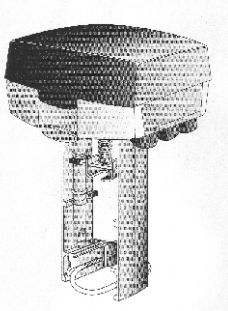


## Actuator for 2 and 3 way valves type MZ/MZF/MJF/VZ/VZF/VSF



The actuators type ALI 1576/T 1 ALI 1676/T can be used with 2 and 3 way valves type MZ / MZF / VZ / VZF / VSF / MJF from diameter ½ inche up to 150 mm

The actuator will adapt himself to any stroke during installation and initialisation procedure

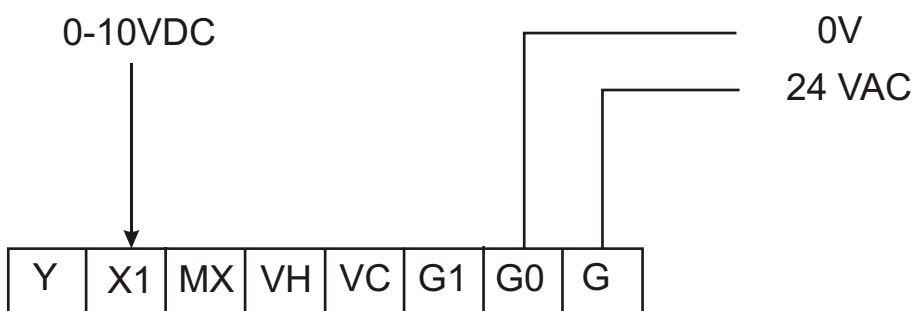
Control signal 0-10VDC modulating

The actuator has a manual override lever

### Technical specifications

Power supply	24 VAC +-10% 50/60hz
Control signal	0-10 VDC
Power supply wiring	1.5 mm <sup>2</sup> max 100 m
Signal wiring	0.5 mm <sup>2</sup> max 200 m
Stroke	10-52 mm
Stroke time	35 sec max
Temperature	-10/50°C
Humidity	max 90% RV
Protection level	IP 54
Weight	1.8 kg
Standard	EN 500.81-1-1992 EN 500.82-1-1992

### Electrical wiring



### DIP switch position (default configuration by factory)

- SW1 --> OFF
- SW2 --> OFF
- SW3 --> OFF
- SW4 --> OFF
- SW5 --> OFF
- SW6 --> OFF
- SW7 --> OFF
- SW8 --> OFF



SW9 : for initialisation see commissioning procedure

## Commissioning of the actuator

Step 1) screw the locknut of 8 mm on the plug of the valve as far as possible

Step 2) Screw the adapter on the thread of the valve as far as possible, (adapter with letter B for MZF valve (flanged valves from 65 mm ---> 100 mm) and with letter A for MZ valves (threaded valve for 1/2" to 2"))

Step 3) Screw the adapter for the plug of the valve as far as possible (adapter with letter F for MZF valves and letter D for MZ valves)

Step 4) Screw the locknut of the adapter as far as possible

Step 5) Mount the actuator on the valves while tightening the screws

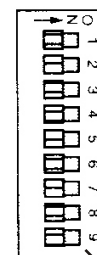
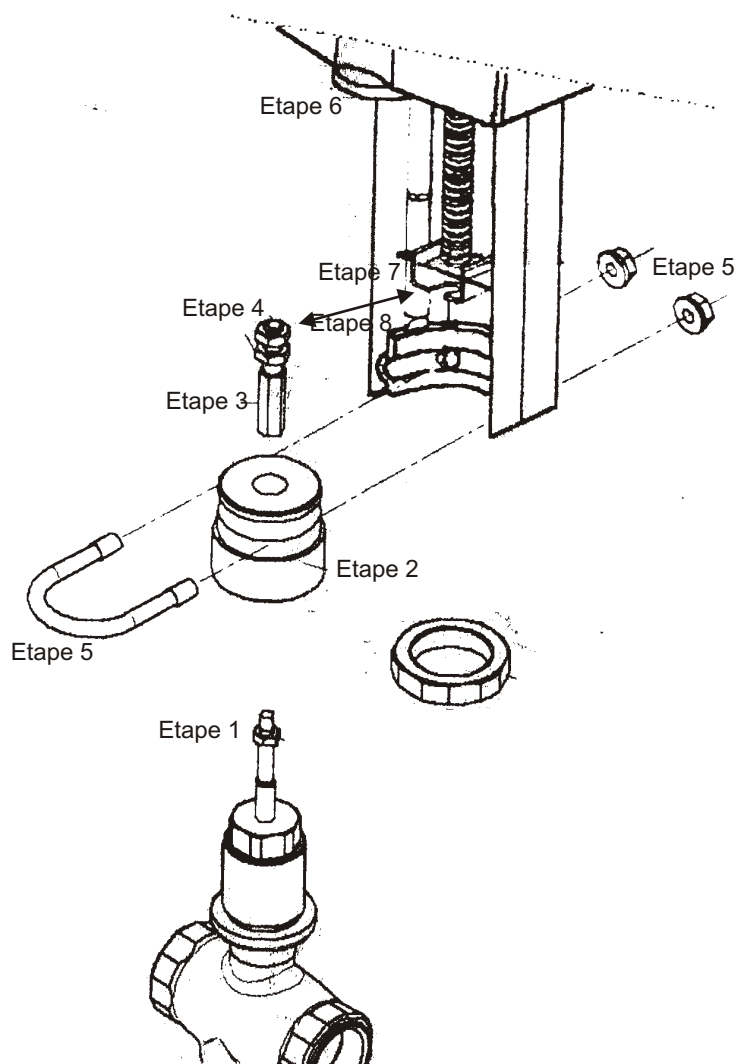
Step 6) Lower the plug of the actuator by using the handlever (red color) untill reaching the adapter screwed on the plug of the valve

Step 7) Place the square nut into the slot at the lower end of the plug of actuator

Step 8) Screw the valve plug adapter up to the square nut and thighten all the screw and nuts

Step 9) Wire the actuator according to the electrical wiring prescriptions, for the replacement of (ALE 1301, ALE 1351, ALE 1302, ALE 1352, ALE 1326, ALE 1327, ALI 1576, ALI 1676, ALI1577, ALI 1577, fix the wire of terminal 8 on terminal G, wire of terminal 10 on terminal G0, and wire of termnal 9 on terminal X1

Step 10) place dip switch nr 9 temporarily on position ON, let the actuator automatically calculate the stroke of the valve untill he stops, and ther reposition DIP switch 9 in OFF position and the actuator is ready for use.



Etape10