

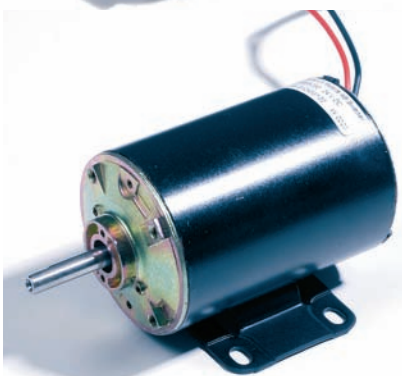
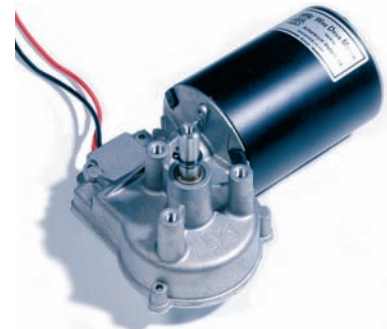
# ANKARSRUM MOTORS AB

## DC MOTORS

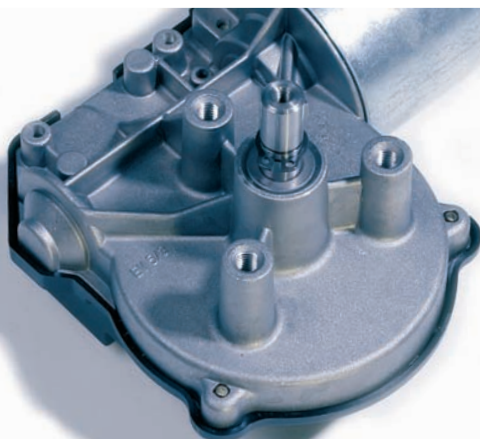


*Ankarstrum Motors AB manufacture DC motors aimed at customers that require a bit more from their motor supplier. Our motor design is developed to fit wire feed applications, hospital beds, garage door openers, agricultural equipment, marine and automotive applications. We are always interested in new applications. Our short lead time, high flexibility and cost effective production are key-elements relaying a strong market advantage to our customers. We design and build motors custom-made for unique demands in both low as well as high volumes.*

*Ankarstrum Motors AB is an independent subsidiary of Ankarstrum Industries AB, located in Ankarstrum, Sweden.*



The knowledge in motor design and gearbox technology has made Ankarstrum Motors AB the obvious choice for the wire feed/welding industry. By using self-locking and encoder technology, our motors perform with great accuracy. As a part of our service, Ankarstrum Motors AB also offer project development customer service during and beyond the product life. It begins at pre-study and continues as a part of our quality system during and beyond implementation. This is why more markets find our technology and manufacturing ability their choice for the latest generation of applications.

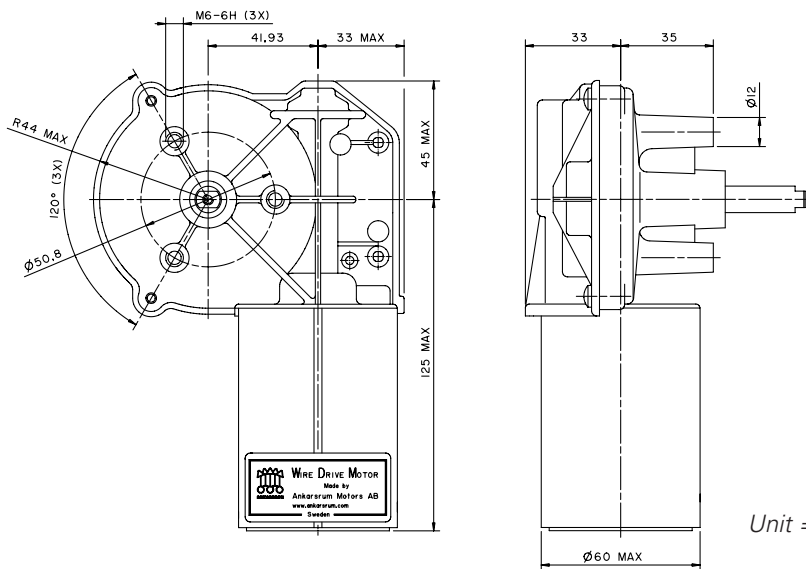


## Typical motor data on output shaft

(customized on request)

Voltage : U = 50 Volts DC max.

Motor type	Gear box	Speed (rpm)	Torque (Nm) Max	Starting torque (Nm) Max	Ratio	Optional Encoder (pulse/rotor revolution)	Optional Selflocking
KSV 4030	Plastic	15 - 225	4	25	1:37.5 / 1:75	No	No
KSV 4030	Aluminium	15 - 260	5	45	1:37.5 / 1:75 / 1:89	60 - 100	Yes
KSV 5035	Aluminium	10 - 270	7	75	1:24 / 1:48	60 - 100	No
KP 5035	No	2000 - 8000	0.3	1.8	1:1	Optional	No



Performance and measurement shown are an example only; Motors are designed according to customers specifications. Please contact us for detailed information.

### Double Lifetime!

We will launch a new series of the KSV 5035-motor with double lifetime. All other measurements are unchanged.

Unit = mm

