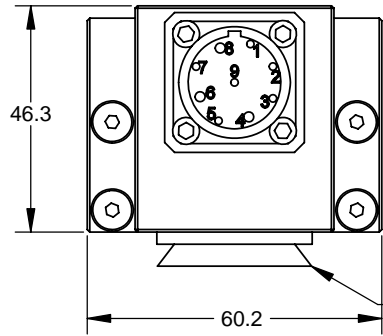


PROPERTY OF ATI INDUSTRIAL AUTOMATION, INC.  
 NOT TO BE REPRODUCED IN ANY MANNER EXCEPT ON  
 ORDER OR WITH PRIOR WRITTEN AUTHORIZATION OF ATI.

**" DANGER! - For electrical modules using > 60VDC or 42 VAC, NO contact should be attempted before removing power. This especially includes separation or insertion of the mating connectors or any contact with the tool changer or its components."**

Rev.	Description	Initiator	Date
02	ECO 5942: Added "Danger! remove power" note.	CDM	12/28/2007

UDK10 Master Module  
(9120-UDK10-M)

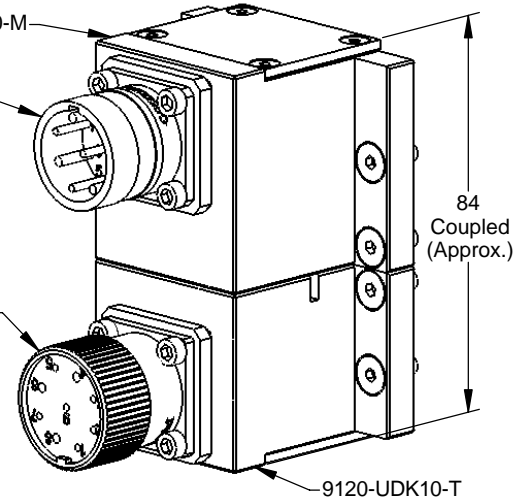


Servicable Part  
 V-ring Seal  
 PN 4010-0000030-01

9120-UDK10-M

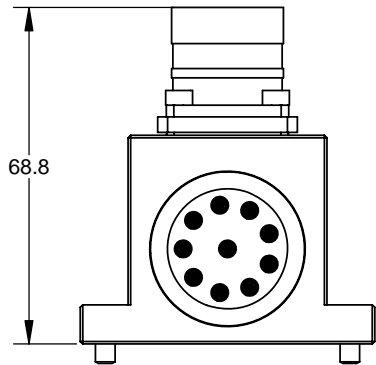
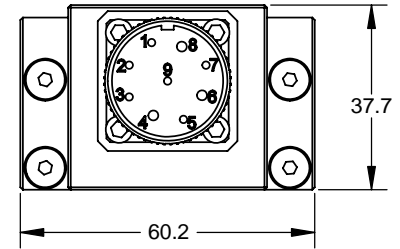
RC-63P1N122300  
 Male Connector

RC-63S1N12Y300  
 Female Connector



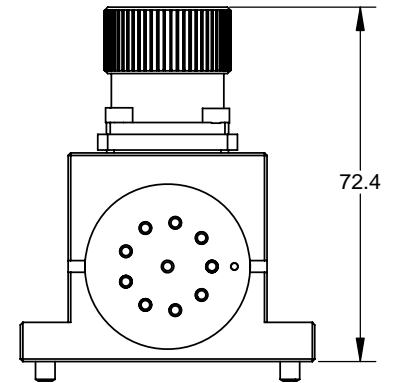
Isometric View

UDK10 Tool Module  
(9120-UDK10-T)



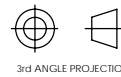
UDK10 Pin Out

UDK10-M RC-63P1N122300 Male Connector	UDK10-T RC-63S1N12Y300 Female Connector
1	1
2	2
3	3
4	4
5	5
6	6
7	7
8	8
9	9



Notes:  
 1. Each module housing is shielded and potted

NOTES: UNLESS OTHERWISE SPECIFIED  
 DO NOT SCALE DRAWING. DRAWN IN SOLIDWORKS.  
 ALL DIMENSIONS ARE IN MILLIMETERS.



3rd ANGLE PROJECTION



DRAWN BY: J.Snape 9/1/04	TITLE: UDK10-M with UDK10-T		
CHECKED BY: JHS 9/2/04	SCALE: 1:1	SIZE: B	DRAWING NUMBER: 9630-20-UDK10M UDK10T-02
WEIGHT LBS: -----	PRODUCT RELEASE # 040423-2 DATE: SHEET 1 OF 1		
ASSEMBLY REF:			