

PRODUCT INFORMATION PACKET



Model No: C145T14FB13D

Catalog No: 121093.00

..1 1/2HP..1440RPM.145.IP54.220/380V.3PH.50HZ.CONT.40C.1.15SF.RIGID.C145T14FB13D.....50
HERTZ.NOT....1.1kW...
50 Hz



Regal and Leeson are trademarks of Regal Beloit Corporation or one of its affiliated companies.

©2018 Regal Beloit Corporation, All Rights Reserved. MC017097E



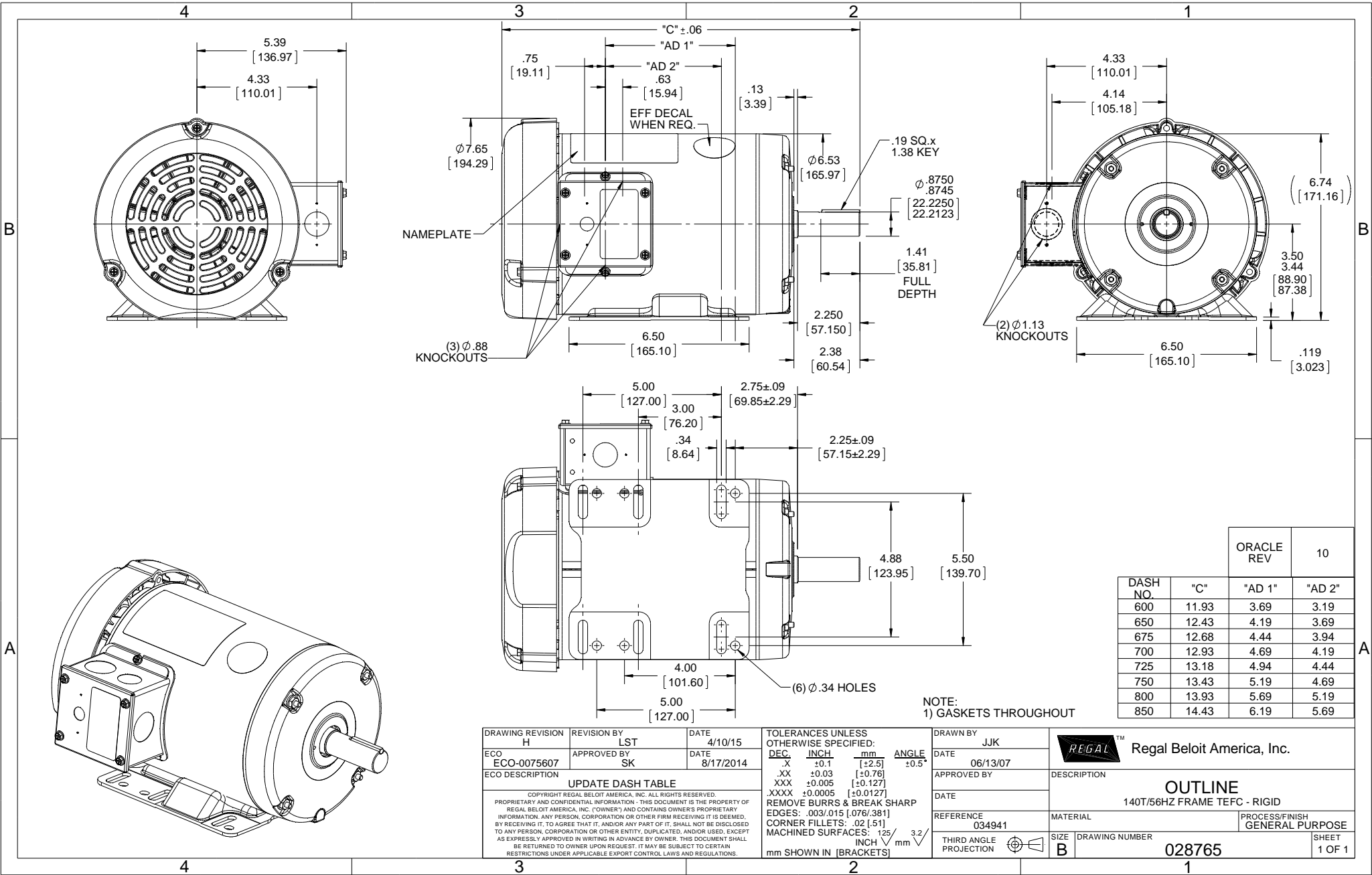


Nameplate Specifications

Output HP	1.50 Hp	Output KW	1.1 kW
Frequency	50 Hz	Voltage	220/380/440 V
Current	5.8/3.3/2.9 A	Speed	1440 rpm
Service Factor	1.15	Phase	3
Efficiency	75.5 %	Duty	Continuous
Insulation Class	F	Design Code	NO DESIGN CODE
KVA Code	K	Frame	145T
Enclosure	Totally Enclosed Fan Cooled	Overload Protector	No
Ambient Temperature	40 °C	Drive End Bearing Size	6205
Opp Drive End Bearing Size	6203	UL	Recognized
CSA	Y	CE	N
IP Code	54		

Technical Specifications

Electrical Type	Squirrel Cage Induction Run	Starting Method	Across The Line
Poles	4	Rotation	Reversible
Mounting	Rigid base	Motor Orientation	HORIZONTAL
Drive End Bearing	BALL	Opp Drive End Bearing	BALL
Frame Material	Rolled Steel	Shaft Type	T
Overall Length	12.43 in	Frame Length	6.50 in
Shaft Diameter	0.875 in	Shaft Extension	2.25 in
Assembly/Box Mounting	F1 ONLY		
Outline Drawing	028765-650	Connection Diagram	005381.01



DASH NO.	"C"	"AD 1"	"AD 2"	ORACLE REV	10
600	11.93	3.69	3.19		
650	12.43	4.19	3.69		
675	12.68	4.44	3.94		
700	12.93	4.69	4.19		
725	13.18	4.94	4.44		
750	13.43	5.19	4.69		
800	13.93	5.69	5.19		
850	14.43	6.19	5.69		

NOTE:
1) GASKETS THROUGHOUT

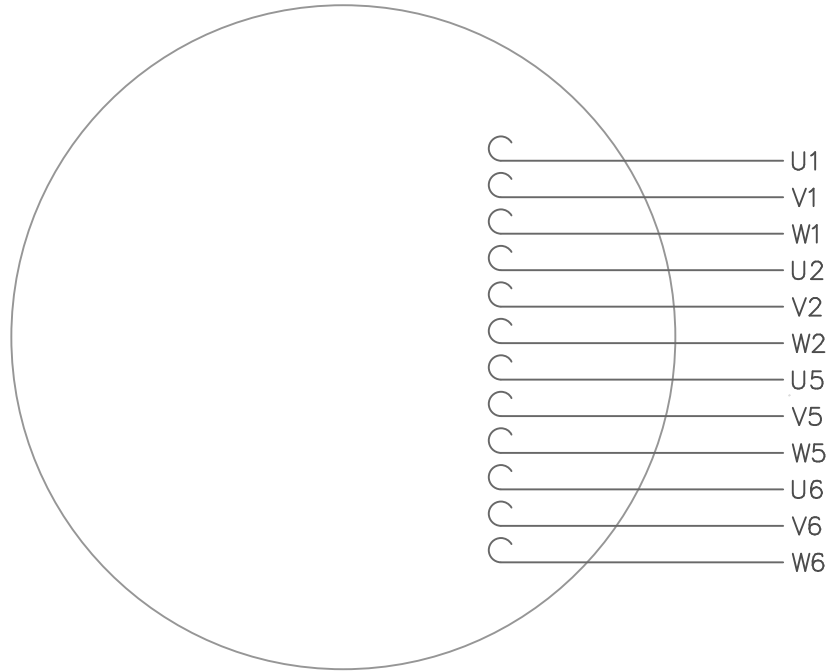
DRAWING REVISION H	REVISION BY LST	DATE 4/10/15
ECO ECO-0075607	APPROVED BY SK	DATE 8/17/2014
ECO DESCRIPTION UPDATE DASH TABLE		
<small>COPYRIGHT REGAL BELOIT AMERICA, INC. ALL RIGHTS RESERVED. PROPRIETARY AND CONFIDENTIAL INFORMATION - THIS DOCUMENT IS THE PROPERTY OF REGAL BELOIT AMERICA, INC. (OWNER) AND CONTAINS OWNER'S PROPRIETARY INFORMATION. ANY PERSON, CORPORATION OR OTHER FIRM RECEIVING IT IS DEEMED, BY RECEIVING IT, TO AGREE THAT IT, AND/OR ANY PART OF IT, SHALL NOT BE DISCLOSED TO ANY PERSON, CORPORATION OR OTHER ENTITY, DUPLICATED, AND/OR USED, EXCEPT AS EXPRESSLY APPROVED IN WRITING IN ADVANCE BY OWNER. THIS DOCUMENT SHALL BE RETURNED TO OWNER UPON REQUEST. IT MAY BE SUBJECT TO CERTAIN RESTRICTIONS UNDER APPLICABLE EXPORT CONTROL LAWS AND REGULATIONS.</small>		

TOLERANCES UNLESS OTHERWISE SPECIFIED:			
DEC	INCH	mm	ANGLE
.X	+0.1	[+2.5]	±0.5°
.XX	±0.03	[±0.76]	
.XXX	±0.005	[±0.127]	
.XXXX	±0.0005	[±0.0127]	
REMOVE BURRS & BREAK SHARP EDGES: .003/.015 [0.076/.381]			
CORNER FILLETS: .02 [51]			
MACHINED SURFACES: 125 INCH 3.2 / mm			
mm SHOWN IN [BRACKETS]			

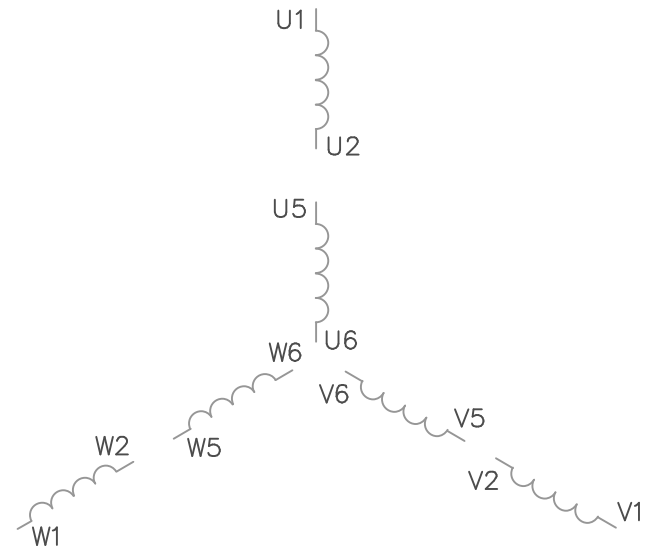
DRAWN BY JJK	DATE 06/13/07
APPROVED BY	DATE
REFERENCE 034941	THIRD ANGLE PROJECTION

Regal Beloit America, Inc.	
DESCRIPTION OUTLINE 140T/56HZ FRAME TEFC - RIGID	
MATERIAL	PROCESS/FINISH GENERAL PURPOSE
SIZE B	DRAWING NUMBER 028765
	SHEET 1 OF 1

VIEW FROM OUTSIDE OF MOTOR AT SWITCH END.



LINE LEADS



VOLTAGE	L1	L2	L3	JOIN
(2Δ) LOW	U1,W2 U5,W6	V1,U2 V5,U6	W1,V2 W5,V6	----
(2Y) MEDIUM	U1,U5	V1,V5	W1,W5	(U2,V2,W2) (U6,V6,W6)
(1Δ) HIGH	U1,W6	V1,U6	W1,V6	(U2,U5) (V2,V5) (W2,W5)

TOLERANCES UNLESS OTHERWISE SPECIFIED

DECIMALS

.00 ± .01

.000 ± .005

.0000 ± .0005

FRACTIONS ± 1/64

ANGLES ± 1/2°

INCH/MM

LEESON ELECTRIC CORPORATION

DRAWN GWS 2/23/96

CH'K'D.

APPR.

SCALE 1=1

REF. 005352 PG 3

FMF

TITLE

MAT'L.

FINISH

EXT. WIRING DIAGRAM

TYPE "T" W/O PROTECTOR

DECAL - 080590

SIZE

A

DRAWING NO.

005381-01

STOCK

1 REDRAWN TO CURRENT STANDARDS

NO. REVISION

DBT

BY

05/30/97

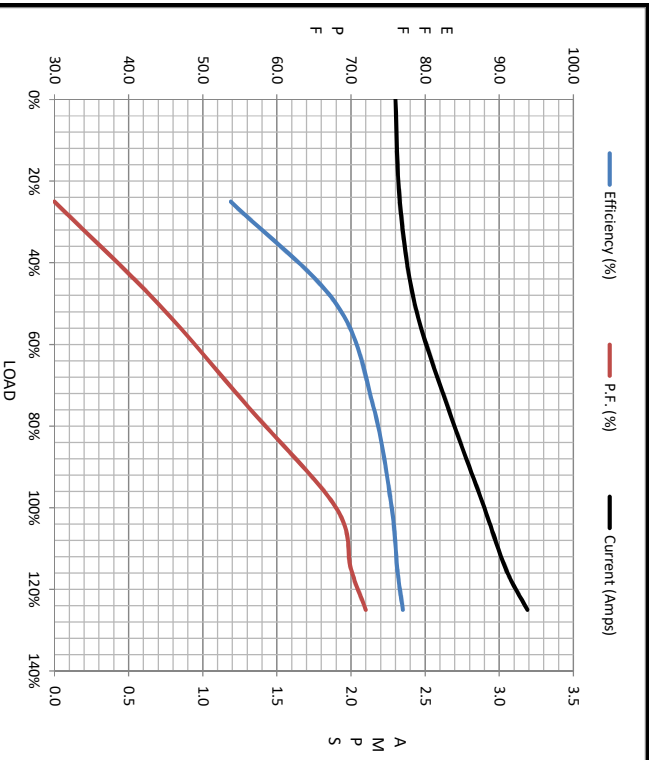
DATE

THIS DRAWING IN DESIGN AND DETAIL IS OUR PROPERTY AND MUST NOT BE USED EXCEPT IN CONNECTION WITH OUR WORK ALL RIGHTS OF DESIGN AND INVENTION ARE RESERVED



Motor Load Data								
Load	0%	25%	50%	75%	100%	115%	125%	LR
Current (Amps)	2.30	2.33	2.43	2.65	2.90	3.0	3.2	17.7
Torque (ft-lb)	0.00	1.35	2.70	4.1	5.4	6.1	6.8	20.7
RPM	1500	1466	1451	1438	1423	1417	1407	0
Efficiency (%)		53.8	68.0	73.0	75.5	76.3	77.0	
P.F. (%)	0.0	30.0	44.0	56.0	68.0	70.0	72.0	0.0

Motor Speed Data						Information Block																					
Speed (RPM)	LR	Pull-Up	BD	Rated	Idle	HP	Sync. RPM	Frame	Enclosure	Construction	Voltage	Frequency	Design	LR Code letter	Service Factor	Temp Rise @ FL	Duty	Ambient	Elevation	Rotor/Shaft wk ²	Ref Wdg	Sound Pressure @ 1M	VFD Rating	Outline Dwg	Conn. Diag	Additional Specifications:	
0		750	1380	1423	1500	1.5	1500	140	IP54	NA	220/380/440	50	B	K	1.15	85	CONT	40 °C	1,000	0.11	LB-Fk	0	NONE	028765-650	005381.01		
Current (Amps)	17.7	16.3	10.6	2.90	2.30																						
Torque (ft-lb)	20.7	20.8	23.8	5.4	0.00																						



R1	R2	X1	X2	Xm
0.0000	0.0000	0.0000	0.0000	0.0000

