

NOTE:
 THE DRAWING IS THE PROPERTY OF QUALITROL CORPORATION AND IS LOANED ONLY ON THE CONDITION THAT IT WILL BE USED TO FACILITATE THE PURPOSE FOR WHICH INTENDED AND NOT BE REPRODUCED, COPIED OR OTHERWISE DISPOSED OF, AND IS NOT TO BE USED IN WHOLE OR PART FOR FURNISHING INFORMATION RELATIVE TO THE MAKING OF DRAWINGS, PARTS APPARATUS OR PARTS THEREOF, EXCEPT BY WRITTEN ORDER FROM QUALITROL CORPORATION.

MODEL NO. SWT-648

NOTE:

- 1.) UNIT PASSES HI-POT TEST;
 2000 VOLTS BETWEEN CONNECTOR
 TERMINALS AND GROUND FOR 60 SECONDS.

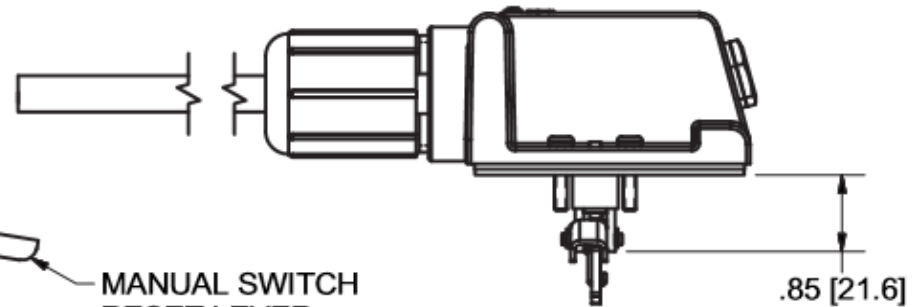
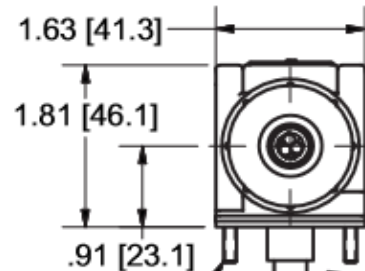
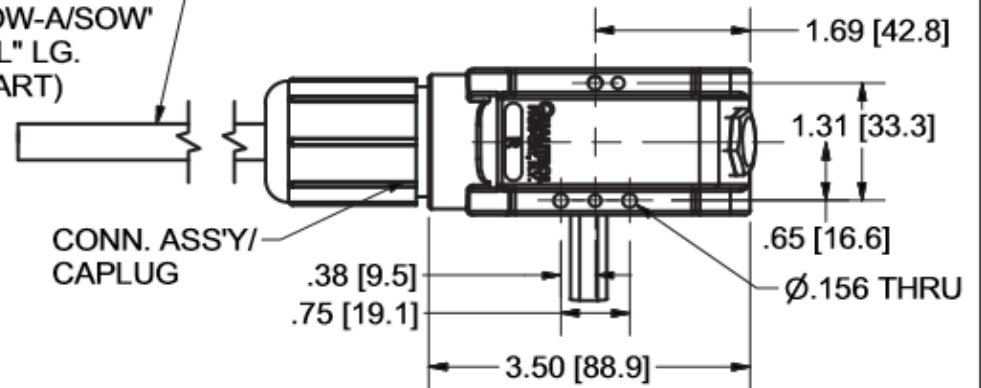
SWITCH OPERATION:

- WHEN ALARM SWITCH IS MOUNTED ON PRESSURE RELIEF
 DEVICE, RED AND BLUE ARE CLOSED.
- SHOULD THE MECHANICAL RELIEF DEVICE BE CALLED
 UPON TO OPERATE; RED OPENS ON BLUE AND CLOSSES
 ON BLACK.
- RED AND BLUE WILL REMAIN OPEN UNTIL SWITCH
 RESET LEVER IS MANUALLY DEPRESSED.

SWITCH RATINGS:

ENEC/CQC: 11(3) A, 125/250 VAC
 UL/cUL: 11(3)A, 125/250 VAC
 UL FILE#: E12252

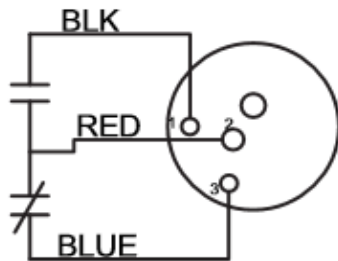
#16 GA. 3 COND.
 TYPE 'SOW-A/SOW'
 CABLE, "L" LG.
 (SEE CHART)



(3) MOUNTING SCREWS

MANUAL SWITCH
 RESET LEVER

ACTUATOR



DEV-WIR-3A01
 SHOWN IN NON-ALARM
 STATE

| | | | | | |
|-------|----------|-----------|--------|-------------|---------------|
| 34603 | 5-4-17 | SWT-648-4 | 48.00 | CON-659-6 | INCLUDED |
| 34603 | 5-4-17 | SWT-648-3 | 150.00 | CON-659-16 | INCLUDED |
| 34603 | 5-4-17 | SWT-648-2 | 72.00 | CON-659-2 | INCLUDED |
| 34603 | 5-4-17 | SWT-648-1 | - | NONE | INCLUDED |
| | REVISION | PART NO. | "L" | CONN. ASS'Y | MTG. HARDWARE |

SHEET 1 OF 2

| LET | DATE | ALTERATION | C.N. |
|-----|---------|---|-------|
| - | 5-4-17 | VNT-014-3 WAS VNT-013-1 | 34603 |
| - | 7-3-13 | ADDED IP65 VENT TO ALARM SWITCH | 31508 |
| - | 4-13-12 | UPDATED SWITCH RATINGS REDRAWN IN INVENTOR | 30164 |

QUALITROL

DIMENSIONS AND TOLERANCES IN
 ACCORDANCE WITH ASME Y14.5M-1994

PH. (585) 586-1515
 FAX (585) 377-0220

1385 FAIRPORT ROAD
 FAIRPORT, NY 14450
 FORM 0-473 REV.D 10/22/02

TITLE: ALARM SWITCH

MODEL NO. SWT-648