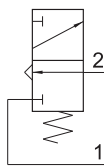




## 305 MB UL

3/2 NC attacchi filettati M5 (laterali),  
interfaccia per attuatore da pannello

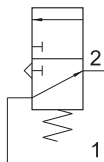
3/2 NC M5 threaded ports (on the side),  
actuator adaptor for panel mounting



## 315 MB UL

3/2 NA attacchi filettati M5 (laterali),  
interfaccia per attuatore da pannello

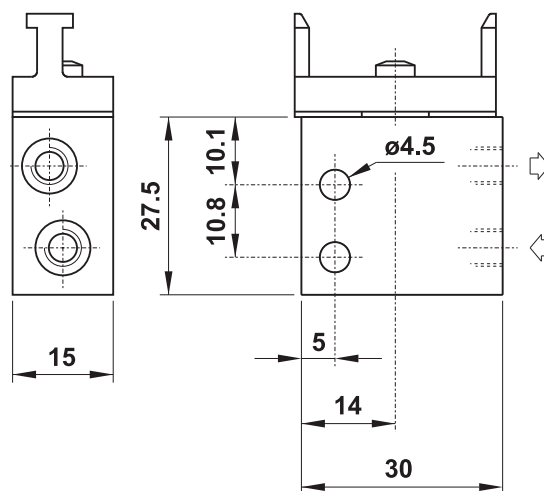
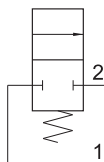
3/2 NO M5 threaded ports (on the side),  
actuator adaptor for panel mounting



## 205 MB UL

2/2 NC attacchi filettati M5 (laterali),  
interfaccia per attuatore da pannello

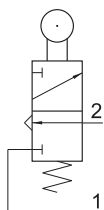
2/2 NC M5 threaded ports (on the side),  
actuator adaptor for panel mounting



## 305 MR UL

3/2 NC attacchi filettati M5 (laterali),  
leva rullo

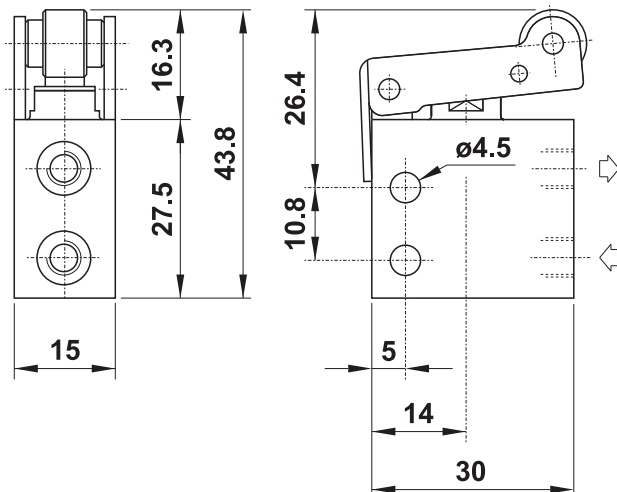
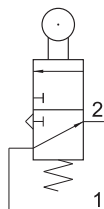
3/2 NC M5 threaded ports (on the side),  
roller lever



## 315 MR UL

3/2 NA attacchi filettati M5 (laterali),  
leva rullo

3/2 NO M5 threaded ports (on the side),  
roller lever



## 205 MR UL

2/2 NC attacchi filettati M5 (laterali),  
leva rullo

2/2 NC M5 threaded ports (on the side),  
roller lever

