

# Globe Valves

## Type 03021



### Globe Valves, PN16

Bronze body, screwed topwork in brass

**Part No. 03021.X.0160**

**Part No. 03021.X.5160 Globe/Check Valve**

Flanged connection acc. to DIN EN 1092-3 PN16



### Applications:

Suitable for non-toxic, non-inflammable fluids, gases and vapours.

The laws, regulations and standards are to observe for the range of application.

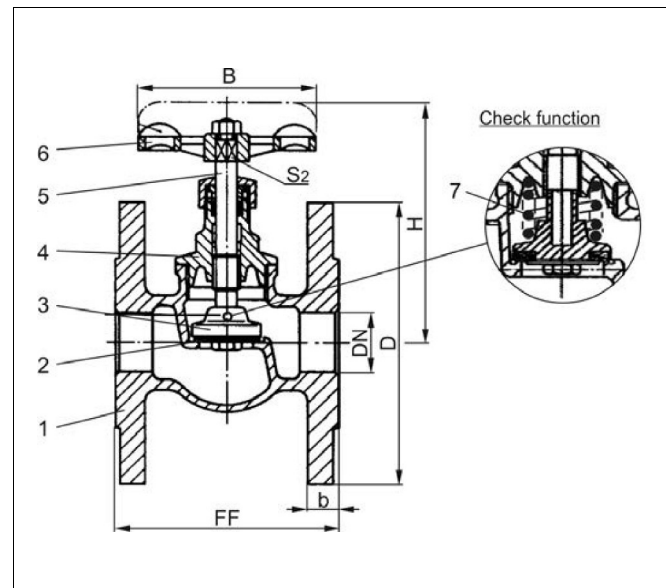
Working temperatures and pressures:

up to max. 16.0 bar: -10°C / +14°F (263K) up to +80°C / +176°F (353K)

up to max. 10.0 bar: -10°C / +14°F (263K) up to +120°C / +248°F (393K)

up to max. 6.0 bar: -10°C / +14°F (263K) up to +160°C / +320°F (433K)

Materials	DIN EN	ASTM
1 Body	CC491K	B 62 UNS C83600
2 Valve seal	PTFE	
3 Disc	CW614N	B 283 UNS C38500
4 Headpiece	CW614N	B 283 UNS C38500
5 Stem	CW614N	B 283 UNS C38500
6 Handwheel	Aluminium - diecasting	
7 Spring	1.4310	A 313 Grade 301



**Essential:** When ordering or requesting an offer please indicate flow medium, working pressure and working temperature.

Standard marking acc. to Pressure Equipment Directive 2014/68/EU (PED).



Type 03021	Technical data					
<b>Nominal size</b>	<b>DN</b>	<b>20</b>	<b>25</b>	<b>32</b>	<b>40</b>	<b>50</b>
Dimension code	.X.	0200	0250	0320	0400	0500
Face-to-face dimension	FF	80	90	95	110	125
Height	H	95	105	120	130	145
Flange diameter	D	105	115	140	150	165
Width of flange	b	12	12	14	14	16
Handwheel-Ø	B	60	70	80	90	110
Wrench size across flats	S <sub>2</sub>	6	7	8	9	9
Weight	ca. kg	1.9	2.5	3.8	4.4	6.5

Dimensions in mm.

Edition 2020-02