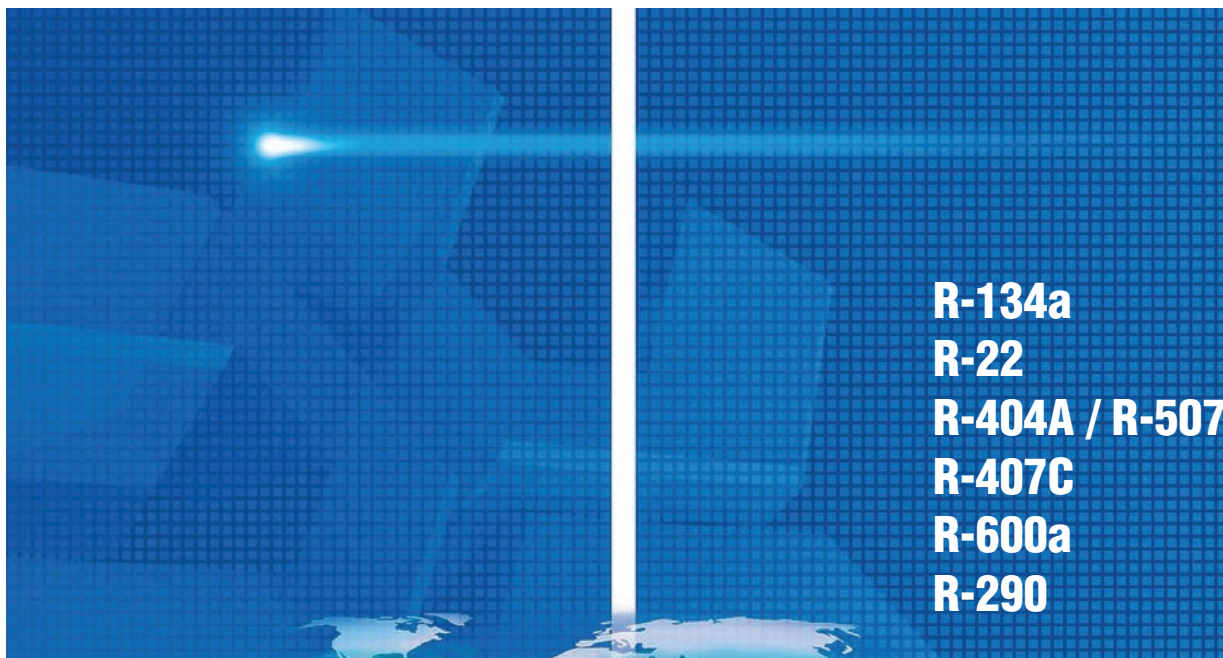


HERMETIC COMPRESSORS



R-134a
R-22
R-404A / R-507
R-407C
R-600a
R-290



Product Line

EM
NB
NE
T/NT
NJ



embraco

General Data and Performance	Page
50Hz	
<i>R-134a</i> <i>LBP</i>	<i>02</i>
<i>R-134a</i> <i>HBP</i>	<i>04</i>
<i>R-22</i> <i>LBP</i>	<i>06</i>
<i>R-22</i> <i>HBP</i>	<i>06</i>
<i>R-22</i> <i>M/HBP</i>	<i>08</i>
<i>R-22</i> <i>AC</i>	<i>08</i>
<i>R-404A / R-507</i> <i>LBP</i>	<i>08</i>
<i>R-404A / R-507</i> <i>MBP</i>	<i>12</i>
<i>R-407C</i> <i>AC</i>	<i>12</i>
<i>R-600a</i> <i>LBP</i>	<i>14</i>
<i>R-600a</i> <i>HBP</i>	<i>14</i>
<i>R-290</i> <i>LBP</i>	<i>16</i>
<i>R-290</i> <i>HBP</i>	<i>16</i>
60Hz	
<i>R-134a</i> <i>LBP</i>	<i>16</i>
<i>R-134a</i> <i>HBP</i>	<i>18</i>
<i>R-22</i> <i>LBP</i>	<i>20</i>
<i>R-22</i> <i>HBP</i>	<i>20</i>
<i>R-22</i> <i>M/HBP</i>	<i>22</i>
<i>R-22</i> <i>AC</i>	<i>22</i>
<i>R-404A / R-507</i> <i>LBP</i>	<i>22</i>
<i>R-404A / R-507</i> <i>MBP</i>	<i>26</i>
<i>R-407C</i> <i>AC</i>	<i>28</i>
<i>R-600a</i> <i>LBP</i>	<i>28</i>
General Information	30
External Views	31
Wiring Diagrams	33
Nomenclature	40

REFRIGERANT	APPLICATION	FREQUENCY
R-134a	LBP	50Hz

MODEL	Displacement		B.O.M.	Voltage / Frequency	Motor Type	LRA	Exp. Device	Lubricant			Weight		Max. Height A		Cooling Type
	cm ³	in ³						Charge	Type	kg	lb	mm	in		
EMT22HLP	3.00	0.18	191CA	220-240V 50Hz 1~	RSIR-RSCR	3.0	C	180	6.2	POE 10	7.1	15.7	158.0	6.2	S
EMT36HLP	3.97	0.24	192CA	220-240V 50Hz 1~	RSIR-RSCR	3.8	C	180	6.2	POE 10	7.5	16.5	166.0	6.5	S
EMT43HLP	4.85	0.30	192DA	220-240V 50Hz 1~	RSIR-RSCR	4.7	C	180	6.2	POE 10	7.5	16.5	166.0	6.5	S
EMT49HLP	5.56	0.34	192EA	220-240V 50Hz 1~	RSIR-RSCR	4.8	C	180	6.2	POE 10	7.7	17.0	166.0	6.5	S
EMT60HLP	6.76	0.41	192GA	220-240V 50Hz 1~	RSIR-RSCR	6.2	C	180	6.2	POE 10	7.7	17.0	166.0	6.5	S
NBT1114Z	6.20	0.38	297AA	220-240V 50Hz 1~	RSIR-RSCR	5.1	C	350	6.2	POE 10	10.2	22.5	187.0	7.4	S
NBT1116Z	7.40	0.45	298AA	220-240V 50Hz 1~	RSIR-RSCR	5.3	C	350	6.2	POE 10	10.8	23.8	200.0	7.9	S
NBT1118Z	8.40	0.51	298BA	220-240V 50Hz 1~	RSIR-RSCR	6.9	C	350	6.2	POE 10	10.8	23.8	200.0	7.9	S
NB2112Z	6.26	0.38	293IA	220-240V 50Hz 1~	CSIR	6.3	C/V	350	12.0	POE 22	9.5	20.9	177.0	7.0	S
NB1116Z	8.40	0.51	294SA	220-240V 50Hz 1~	RSIR-RSCR	9.5	C	350	12.0	POE 22	9.8	21.6	187.0	7.4	S
NB2116Z	8.40	0.51	294TA	220-240V 50Hz 1~	CSIR	8.8	C/V	350	12.0	POE 22	9.8	21.6	187.0	7.4	S
NB1117Z	8.40	0.51	294RN	200-240V 50Hz 1~ / 230V 60Hz 1~	RSIR	13.1	C	350	12.0	POE 22	10.3	22.7	187.0	7.4	S
NB3117Z	8.40	0.51	295AN	200-240V 50Hz~ / 230V 60Hz 1~	RSIR	13.0	C	350	12.0	POE 22	10.4	22.9	200.0	7.9	OC
NB1118Z	8.07	0.49	292CK	200-220V 50Hz 1~ / 230V 60Hz 1~	RSIR	13.2	C	350	12.0	POE 22	10.8	23.8	200.0	7.9	S
NB1118Z	8.07	0.49	294UA	220-240V 50Hz 1~	RSIR-RSCR	11.0	C	350	12.0	POE 22	10.3	22.7	187.0	7.4	S
NB2118Z	8.07	0.49	294VA	220-240V 50Hz 1~	CSIR	9.3	C/V	350	12.0	POE 22	10.4	22.9	187.0	7.4	S
NB1119Z	8.07	0.49	295BN	200-240V 50Hz 1~ / 230V 60Hz 1~	RSIR	14.4	C	350	12.0	POE 22	11.0	24.3	200.0	7.9	S
NB3119Z	8.07	0.49	295BN	200-240V 50Hz 1~ / 230V 60Hz 1~	RSIR	11.5	C	350	12.0	POE 22	10.4	22.9	200.0	7.9	OC
NE1121Z	9.27	0.57	262AA	220-240V 50Hz 1~	RSIR	14.8	C	350	12.0	POE 22	11.0	24.3	200.0	7.9	F
NE3121Z	9.27	0.57	262AA	220-240V 50Hz 1~	RSIR	14.8	C	350	12.0	POE 22	11.0	24.3	200.0	7.9	OC
NE1121Z	9.27	0.57	262AK	200-220V 50Hz 1~ / 230V 60Hz 1~	RSIR	22.2	C	350	12.0	POE 22	11.0	24.3	200.0	7.9	F
NE2121Z	9.27	0.57	262BA	220-240V 50Hz 1~	CSIR	12.6	C/V	350	12.0	POE 22	11.0	24.3	200.0	7.9	F
NE2121Z	9.27	0.57	263BK	200-220V 50Hz / 230V 60Hz	CSIR	15.0	C/V	350	12.0	POE 22	11.0	24.3	200.0	7.9	F
NE1130Z	12.12	0.74	262CA	220-240V 50Hz 1~	RSIR	16.3	C	350	12.0	POE 22	11.0	24.3	200.0	7.9	F
NE3130Z	12.12	0.74	262CA	220-240V 50Hz 1~	RSIR	16.3	C	350	12.0	POE 22	11.0	24.3	200.0	7.9	OC
NE1130Z	12.12	0.74	263IK	200-220V 50Hz / 230V 60Hz	RSIR	22.0	C	350	12.0	POE 22	11.0	24.3	200.0	7.9	F
NE2130Z	12.12	0.74	262DA	220-240V 50Hz 1~	CSIR	13.2	C/V	350	12.0	POE 22	11.0	24.3	200.0	7.9	F
NE2130Z	12.12	0.74	263DK	200-220V 50Hz 1~ / 230V 60Hz 1~	CSIR	14.3	C/V	350	12.0	POE 22	11.6	25.6	200.0	7.9	F
NE2134Z	14.28	0.87	263CA	220-240V 50Hz 1~	CSIR	17.0	C/V	350	12.0	POE 22	11.5	25.4	206.0	8.1	F
NEK1121Z	9.27	0.57	269FA	220-240V 50Hz 1~	RSIR	23.0	C	350	12.0	POE 22	11.6	25.6	206.0	8.1	S
NEK3130Z	12.12	0.74	269CA	220-240V 50Hz 1~	RSIR	16.0	C	350	12.0	POE 22	11.6	25.6	206.0	8.1	OC
NEK2140Z	16.80	1.02	269GA	220-240V 50Hz 1~	CSIR	16.9	C/V	350	12.0	POE 22	11.6	25.6	206.0	8.1	F
T2134Z	19.04	1.16	203NV	230V 50Hz 1~	CSIR	13.0	C/V	550	20.0	POE 22	13.9	30.6	201.0	7.9	F
T2140Z	22.40	1.37	207HA	220-240V 50Hz 1~	CSIR	20.0	C/V	550	20.0	POE 22	14.0	30.9	221.0	8.7	F
T2140Z	22.40	1.37	207HK	200-220V 50Hz / 230V 60Hz	CSIR	22.5	C/V	550	20.0	POE 22	14.9	32.8	221.0	8.7	F
NJ2152Z	27.12	1.65	144LA	220-240V 50Hz 1~	CSIR	24.0	C/V	750	26.0	POE 22	20.0	44.1	265.0	10.4	F

Note: Please check Test Conditions on page 30.

	Condensing Temperature °C	Cooling Capacity / Evaporating Temperature °C Subcooled condition W												Drawings		MODEL
		Rated Point -23.3°C								-20	-15	-10	-5	External View ref.	Wiring Diagram ref.	
		Cooling		W. input W	Current A	EER										
-30	-25	W	kcal/h			W	A	W/W	kcal/hW							
	54.4	47	67	74	64	62	0.40	1.19	1.02	91	121	156	196	DWG01	SM00	EMT22HLP
	45	54	73							97	128	165	207			
	54.4	74	98	108	93	85	0.60	1.27	1.09	130	169	215	269	DWG01	SM00	EMT36HLP
	45	79	105							138	179	227	284			
	54.4	91	121	133	114	102	0.70	1.31	1.13	159	206	262	326	DWG01	SM00	EMT43HLP
	45	98	129							169	218	277	345			
	54.4	103	137	151	130	114	0.80	1.32	1.14	180	232	293	362	DWG01	SM00	EMT49HLP
	45	111	145							189	243	307	381			
	54.4	120	159	175	151	151	1.00	1.16	1.00	209	272	346	431	DWG01	SM00	EMT60HLP
	45	134	176							230	296	373	462			
	54.4	103	143	159	137	112	0.40	1.42	1.22	193	253	323	403	DWG02	SM00	NBT1114Z
	45	117	156							207	268	340	423			
	54.4	127	174	193	166	127	0.50	1.51	1.30	233	303	384	477	DWG02	SM00	NBT1116Z
	45	142	189							249	321	405	501			
	54.4	150	204	225	194	151	0.60	1.49	1.28	271	352	446	554	DWG02	SM00	NBT1118Z
	45	165	220							289	371	468	579			
	54.4		126	139	120	127	0.90	1.09	0.94	169	220	280	348	DWG02	SM05	NB2112Z
	45	102	138							184	238	301	373			
	54.4		165	182	157	164	1.20	1.11	0.95	219	284	360	447	DWG02	SM00	NB1116Z
	45	135	181							238	305	383	470			
	54.4		157	182	157	164	1.10	1.11	0.95	212	277	353	440	DWG02	SM05	NB2116Z
	45	134	179							234	301	379	469			
	54.4		183	174	150	166	1.30	1.05	0.90	247	326	418	523	DWG02	SM00	NB1117Z
	45	134	179							234	301	379	469			
	54.4		157	174	150	156	1.20	1.12	0.96	212	277	353	440	DWG05	SM03	NB3117Z
	45	129	174							230	298	377	468			
	54.4		179	200	172	166	1.20	1.20	1.03	243	318	404	501	DWG02	SM00	NB1118Z
	45	146	197							261	337	427	530			
	54.4		124	207	178	168	1.10	1.23	1.06	199	244	321	411	DWG02	SM05	NB1118Z
	45	111	147							214	262	341	434			
	54.4		124	212	182	166	1.10	1.27	1.10	199	244	321	411	DWG02	SM05	NB2118Z
	45	111	147							214	262	341	434			
	54.4		179	200	172	166	1.20	1.20	1.03	243	318	404	501	DWG02	SM00	NB1119Z
	45	146	197							261	337	427	530			
	54.4		179	200	172	160	1.30	1.25	1.08	243	318	404	501	DWG05	SM03	NB3119Z
	45	146	197							261	337	427	530			
	54.4		229	252	217	198	1.50	1.27	1.09	303	393	497	618	DWG03	SM03	NE1121Z
	45	184	245							322	412	518	640			
	54.4		229	252	217	198	1.50	1.27	1.09	303	393	497	618	DWG05	SM03	NE3121Z
	45	184	245							322	412	518	640			
	54.4		229	252	217	198	1.50	1.27	1.09	303	393	497	618	DWG03	SM03	NE1121Z
	45	184	245							322	412	518	640			
	54.4		226	250	215	204	1.40	1.22	1.05	301	391	496	618	DWG03	SM05	NE2121Z
	45	182	242							319	411	519	640			
	54.4		229	252	217	198	1.40	1.27	1.09	303	393	497	618	DWG03	SM05	NE2121Z
	45	184	245							322	412	518	640			
	54.4		293	322	277	245	1.50	1.32	1.14	385	495	623	772	DWG03	SM03	NE1130Z
	45	235	313							408	520	650	800			
	54.4		293	322	277	245	1.50	1.32	1.14	385	495	623	772	DWG05	SM03	NE3130Z
	45	235	313							408	520	650	800			
	54.4		293	322	277	245	2.47	1.32	1.14	385	495	623	772	DWG03	SM03	NE1130Z
	45	235	313							408	520	650	800			
	54.4		313	344	296	260	2.10	1.32	1.14	409	525	660	817	DWG03	SM05	NE2130Z
	45	254	332							430	547	684	843			
	54.4		283	314	270	260	2.10	1.21	1.04	375	482	604	742	DWG03	SM05	NE2130Z
	45	228	299							388	495	620	763			
	54.4		324	356	306	291	2.30	1.22	1.05	438	556	706	880	DWG03	SM05	NE2134Z
	45	263	345							453	585	741	921			
	54.4		220	248	213	195	1.41	1.27	1.09	296	388	495	618	DWG03	SM03	NEK1121Z
	45	178	238							315	408	518	642			
	54.4		313	344	296	256	1.85	1.34	1.16	412	531	671	830	DWG05	SM03	NEK3130Z
	45	255	333							432	553	696	860			
	54.4		394	436	375	340	2.35	1.28	1.10	520	670	848	1015	DWG03	SM05	NEK2140Z
	45	318	420							552	710	896	1110			
	54.4		357	396	341	367	2.80	1.08	0.93	482	639	830	1055	DWG08	SM09	T2134Z
	45	308	389							512	678	887	1139			
	54.4		389	438	377	367	2.50	1.19	1.02	547	746	986	1266	DWG08	SM08	T2140Z
	45	327	434							591	799	1057	1364			
	54.4		389	438	377	367	2.50	1.19	1.02	547	746	986	1266	DWG08	SM08	T2140Z
	45	327	434							591	799	1057	1364			
	54.4		521	602	518	438	2.90	1.37	1.18	768	1045	1351	1687	DWG14	SM14	NJ2152Z
	45	360	551							777	1039	1335	1666			

REFRIGERANT APPLICATION FREQUENCY
R-134a HBP 50Hz

MODEL	Displacement		B.O.M.	Voltage / Frequency	Motor Type	LRA	Exp. Device	Lubricant			Weight		Max. Height A		Cooling Type
	cm ³	in ³						Charge cm ³ oz ²	Type	kg	lb	mm	in		
EMT37HDP	3.40	0.21	193EA	220-240V 50Hz 1~	RSIR	4.3	C	180	6.2	POE 22	7.2	16.0	158.0	6.2	S
EMT37HDP	3.40	0.21	194IB	200-230V 50Hz / 208-230V 60Hz 1~	RSIR	5.4	C	180	6.2	POE 22	7.7	17.0	166.0	6.5	S
EMT45HDR	3.97	0.24	194LA	220-240V 50Hz 1~	CSIR	5.4	C/V	180	6.2	POE 10	7.7	17.0	166.0	6.5	S
EMT50HDP	4.50	0.27	194MA	220-240V 50Hz 1~	RSIR	6.4	C	180	6.2	POE 22	7.7	17.0	166.0	6.5	S
EMT50HDP	4.50	0.27	194NB	200-230V 50Hz / 208-230V 60Hz 1~	RSIR	9.1	C	180	6.2	POE 22	7.7	17.0	166.0	6.5	S
NB5132Z	5.02	0.31	293CA	220-240V 50Hz 1~	RSIR	8.3	C	350	12.0	POE 22	9.5	20.9	177.0	7.0	S
NB5144Z	6.05	0.37	294AA	220-240V 50Hz 1~	RSIR	11.5	C	350	12.0	POE 22	9.7	21.4	187.0	7.4	F
NB6144Z	6.05	0.37	294BA	220-240V 50Hz 1~	CSIR	7.5	C/V	350	12.0	POE 22	9.7	21.4	187.0	7.4	F
NE5160Z	8.00	0.49	261AA	220-240V 50Hz 1~	RSIR	13.4	C	350	12.0	POE 22	9.9	21.8	187.0	7.4	F
NE6160Z	8.00	0.49	261BA	220-240V 50Hz 1~	CSIR	10.8	C/V	350	12.0	POE 22	10.4	22.9	187.0	7.4	F
NE6160Z	8.00	0.49	261BN	200-240V 50Hz / 230V 60Hz 1~	CSIR	15.3	C/V	350	12.0	POE 22	10.4	22.9	187.0	7.4	F
NE5170Z	8.78	0.54	261CA	220-240V 50Hz 1~	RSIR	13.5	C	350	12.0	POE 22	10.4	22.9	187.0	7.4	F
NE6170Z	8.78	0.54	261DA	220-240V 50Hz 1~	CSIR	11.0	C/V	350	12.0	POE 22	10.4	22.9	187.0	7.4	F
NE6170Z	8.78	0.54	262RN	200-240V 50Hz / 230V 60Hz 1~	CSIR	16.5	C/V	350	12.0	POE 22	10.3	22.7	200.0	7.9	F
NE5187Z	12.12	0.74	261EA	220-240V 50Hz 1~	RSIR	17.4	C	350	12.0	POE 22	10.4	22.9	187.0	7.4	F
NE6187Z	12.12	0.74	261FA	220-240V 50Hz 1~	CSIR	13.8	C/V	350	12.0	POE 22	10.4	22.9	187.0	7.4	F
NE6187Z	12.12	0.74	262EN	200-240V 50Hz / 230V 60Hz 1~	CSIR	16.5	C/V	350	12.0	POE 22	10.4	22.9	200.0	7.9	F
NE6210Z	13.54	0.83	262FA	220-240V 50Hz 1~	CSIR	17.4	C/V	350	12.0	POE 22	11.0	24.3	200.0	7.9	F
NEK5144Z	5.46	0.33	267EA	220-240V 50Hz 1~	RSIR	10.0	C	350	12.0	POE 22	9.8	21.6	187.0	7.4	F
NEK6160Z	7.28	0.44	267BA	220-240V 50Hz 1~	CSIR	11.5	C/V	350	12.0	POE 22	10.4	22.9	187.0	7.4	F
NEK6160Z	7.28	0.44	267BB	200-230V 50Hz / 208-230V 60Hz 1~	CSIR	13.5	C/V	350	12.0	POE 22	10.4	22.9	187.0	7.4	F
NEK5170Z	8.40	0.51	267CA	220-240V 50Hz 1~	RSIR	14.0	C	350	12.0	POE 22	10.4	22.9	187.0	7.4	F
NEK6170Z	8.40	0.51	267DA	220-240V 50Hz 1~	CSIR	12.4	C/V	350	12.0	POE 22	10.4	22.9	187.0	7.4	F
NEK6170Z	8.40	0.51	268DB	200-230V 50Hz / 208-230V 60Hz 1~	CSIR	16.5	C/V	350	12.0	POE 22	11.0	24.3	200.0	7.9	F
NEK6187Z	10.00	0.61	268AA	220-240V 50Hz 1~	CSIR	16.1	C/V	350	12.0	POE 22	11.0	24.3	200.0	7.9	F
NEK6187Z	10.00	0.61	269BB	200-230V 50Hz / 208-230V 60Hz 1~	CSIR	19.3	C/V	350	12.0	POE 22	11.6	25.5	206.0	8.1	F
NEK6210Z	12.12	0.74	268BA	220-240V 50Hz 1~	CSIR	16.1	C/V	350	12.0	POE 22	11.0	24.3	200.0	7.9	F
NEK6210Z	12.12	0.74	269EB	200-230V 50Hz / 208-230V 60Hz 1~	CSIR	20.0	C/V	350	12.0	POE 22	11.6	25.5	206.0	8.1	F
NEK6212Z	14.30	0.87	269AA	220-240V 50Hz 1~	CSIR	19.5	C/V	350	12.0	POE 22	11.6	25.5	206.0	8.1	F
NEK6212Z	14.30	0.87	269AB	200-230V 50Hz / 208-230V 60Hz 1~	CSR	22.5	C/V	350	12.0	POE 22	11.6	25.5	206.0	8.1	F
NEK6214Z	16.80	1.02	269HA	220-240V 50Hz 1~	CSIR	21.2	C/V	350	12.0	POE 22	11.6	25.5	206.0	8.1	F
T6213Z	17.40	1.06	203LN	200-240V 50Hz / 230V 60Hz 1~	CSIR	23.3	C/V	550	19.0	POE 22	13.7	30.2	201.0	7.9	F
T6213Z	17.40	1.06	203LT	220-230V 50Hz 1~	CSIR	20.0	C/V	550	19.0	POE 22	13.7	30.2	201.0	7.9	F
T6215Z	20.40	1.24	206ZA	220-240V 50Hz 1~	CSIR	21.0	C/V	550	20.0	POE 22	14.2	31.3	221.0	8.7	F
T6215Z	20.40	1.24	206ZC	220V 50Hz 1~	CSIR	21.0	C/V	550	20.0	POE 22	14.5	32.0	221.0	8.7	F
T6215Z	20.40	1.24	206ZN	200-240V 50Hz / 230V 60Hz 1~	CSIR	28.8	C/V	550	20.0	POE 22	16.9	37.3	221.0	8.7	F
T6217Z	22.40	1.24	206TA	220-240V 50Hz 1~	CSIR	22.5	C/V	550	20.0	POE 22	16.9	37.3	221.0	8.7	F
NT6215Z	17.40	1.06	212AN	200-240V 50Hz / 230V 60Hz 1~	CSIR	21	C/V	450	16	POE 22	16.5	36.3	220.0	8.7	F
NT6217Z	20.40	1.24	212BN	200-240V 50Hz / 230V 60Hz 1~	CSIR	25	C/V	450	16	POE 22	16.5	36.3	220.0	8.7	F
NT6220Z	22.40	1.24	212CN	200-240V 50Hz / 230V 60Hz 1~	CSIR	28	C/V	450	16	POE 22	16.5	36.3	220.0	8.7	F

Note: Please check Test Conditions on page 30.

FREQUENCY	APPLICATION	REFRIGERANT
50Hz	HBP	R-134a

Condensing Temperature	Cooling Capacity / Evaporating Temperature °C													Drawings		MODEL
	Subcooled condition W													External View	Wiring Diagram	
	Rated Point +7.2°C															
°C	-15	-10	-5	0	+5	Cooling		W. input	Current	EER		+10	ref.	ref.		
						W	kcal/h	W	A	W/W	kcal/hW					
54.4			213	266	327	351	302	137	0.80	2.55	2.20	396	DWG01	SM00	EMT37HDP	
45	155	196	246	305	374							450				
54.4			213	266	327	356	306	139	0.85	2.56	2.21	396	DWG01	SM00	EMT37HDP	
45	155	196	246	305	374							450				
54.4			258	315	388	421	362	158	0.95	2.66	2.29	470	DWG01	SM05	EMT45HDR	
45	186	238	294	360	440							532				
54.4			288	358	440	474	408	184	1.05	2.57	2.22	532	DWG01	SM00	EMT50HDP	
45	206	260	330	410	502							606				
54.4			288	358	440	474	408	182	1.10	2.58	2.23	532	DWG01	SM00	EMT50HDP	
45	206	260	330	410	502							606				
54.4			250	314	387	423	364	216	1.20	1.96	1.69	471	DWG02	SM03	NB5132Z	
45	180	237	302	375	455							543				
54.4			326	403	492	534	459	281	1.60	1.91	1.64	591	DWG03	SM03	NB5144Z	
45	238	300	374	461	560							670				
54.4			326	403	492	534	459	281	1.60	1.91	1.64	591	DWG03	SM05	NB6144Z	
45	238	300	374	461	560							670				
54.4			374	492	623	686	590	299	1.80	2.30	1.98	769	DWG03	SM03	NE5160Z	
45	260	341	447	576	730							907				
54.4			374	492	623	686	590	299	1.80	2.30	1.98	769	DWG03	SM05	NE6160Z	
45	260	341	447	576	730							907				
54.4			391	505	636	700	602	303	2.00	2.31	1.99	785	DWG03	SM05	NE6160Z	
45	270	359	469	598	748							917				
54.4			448	577	728	801	689	344	2.00	2.32	1.98	900	DWG03	SM03	NE5170Z	
45	311	411	535	683	854							1048				
54.4			443	570	718	789	679	344	1.90	2.32	1.98	885	DWG03	SM05	NE6170Z	
45	314	411	532	676	844							1035				
54.4			443	570	718	789	679	344	2.30	2.32	1.98	885	DWG03	SM05	NE6170Z	
45	314	411	532	676	844							1035				
54.4			637	804	997	1089	937	520	3.00	2.09	1.80	1214	DWG03	SM03	NE5187Z	
45	454	586	747	936	1154							1400				
54.4			637	804	997	1089	937	520	3.00	2.09	1.80	1214	DWG03	SM05	NE6187Z	
45	454	586	747	936	1154							1400				
54.4			639	809	1006	1101	947	480	2.80	2.29	1.97	1229	DWG03	SM05	NE6187Z	
45	454	586	748	940	1163							1416				
54.4			723	913	1134	1240	1066	553	3.10	2.24	1.93	1384	DWG03	SM05	NE6210Z	
45	513	661	843	1059	1310							1595				
54.4			316	395	488	533	459	241	1.42	2.21	1.90	594	DWG03	SM03	NEK5144Z	
45	227	291	367	456	557							671				
54.4			418	526	653	716	615	297	1.90	2.41	2.07	799	DWG03	SM05	NEK6160Z	
45	306	388	491	612	753							913				
54.4			413	523	653	717	616	297	2.20	2.41	2.07	803	DWG03	SM05	NEK6160Z	
45	302	382	483	605	749							913				
54.4			491	613	756	827	711	347	2.07	2.38	2.05	922	DWG03	SM03	NEK5170Z	
45	343	451	573	712	866							1036				
54.4			503	626	767	837	720	347	2.10	2.41	2.08	929	DWG03	SM05	NEK6170Z	
45	366	460	577	714	874							1056				
54.4			502	627	772	841	723	344	2.41	2.44	2.10	938	DWG03	SM05	NEK6170Z	
45	366	359	575	715	878							1064				
54.4			576	715	884	967	832	410	2.61	2.35	2.03	1077	DWG03	SM05	NEK6187Z	
45	414	521	656	817	1006							1221				
54.4			592	730	887	965	830	404	2.90	2.39	2.05	1068	DWG03	SM05	NEK6187Z	
45	408	524	664	828	1016							1229				
54.4			690	862	1051	1140	980	497	2.86	2.29	1.97	1257	DWG03	SM05	NEK6210Z	
45	518	631	793	983	1200							1448				
54.4			620	780	995	1122	965	527	3.86	2.13	1.83	1260	DWG03	SM05	NEK6210Z	
45	520	590	720	920	1148							1444				
54.4			767	960	1186	1292	1111	602	3.53	2.15	1.85	1437	DWG03	SM05	NEK6212Z	
45	558	705	885	1101	1353							1635				
54.4			790	980	1198	1302	1120	613	4.05	2.12	1.83	1444	DWG03	SM06	NEK6212Z	
45	562	725	912	1128	1368							1635				
54.4			780	988	1256	1486	1278	775	4.75	1.92	1.65	1620	DWG03	SM05	NEK6214Z	
45	628	745	902	1140	1450							1850				
54.4			835	1068	1335	1463	1258	677	4.30	2.16	1.86	1635	DWG08	SM09	T6213Z	
45	523	736	979	1252	1555							1889				
54.4			835	1068	1335	1463	1258	673	3.80	2.17	1.87	1635	DWG08	SM09	T6213Z	
45	523	736	979	1252	1555							1889				
54.4			1003	1288	1616	1774	1526	807	4.50	2.20	1.89	1987	DWG08	SM09	T6215Z	
45	682	894	1166	1497	1887							2336				
54.4			998	1291	1634	1800	1548	815	4.90	2.21	1.90	2026	DWG08	SM09	T6215Z	
45	684	897	1169	1500	1891							2342				
54.4			998	1291	1634	1800	1548	811	4.90	2.22	1.91	2026	DWG08	SM09	T6215Z	
45	684	897	1169	1500	1891							2342				
54.4			1062	1374	1737	1913	1645	867	4.80	2.20	1.89	1987	DWG08	SM09	T6217Z	
45	718	973	1275	1624	2020							2464				
54.4			938	1188	1472	1608	1382	638	3.92	2.52	2.17	1786	DWG15	SM19	NT6215Z	
45	664	854	1092	1375	1696							2052				
54.4			1185	1420	1712	1863	1602	773	4.68	2.41	2.07	2060	DWG15	SM19	NT6217Z	
45	832	1026	1272	1570	1920							2324				
54.4			1212	1498	1844	2016	1734	862	5.24	2.34	2.01	2248	DWG15	SM19	NT6220Z	
45	896	1104	1375	1712	2112							2578				

REFRIGERANT APPLICATION FREQUENCY
R-134a HBP 50Hz

MODEL	Displacement		B.O.M.	Voltage / Frequency	Motor Type	LRA	Exp. Device	Lubricant			Weight		Max. Height A		Cooling Type
	cm ³	in ³						Charge	Type	kg	lb	mm	in		
														cm ³	
NJ6220Z	26.20	1.60	144HA	220-240V 50Hz 1~	CSIR	35.0	C/V	750	26.0	POE 22	20.3	44.8	265.0	10.4	F
NJ6220ZX	26.20	1.60	148HM	380-420V 50Hz / 440-480V 60Hz 3~	3PHASE	10.0	C/V	750	26.0	POE 22	19.6	43.2	265.0	10.4	F
NJ6226Z	34.37	2.10	142HA	220-240V 50Hz 1~	CSR	31.0	C/V	750	26.0	POE 22	20.1	44.3	253.0	10.0	F
NJ6226ZX	34.37	2.10	148IM	380-420V 50Hz / 440-480V 60Hz 3~	3PHASE	13.0	C/V	750	26.0	POE 22	20.2	44.5	265.0	10.4	F

Note: Please check Test Conditions on page 30.

REFRIGERANT APPLICATION FREQUENCY
R-22 LBP 50Hz

MODEL	Displacement		B.O.M.	Voltage / Frequency	Motor Type	LRA	Exp. Device	Lubricant			Weight		Max. Height A		Cooling Type
	cm ³	in ³						Charge	Type	kg	lb	mm	in		
														cm ³	
NE2125E	8.78	0.54	261IA	220-240V 50Hz 1~	CSIR	11.0	C/V	350	12.0	AB 46	10.4	22.9	187.0	7.4	F
NE2134E	12.12	0.74	263AA	220-240V 50Hz 1~	CSIR	14.8	C/V	350	12.0	AB 46	11.5	25.4	206.0	8.1	F
T2140E-	14.50	0.88	116AA	220-240V 50Hz 1~	CSIR	22.0	C/V	550	20.0	AB 46	17.1	37.7	221.0	8.7	F
T2155E	17.40	1.06	116BA	220-240V 50Hz 1~	CSR	18.0	C/V	550	20.0	AB 46	16.3	35.9	221.0	8.7	F
T2155E	17.40	1.06	116BK	200-220V 50Hz / 230V 60Hz 1~	CSR	22.0	C/V	550	20.0	AB 46	16.3	35.9	221.0	8.7	F
T2168E	20.40	1.24	116UA	220-240V 50Hz 1~	CSR	18.0	C/V	550	20.0	AB 46	16.6	36.6	221.0	8.7	F
NJ2178E	23.50	1.43	144GA	220-240V 50Hz 1~	CSR	26.0	C/V	750	26.0	AB 46	20.2	44.5	265.0	10.4	F
NJ2190E	27.12	1.65	143NV	230V 50Hz 1~	CSR	37.0	C/V	750	26.0	AB 46	21.5	47.4	265.0	10.4	F

Note: Please check Test Conditions on page 30.

REFRIGERANT APPLICATION FREQUENCY
R-22 HBP 50Hz

MODEL	Displacement		B.O.M.	Voltage / Frequency	Motor Type	LRA	Exp. Device	Lubricant			Weight		Max. Height A		Cooling Type
	cm ³	in ³						Charge	Type	kg	lb	mm	in		
														cm ³	
NB6144E	4.52	0.28	294IA	220-240V 50Hz 1~	CSIR	15.3	C/V	350	12.0	AB 46	10.3	22.7	187.0	7.4	F
NB6152E	5.02	0.31	294LA	220-240V 50Hz 1~	CSIR	15.3	C/V	350	12.0	AB 46	10.5	23.1	187.0	7.4	F
NB6165E	6.05	0.37	294NA	220-240V 50Hz 1~	CSIR	13.8	C/V	350	12.0	AB 46	10.0	22.0	187.0	7.4	F
NE6181E	7.28	0.44	262LA	220-240V 50Hz 1~	CSIR	16.5	C/V	350	12.0	AB 46	10.0	22.0	200.0	7.9	F
NE5210E	8.78	0.54	262MN	200-240V 50Hz / 230V 60Hz 1~	RSIR	17.5	C	350	12.0	AB 46	10.4	22.9	200.0	7.4	F
NE6210E	8.78	0.54	261NA	220-240V 50Hz 1~	CSIR	13.8	C/V	350	12.0	AB 46	10.4	22.9	187.0	7.4	F
NE6211E	9.27	0.57	262HA	220-240V 50Hz 1~	CSIR	17.5	C/V	350	12.0	AB 46	10.4	22.9	200.0	7.9	F
T6217E	14.50	0.88	116TA	220-240V 50Hz 1~	CSR	18.0	C/V	550	20.0	AB 46	16.3	35.9	221.0	8.7	F
T6220E	17.40	1.06	116SA	220-240V 50Hz 1~	CSR	20.0	C/V	550	20.0	AB 46	16.9	37.3	221.0	8.7	F
T6220E	17.40	1.06	116JK	200-220V 50Hz / 230V 60Hz	CSR	31.0	C/V	550	20.0	AB 46	16.9	37.3	221.0	8.7	F
T6222E	20.40	1.25	116KA	220-240V 50Hz 1~	CSR	28.0	C/V	550	20.0	AB 46	17.2	38.0	221.0	8.7	F

Note: Please check Test Conditions on page 30.

FREQUENCY		APPLICATION		REFRIGERANT	
50Hz		HBP		R-134a	

Condensing Temperature °C	Cooling Capacity / Evaporating Temperature °C Subcooled condition W												Drawings		MODEL
	Rated Point +7.2°C												External View ref.	Wiring Diagram ref.	
	-15	-10	-5	0	+5	Cooling W kcal/h		W. input W	Current A	EER W/W kcal/hW		+10			
54.4			1471	1881	2330	2541	2185	978	5.70	2.60	2.24	2819	DWG14	SM14	NJ6220Z
45	962	1263	1638	2087	2610							3206			
54.4			1471	1881	2330	2541	2185	875	1.60	2.90	2.49	2819	DWG14	SM18	NJ6220ZX
45	962	1263	1638	2087	2610							3206			
54.4			1764	2226	2732	2969	2553	1232	6.00	2.41	2.07	3282	DWG14	SM17	NJ6226Z
45	1421	1791	2229	2734	3306							3945			
54.4			1764	2226	2732	2969	2553	1190	2.30	2.49	2.14	3282	DWG14	SM18	NJ6226ZX
45	1421	1791	2229	2734	3306							3945			

FREQUENCY		APPLICATION		REFRIGERANT	
50Hz		LBP		R-22	

Condensing Temperature °C	Cooling Capacity / Evaporating Temperature °C Subcooled condition W												Drawings		MODEL
	Rated Point -23.3°C												External View ref.	Wiring Diagram ref.	
	-30	-25	Cooling W kcal/h		W. input W	Current A	EER W/W kcal/hW		-20	-15	-10				
54.4			293	252	278	1.50	1.06	0.91	353	458	582	DWG03	SM05	NE2125E	
45	226	304							401	517	651				
54.4			429	369	391	2.60	1.10	0.94	518	670	843	DWG03	SM05	NE2134E	
45	331	441							576	737	924				
54.4			496	427	420	2.90	1.18	1.01	604	796	1023	DWG09	SM09	T2140E-	
45	348	482							654	866	1116				
54.4			599	515	484	2.20	1.24	1.07	731	965	1241	DWG11	SM13	T2155E	
45	427	591							798	1049	1344				
54.4			599	515	484	2.20	1.24	1.07	731	965	1241	DWG11	SM13	T2155E	
45	427	591							798	1049	1344				
54.4			759	653	585	2.70	1.30	1.12	948	1304	1744	DWG11	SM13	T2168E	
45	547	725							963	1262	1622				
54.4			912	784	729	3.30	1.25	1.08	1099	1425	1803	DWG14	SM16	NJ2178E	
45	668	918							1216	1560	1953				
54.4			1060	912	819	4.10	1.29	1.11	1280	1662	2104	DWG14	SM16	NJ2190E	
45	782	1078							1426	1826	2279				

FREQUENCY		APPLICATION		REFRIGERANT	
50Hz		HBP		R-22	

Condensing Temperature °C	Cooling Capacity / Evaporating Temperature °C Subcooled condition W												Drawings		MODEL
	Rated Point +7.2°C												External View ref.	Wiring Diagram ref.	
	-15	-10	-5	0	+5	Cooling W kcal/h		W. input W	Current A	EER W/W kcal/hW		+10			
54.4			339	419	511	555	486	289	2.00	1.92	1.65	615	DWG03	SM05	NB6144E
45	252	316	393	482	584							699			
54.4			394	483	584	632	544	351	2.10	1.80	1.55	697	DWG03	SM05	NB6152E
45	296	368	454	554	669							798			
54.4			485	592	714	772	664	439	2.70	1.76	1.51	851	DWG03	SM05	NB6165E
45	368	453	556	676	815							971			
54.4			561	705	873	954	820	414	2.60	2.32	2.00	1063	DWG03	SM05	NE6181E
45	413	523	661	826	1018							1237			
54.4			704	872	1065	1157	995	523	3.20	2.21	1.90	1281	DWG03	SM03	NE5210E
45	522	656	819	1012	1234							1486			
54.4			670	836	1026	1118	961	535	3.00	2.09	1.80	1241	DWG03	SM05	NE6210E
45	499	627	787	978	1199							1452			
54.4			783	968	1179	1290	1109	606	3.20	2.13	1.83	1425	DWG03	SM05	NE6211E
45	465	686	859	1060	1291							1548			
54.4			1073	1388	1728	1885	1621	714	3.40	2.64	2.27	2093	DWG12	SM13	T6217E
45	678	979	1306	1659	2039							2445			
54.4			1345	1682	2065	2248	1933	846	3.80	2.66	2.29	2494	DWG12	SM13	T6220E
45	886	1204	1543	1902	2283							2685			
54.4			1345	1682	2065	2248	1933	846	3.80	2.66	2.29	2494	DWG12	SM13	T6220E
45	886	1204	1543	1902	2283							2685			
54.4			1588	1980	2440	2664	2290	1185	5.76	2.25	1.93	2964	DWG12	SM12	T6222E
45	1130	1488	1888	2328	2812							3336			

REFRIGERANT APPLICATION FREQUENCY
R-22 M/HBP 50Hz

MODEL	Displacement		B.O.M.	Voltage / Frequency	Motor Type	LRA	Exp. Device	Lubricant			Weight		Max. Height A		Cooling Type
	cm ³	in ³						Charge cm ³ oz ³	Type	kg	lb	mm	in		
NE9213E	12.12	0.74	263EA	220-240V 50Hz 1~	CSR	16.0	C/V	350	12.0	AB 46	11.7	25.8	206.0	8.1	F
NJ9226E	21.70	1.32	144IV	230V 50Hz 1~	CSR	27.5	C/V	750	26.0	AB 46	20.5	45.2	265.0	10.4	F
NJ9226P	21.70	1.32	148MM	380-420V 50Hz / 440-480V 60Hz 3~	3PHASE	10.0	C/V	750	26.0	AB 46	22.1	48.7	265.0	10.4	F
NJ9232E	26.20	1.60	143MV	230V 50Hz 1~	CSR	33.7	C/V	750	26.0	AB 46	21.5	47.4	277.0	10.9	F
NJ9232P	26.20	1.60	147HM	380-420V 50Hz / 440-480V 60Hz 3~	3PHASE	13.0	C/V	750	26.0	AB 46	21.2	46.7	277.0	10.9	F
NJ9238E	32.70	2.00	143QV	230V 50Hz 1~	CSR	43.0	C/V	750	26.0	AB 46	21.9	48.3	277.0	10.9	F
NJ9238P	32.70	2.00	147LM	380-420V 50Hz / 440-480V 60Hz 3~	3PHASE	22.0	C/V	750	26.0	AB 46	21.7	47.8	277.0	10.9	F

Note: Please check Test Conditions on page 30.

REFRIGERANT APPLICATION FREQUENCY
R-22 AC 50Hz

MODEL	Displacement		B.O.M.	Voltage / Frequency	Motor Type	LRA	Exp. Device	Lubricant			Weight		Max. Height A		Cooling Type
	cm ³	in ³						Charge cm ³ oz ³	Type	kg	lb	mm	in		
NE7213E	12.12	0.73	264CA	220-240V 50Hz 1~	PSC	13.0	C	350	12.0	MO 32	11.6	25.6	206.0	8.1	F
NE7215E	13.54	0.81	264DA	220-240V 50Hz 1~	PSC	19.0	C	350	12.0	MO 32	11.9	26.2	206.0	8.1	F
T7220F	17.40	1.06	116WA	220-240V 50Hz 1~	PSC	26.0	C	550	20.0	MO 32	15.0	33.1	221.0	8.7	F
T7223F	20.40	1.24	116DA	220-240V 50Hz 1~	PSC	30.0	C	550	20.0	MO 32	15.9	35.0	221.0	8.7	F
NJ7225F	21.70	1.32	142GA	220-240V 50Hz 1~	PSC	30.0	C	750	26.0	MO 32	19.3	42.5	253.0	10.0	F
NJ7228F	23.50	1.45	142FA	220-240V 50Hz 1~	PSC	30.0	C	750	26.0	MO 32	20.0	44.1	253.0	10.0	F
NJ7228P	23.50	1.45	146DM	380-420V 50Hz / 440-480V 60Hz 3~	3PHASE	18.0	C/V	750	26.0	MO 32	21.5	47.4	253.0	10.0	F
NJ7231F	26.20	1.60	144EA	220-240V 50Hz 1~	PSC	37.0	C	750	26.0	MO 32	20.4	45.0	265.0	10.4	F
NJ7231P	26.20	1.60	148CM	380-420V 50Hz / 440-480V 60Hz 3~	3PHASE	18.0	C/V	750	26.0	MO 32	20.1	44.3	265.0	10.4	F
NJ7238E	32.70	2.00	143AA	220-240V 50Hz 1~	PSC	51.0	C	750	26.0	MO 32	21.4	47.2	277.0	10.9	F
NJ7238P	32.70	2.00	147AM	380-420V 50Hz / 440-480V 60Hz 3~	3PHASE	22.0	C/V	750	26.0	MO 32	20.9	46.1	277.0	10.9	F
NJ7240F	34.37	2.10	143FA	220-240V 50Hz 1~	PSC	50.0	C	750	26.0	MO 32	22.3	49.2	277.0	10.9	F
NJ7240P	34.37	2.10	147CM	380-420V 50Hz / 440-480V 60Hz 3~	3PHASE	22.0	C/V	750	26.0	MO 32	21.4	47.2	277.0	10.9	F

Note: Please check Test Conditions on page 30.

REFRIGERANT APPLICATION FREQUENCY
R-404A / R-507 LBP 50Hz

MODEL	Displacement		B.O.M.	Voltage / Frequency	Motor Type	LRA	Exp. Device	Lubricant			Weight		Max. Height A		Cooling Type
	cm ³	in ³						Charge cm ³ oz ³	Type	kg	lb	mm	in		
NB2112GK	3.78	0.23	994BN	200-240V 50Hz / 230V 60Hz 1~	CSIR	8.8	C/V	350	12.0	POE 22	10.0	22.0	187.0	7.4	S
NB1117GK	4.52	0.28	994CN	200-240V 50Hz / 230V 60Hz 1~	RSIR	13.1	C	350	12.0	POE 22	10.5	23.1	187.0	7.4	F
NB2117GK	4.52	0.28	994DN	200-240V 50Hz / 230V 60Hz 1~	CSIR	9.8	C/V	350	12.0	POE 22	10.5	23.1	187.0	7.4	F
NB1121GK	6.05	0.37	995AN	200-240V 50Hz / 230V 60Hz 1~	RSIR	16.3	C	350	12.0	POE 22	11.1	24.5	200.0	7.9	F
NB2121GK	6.05	0.37	995BN	200-240V 50Hz / 230V 60Hz 1~	CSIR	15.0	C/V	350	12.0	POE 22	11.1	24.5	200.0	7.9	F

Note: Please check Test Conditions on page 30.

FREQUENCY	APPLICATION	REFRIGERANT
50Hz	M/HBP	R-22

Condensing Temperature °C	Cooling Capacity / Evaporating Temperature °C													Drawings		MODEL
	Subcooled condition W													External View ref.	Wiring Diagram ref.	
	Rated Point +7.2°C						EER									
	-20	-15	-10	-5	0	+5	W	kcal/h	W	A	W/W	kcal/hW	+10			
54.4				980	1220	1491	1620	1393	674	3.10	2.40	2.06	1792	DWG03	SM06	NE9213E
45	535	535	902	1137	1406	1711							2049			
54.4				1792	2249	2769	3018	2595	1124	5.00	2.68	2.30	3352	DWG14	SM17	NJ9226E
45	968	968	1647	2086	2591	3163							3800			
54.4				1811	2257	2770	3018	2595	1134	2.10	2.66	2.29	3353	DWG14	SM18	NJ9226P
45	968	968	1647	2086	2591	3163							3800			
54.4				2159	2695	3313	3611	3105	1384	6.70	2.61	2.24	4013	DWG14	SM17	NJ9232E
45	1158	1522	1974	2514	3142	3857							4661			
54.4				2159	2695	3313	3611	3105	1371	2.80	2.63	2.26	4013	DWG14	SM18	NJ9232P
45	1158	1522	1974	2514	3142	3857							4661			
54.4				2802	3427	4131	4466	3841	1856	8.20	2.41	2.07	4914	DWG14	SM17	NJ9238E
45	1542	1967	2490	3112	3831	4648							5563			
54.4				2802	3427	4131	4466	3841	1856	4.00	2.41	2.07	4914	DWG14	SM18	NJ9238P
45	1542	1967	2490	3112	3831	4648							5563			

FREQUENCY	APPLICATION	REFRIGERANT
50Hz	AC	R-22

Condensing Temperature °C	Cooling Capacity / Evaporating Temperature °C											Drawings		MODEL
	Subcooled condition W											External View ref.	Wiring Diagram ref.	
	Rated Point +7.2°C						EER							
	0	+5	W	kcal/h	W	A	W/W	kcal/hW	+10	+15				
54.4	1223	1499	1632	1403	680	3.20	2.40	2.06	1792	2241	DWG06	SM07	NE7213E	
45	1411	1717							2062	2444				
54.4	1337	1643	1790	1539	760	3.70	2.36	2.02	1987	2368	DWG06	SM07	NE7215E	
45	1565	1913							2303	2736				
54.4	1682	2065	2248	1933	1033	5.10	2.18	1.87	2494	2970	DWG12	SM11	T7220F	
45	1973	2369							2834	3365				
54.4	1947	2439	2678	2303	1297	6.10	2.07	1.78	3000	3630	DWG12	SM11	T7223F	
45	2268	2769							3390	4133				
54.4	2017	2588	2878	2475	1132	5.40	2.54	2.18	3284	4106	DWG14	SM15	NJ7225F	
45	2181	2788							3531	4410				
54.4	2325	2992	3326	2860	1321	5.80	2.52	2.17	3786	4707	DWG14	SM15	NJ7228F	
45	2749	3471							4320	5297				
54.4	2325	2992	3326	2860	1238	2.70	2.69	2.31	3786	4707	DWG14	SM18	NJ7228P	
45	2749	3471							4320	5297				
54.4	2726	3315	3596	3093	1460	6.80	2.46	2.12	3974	4703	DWG14	SM15	NJ7231F	
45	3273	3940							4704	5566				
54.4	2726	3315	3596	3093	1335	3.10	2.69	2.31	3974	4703	DWG14	SM18	NJ7231P	
45	3273	3940							4704	5566				
54.4	3328	4048	4416	3798	1959	10.30	2.25	1.94	4931	5976	DWG14	SM15	NJ7238E	
45	4059	4844							5810	6956				
54.4	3328	4048	4416	3798	1844	3.50	2.40	2.06	4931	5976	DWG14	SM18	NJ7238P	
45	4059	4844							5810	6956				
54.4	3617	4443	4838	4161	2048	9.80	2.36	2.03	5369	6394	DWG14	SM15	NJ7240F	
45	3986	4919							5981	7171				
54.4	3617	4443	4838	4161	2018	3.80	2.40	2.06	5369	6394	DWG14	SM18	NJ7240P	
45	3986	4919							5981	7171				

FREQUENCY	APPLICATION	REFRIGERANT
50Hz	LBP	R-404A / R-507

Condensing Temperature °C	Cooling Capacity / Evaporating Temperature °C													Drawings		MODEL
	Subcooled condition W													External View ref.	Wiring Diagram ref.	
	Rated Point -23.3°C						EER									
	-40	-35	-30	-25	W	kcal/h	W	A	W/W	kcal/hW	-20	-15	-10			
54.4				118	132	114	130	0.90	1.01	0.87	161	210	264	DWG02	SM05	NB2112GK
45	38	64	79	97							182	234	292			
54.4				165	183	157	158	1.00	1.15	0.99	219	279	346	DWG02	SM03	NB1117GK
45	69	99	117	137							239	302	373			
54.4				160	178	153	162	1.10	1.09	0.94	214	274	342	DWG02	SM05	NB2117GK
45	64	95	114	134							237	300	373			
54.4				258	282	243	241	1.70	1.17	1.01	334	419	515	DWG02	SM03	NB1121GK
45	115	159	192	215							359	448	548			
54.4				258	282	243	241	1.70	1.17	1.01	334	419	515	DWG02	SM05	NB2121GK
45	115	159	192	215							359	448	548			

REFRIGERANT APPLICATION FREQUENCY
R-404A / R-507 LBP 50Hz

MODEL	Displacement		B.O.M.	Voltage / Frequency	Motor Type	LRA	Exp. Device	Lubricant			Weight		Max. Height A		Cooling Type
	cm ³	in ³						Charge cm ³ oz ³	Type	kg	lb	mm	in		
NE2125GK	8.78	0.54	951IA	220-240V 50Hz 1~	CSIR	13.8	C/V	350	12.0	POE 22	10.4	22.9	187.0	7.4	F
NE2134GK	12.12	0.74	953AA	220-240V 50Hz 1~	CSIR	16.4	C/V	350	12.0	POE 22	11.7	25.8	206.0	8.1	F
NEK2117GK	4.52	0.28	957BA	220-240V 50Hz 1~	CSIR	9.6	C/V	350	12.0	POE 22	10.4	22.9	187.0	7.4	S
NEK1121GK	5.45	0.33	957CA	220-240V 50Hz 1~	RSIR	15.4	C	350	12.0	POE 22	10.4	22.9	187.0	7.4	S
NEK2121GK	5.45	0.33	957DA	220-240V 50Hz 1~	CSIR	9.6	C/V	350	12.0	POE 22	10.4	22.9	187.0	7.4	S
NEK1125GK	6.20	0.38	958EA	220-240V 50Hz 1~	RSIR	20.2	C	350	12.0	POE 22	11.0	24.3	200.0	7.9	S
NEK2125GK	6.20	0.38	957EA	220-240V 50Hz 1~	CSIR	12.4	C/V	350	12.0	POE 22	10.4	22.9	187.0	7.4	F
NEK2130GK	7.40	0.45	958BA	220-240V 50Hz 1~	CSIR	16.0	C/V	350	12.0	POE 22	11.0	24.3	200.0	7.9	F
NEK1134GK	8.78	0.54	958DA	220-240V 50Hz 1~	RSIR	21.7	C	350	12.0	POE 22	11.0	24.3	200.0	7.9	F
NEK2134GK	8.78	0.54	958AA	220-240V 50Hz 1~	CSIR	16.1	C/V	350	12.0	POE 22	11.0	24.3	200.0	7.9	F
NEK1150GK	12.12	0.74	959EA	220-240V 50Hz 1~	RSIR	20.5	C	350	12.0	POE 22	11.6	25.5	206.0	8.1	F
NEK2150GK	12.12	0.74	959AA	220-240V 50Hz 1~	CSIR	19.5	C/V	350	12.0	POE 22	11.6	25.5	206.0	8.1	F
NEK2168GK	14.30	0.87	959FA	220-240V 50Hz 1~	CSIR	18.5	C/V	350	12.0	POE 22	11.6	25.5	206.0	8.1	F
NEK2168GK	14.30	0.87	959FA	220-240V 50Hz 1~	CSR	18.5	C/V	350	12.0	POE 22	11.6	25.5	206.0	8.1	F
T2155GK	14.50	0.88	936AA	220-240V 50Hz 1~	CSR	20.0	C/V	550	20.0	POE 22	16.3	35.9	221.0	8.7	F
T2155GK-	14.50	0.88	936BA	220-240V 50Hz 1~	CSIR	22.0	C/V	550	20.0	POE 22	16.6	36.6	221.0	8.7	F
T2168GK	17.40	1.06	936CA	220-240V 50Hz 1~	CSR	18.0	C/V	550	20.0	POE 22	16.8	37.0	221.0	8.7	F
T2168GK-	17.40	1.06	936DA	220-240V 50Hz 1~	CSIR	24.5	C/V	550	20.0	POE 22	17.2	37.9	221.0	8.7	F
T2178GK	20.40	1.24	936EA	220-240V 50Hz 1~	CSR	22.8	C/V	550	20.0	POE 22	17.2	37.9	221.0	8.7	F
T2178GK-	20.40	1.24	936FA	220-240V 50Hz 1~	CSIR	30.0	C/V	550	20.0	POE 22	17.3	38.1	221.0	8.7	F
T2180GK	22.40	1.37	936HA	220-240V 50Hz 1~	CSR	28.0	C/V	550	20.0	POE 22	17.3	38.1	221.0	8.7	F
T2180GJ	22.40	1.37	936IA	220-240V 50Hz 1~	CSR	30.0	C/V	550	20.0	POE 22	17.3	38.1	221.0	8.7	F
NT2168GK	14.50	0.88	922DN	200-240V 50Hz / 230V 60Hz 1~	CSIR	25.0	C/V	450	15.7	POE 22	16.8	37.0	220.0	8.7	F
NT2168GK*	14.50	0.88	922DN	200-240V 50Hz / 230V 60Hz 1~	CSR	25.0	C/V	450	15.7	POE 22	16.8	37.0	220.0	8.7	F
NT2178GK	17.40	1.06	922EA	220-240V 50Hz 1~	CSIR	25.0	C/V	450	15.7	POE 22	17.2	37.9	220.0	8.7	F
NT2178GK	17.40	1.06	922EA	220-240V 50Hz 1~	CSR	25.0	C/V	450	15.7	POE 22	17.2	37.9	220.0	8.7	F
NT2178GK	17.40	1.06	922EN	200-240V 50Hz / 230V 60Hz 1~	CSIR	26.0	C/V	450	15.7	POE 22	17.2	37.9	220.0	8.7	F
NT2178GK*	17.40	1.06	922EN	200-240V 50Hz / 230V 60Hz 1~	CSR	26.0	C/V	450	15.7	POE 22	17.2	37.9	220.0	8.7	F
NT2180GK	20.40	1.24	923HA	220-240V 50Hz 1~	CSIR	35.0	C/V	450	15.7	POE 22	18.0	39.6	234.0	9.2	F
NT2180GK*	20.40	1.24	923HA	220-240V 50Hz 1~	CSR	35.0	C/V	450	15.7	POE 22	18.0	39.6	234.0	9.2	F
NT2192GK	22.40	1.37	923EA	220-240V 50Hz 1~	CSIR	35.0	C/V	450	15.7	POE 22	18.2	40.0	234.0	9.2	F
NT2192GK	22.40	1.37	923EA	220-240V 50Hz 1~	CSR	35.0	C/V	450	15.7	POE 22	18.2	40.0	234.0	9.2	F
NJ2192GK	26.20	1.60	944AA	220-240V 50Hz 1~	CSR	26.0	C/V	750	26.0	POE 22	20.4	45.0	265.0	10.4	F
NJ2192GS	26.20	1.60	948AM	380-420V 50Hz / 440-480V 60Hz 3~	3PHASE	13.0	C/V	750	26.0	POE 22	22.8	50.3	265.0	10.4	F
NJ2212GK	34.37	2.10	943BA	220-240V 50Hz 1~	CSR	36.0	C/V	750	26.0	POE 22	21.5	47.4	277.0	10.9	F
NJ2212GS	34.37	2.10	947AM	380-420V 50Hz / 440-480V 60Hz 3~	3PHASE	13.0	C/V	750	26.0	POE 22	20.4	45.0	277.0	10.9	F

Note: Please check Test Conditions on page 30.

* Under development

	Condensing Temperature °C	Cooling Capacity / Evaporating Temperature °C													Drawings		MODEL
		Subcooled condition W													External View ref.	Wiring Diagram ref.	
		-40	-35	Rated Point -23.3°C				Cooling W	kcal/h	W. input W	Current A	EER W/W	kcal/hW	-20			
-30	-25			204	303												
	54.4			204	303	339	292	314	2.50	1.08	0.93	416	544	687	DWG03	SM05	NE2125GK
	45	107	170	252	351							469	605	760			
	54.4			283	424	476	409	388	2.60	1.23	1.06	585	765	965	DWG03	SM05	NE2134GK
	45	125	236	363	508							671	850	1047			
	54.4			163	214	235	202	182	1.25	1.29	1.11	278	352	438	DWG02	SM05	NEK2117GK
	45	109	142	184	236							297	367	449			
	54.4			198	246	265	228	223	1.43	1.19	1.02	312	392	480	DWG03	SM03	NEK1121GK
	45	126	170	222	285							345	422	496			
	54.4			199	259	283	243	219	1.37	1.29	1.11	334	422	523	DWG03	SM05	NEK2121GK
	45	133	170	220	283							356	442	538			
	54.4			225	282	310	267	254	1.83	1.22	1.05	345	405	470	DWG03	SM03	NEK1125GK
	45	128	186	248	308							370	435	500			
	54.4			243	314	341	293	279	2.04	1.22	1.05	398	494	603	DWG03	SM05	NEK2125GK
	45	156	202	262	334							420	520	633			
	54.4			279	374	398	343	303	2.18	1.31	1.13	469	588	722	DWG03	SM05	NEK2130GK
	45	171	229	303	401							499	622	760			
	54.4			315	415	450	388	356	2.32	1.26	1.09	532	668	822	DWG03	SM03	NEK1134GK
	45	192	256	340	445							568	710	872			
	54.4			327	442	464	399	358	2.35	1.30	1.11	544	679	833	DWG03	SM05	NEK2134GK
	45	203	269	353	463							579	720	879			
	54.4			430	550	595	512	484	3.15	1.23	1.06	680	820	970	DWG03	SM03	NEK1150GK
	45	270	355	465	600							756	940	1148			
	54.4			445	570	616	530	497	3.10	1.24	1.07	716	888	1086	DWG03	SM05	NEK2150GK
	45	286	366	473	628							763	947	1156			
	54.4			494	640	704	605	604	3.75	1.17	1.00	807	995	1205	DWG03	SM05	NEK2168GK
	45	304	407	535	687							860	1058	1280			
	54.4			500	650	707	608	520	2.58	1.36	1.17	828	1030	1258	DWG03	SM06	NEK2168GK
	45	302	406	538	695							880	1095	1336			
	54.4			368	524	586	504	458	2.00	1.28	1.10	717	948	1215	DWG12	SM13	T2155GK
	45	220	299	420	583							789	1037	1327			
	54.4			368	524	586	504	495	3.60	1.18	1.01	717	948	1215	DWG08	SM09	T2155GK-
	45	220	299	420	583							789	1037	1327			
	54.4			487	678	752	647	547	2.50	1.38	1.19	906	1169	1467	DWG10	SM13	T2168GK
	45	293	405	558	753							988	1264	1582			
	54.4			487	678	752	647	617	3.90	1.22	1.05	906	1169	1467	DWG09	SM09	T2168GK-
	45	293	405	558	753							988	1264	1582			
	54.4			606	827	910	783	678	3.20	1.34	1.15	1081	1368	1688	DWG11	SM13	T2178GK
	45	351	496	678	897							1155	1450	1782			
	54.4			606	827	910	783	758	4.90	1.20	1.03	1081	1368	1688	DWG09	SM09	T2178GK-
	45	351	496	678	897							1155	1450	1782			
	54.4			639	873	994	855	790	3.90	1.26	1.08	1147	1460	1813	DWG11	SM13	T2180GK
	45	389	540	733	969							1246	1565	1927			
	54.4			639	873	994	855	810	4.00	1.23	1.06	1147	1460	1813	DWG11	SM13	T2180GJ
	45	389	540	733	969							1246	1565	1927			
	54.4			435	585	642	552	502	3.50	1.28	1.10	762	968	1202	DWG16	SM19	NT2168GK
	45	250	355	488	648							835	1050	1292			
	54.4			-	-	642	552	-	-	-	-	-	-	-	DWG16	SM23	NT2168GK*
	45	-	-	-	-							-	-	-			
	54.4			530	718	788	678	600	3.82	1.30	1.12	935	1182	1456	DWG16	SM19	NT2178GK
	45	292	432	600	792							1010	1258	1530			
	54.4			544	735	806	694	564	2.56	1.43	1.23	956	1206	1486	DWG16	SM23	NT2178GK
	45	300	442	610	808							1032	1285	1565			
	54.4			560	734	800	688	696	4.30	1.15	0.99	934	1160	1370	DWG16	SM19	NT2178GK
	45	320	464	625	814							1032	1280	1492			
	54.4			-	-	800	688	-	-	-	-	-	-	-	DWG16	SM23	NT2178GK*
	45	-	-	-	-							-	-	-			
	54.4			648	856	934	804	749	4.66	1.25	1.07	1100	1380	1690	DWG16	SM19	NT2180GK
	45	380	530	715	936							1194	1485	1814			
	54.4			-	-	934	804	-	-	-	-	-	-	-	DWG16	SM23	NT2180GK*
	45	-	-	-	-							-	-	-			
	54.4			730	965	1054	906	814	4.92	1.29	1.11	1238	1552	1906	DWG16	SM19	NT2192GK
	45	436	594	796	1040							1328	1662	2038			
	54.4			754	998	1088	936	744	3.46	1.46	1.26	1280	1598	1956	DWG16	SM23	NT2192GK
	45	442	606	814	1064							1358	1698	2080			
	54.4			752	1021	1125	968	854	4.00	1.32	1.14	1345	1725	2161	DWG14	SM16	NJ2192GK
	45	418	629	880	1172							1503	1875	2287			
	54.4			752	1021	1125	968	913	1.90	1.23	1.06	1345	1725	2161	DWG14	SM18	NJ2192GS
	45	418	629	880	1172							1503	1875	2287			
	54.4			945	1333	1477	1270	1097	5.30	1.35	1.16	1775	2273	2825	DWG14	SM16	NJ2212GK
	45	491	753	1085	1486							1957	2496	3106			
	54.4			945	1333	1477	1270	1139	2.00	1.30	1.12	1775	2273	2825	DWG14	SM18	NJ2212GS
	45	491	753	1085	1486							1957	2496	3106			

REFRIGERANT APPLICATION FREQUENCY
R-404A / R-507 MBP 50Hz

MODEL	Displacement		B.O.M.	Voltage / Frequency	Motor Type	LRA	Exp. Device	Lubricant			Weight		Max. Height A		Cooling Type
	cm ³	in ³						Charge cm ³	oz ³	Type	kg	lb	mm	in	
NB6144GK	4.52	0.28	994IA	220-240V 50Hz 1~	CSIR	15.3	C/V	350	12.0	POE 22	10.3	22.7	187.0	7.4	F
NB6152GK	5.02	0.31	994LA	220-240V 50Hz 1~	CSIR	15.3	C/V	350	12.0	POE 22	10.3	22.7	187.0	7.4	F
NB6165GK	6.05	0.37	994NA	220-240V 50Hz 1~	CSIR	13.8	C/V	350	12.0	POE 22	10.4	22.9	187.0	7.4	F
NE5181GK	7.28	0.44	952KA	220-240V 50Hz 1~	RSIR	22.2	C	350	12.0	POE 22	11.0	24.3	200.0	7.9	F
NE6181GK	7.28	0.44	952LA	220-240V 50Hz 1~	CSIR	16.5	C/V	350	12.0	POE 22	11.0	24.3	200.0	7.9	F
NE6181GK	7.28	0.44	952LN	200-240V 50Hz / 230V 60Hz 1~	CSIR	13.4	C/V	350	12.0	POE 22	10.9	24.0	200.0	7.9	F
NE6210GK	8.78	0.54	951NA	220-240V 50Hz 1~	CSIR	13.8	C/V	350	12.0	POE 22	10.5	23.1	187.0	7.4	F
NE9213GK	12.12	0.74	953EA	220-240V 50Hz 1~	CSR	14.1	C/V	350	12.0	POE 22	10.7	23.6	206.0	8.1	F
NEK6144GK	4.52	0.28	957GA	220-240V 50Hz 1~	CSIR	9.6	C/V	350	12.0	POE 22	10.4	22.9	187.0	7.4	F
NEK6165GK	6.20	0.38	957IA	220-240V 50Hz 1~	CSIR	12.4	C/V	350	12.0	POE 22	10.4	22.9	187.0	7.4	F
NEK6181GK	7.28	0.44	957MA	220-240V 50Hz 1~	CSIR	12.0	C/V	350	12.0	POE 22	10.4	22.9	187.0	7.4	F
NEK6210GK	8.78	0.54	958CA	220-240V 50Hz 1~	CSIR	10.1	C/V	350	12.0	POE 22	11.0	24.3	200.0	7.9	F
NEK6213GK	12.12	0.74	959BA	220-240V 50Hz 1~	CSIR	19.3	C/V	350	12.0	POE 22	11.6	25.5	206.0	8.1	F
NEK6217GK	14.30	0.87	959GA	220-240V 50Hz 1~	CSR	21.5	C/V	350	12.0	POE 22	11.6	25.5	206.0	8.1	F
T6217GK	14.50	0.88	931AA	220-240V 50Hz 1~	CSIR	22.0	C/V	550	20.0	POE 22	16.6	36.6	221.0	8.7	F
T6220GK	17.40	1.06	931BA	220-240V 50Hz 1~	CSR	26.5	C/V	550	20.0	POE 22	16.7	36.8	221.0	8.7	F
T6222GK	20.40	1.25	936VA	220-240V 50Hz~	CSR	29.5	C/V	550	20.0	POE 22	16.7	36.8	221.0	8.7	F
NT6217GK	12.60	0.77	922AN	200-240V 50Hz / 230V 60Hz 1~	CSIR	25.0	C/V	450	15.7	POE 22	16.9	37.2	220.0	8.7	F
NT6217GK*	12.60	0.77	922AN	200-240V 50Hz / 230V 60Hz 1~	CSR	25.0	C/V	450	15.7	POE 22	16.9	37.2	220.0	8.7	F
NT6220GK*	14.50	0.88	922BN	200-240V 50Hz / 230V 60Hz 1~	CSIR	29.5	C/V	450	15.7	POE 22	17.2	37.8	220.0	8.7	F
NT6220GK*	14.50	0.88	922BN	200-240V 50Hz / 230V 60Hz 1~	CSR	29.5	C/V	450	15.7	POE 22	17.2	37.8	220.0	8.7	F
NT6222GK	17.40	1.06	922CN	200-240V 50Hz / 230V 60Hz 1~	CSIR	37.0	C/V	450	15.7	POE 22	17.2	37.8	220.0	8.7	F
NT6222GK*	17.40	1.06	922CN	200-240V 50Hz / 230V 60Hz 1~	CSR	37.0	C/V	450	15.7	POE 22	17.2	37.8	220.0	8.7	F
NT6226GK	22.40	1.37	923BA	220-240V 50Hz 1~	CSIR	38.0	C/V	450	15.7	POE 22	18.1	39.8	234.0	9.3	F
NT6226GK	22.40	1.37	923BA	220-240V 50Hz 1~	CSR	38.0	C/V	450	15.7	POE 22	18.1	39.8	234.0	9.3	F
NJ9226GK	21.70	1.32	944LV	230V 50Hz 1~	CSR	27.5	C/V	750	26.0	POE 22	20.8	45.9	265.0	10.4	F
NJ9226GS	21.70	1.32	948LM	380-420V 50Hz / 440-480V 60Hz 3~	3PHASE	10.0	C/V	750	26.0	POE 22	19.7	43.4	265.0	10.4	F
NJ9232GK	26.20	1.60	943NA	220-240V 50Hz 1~	CSR	43.0	C/V	750	26.0	POE 22	22.1	48.7	277.0	10.9	F
NJ9232GS	26.20	1.60	947NM	380-420V 50Hz / 440-480V 60Hz 3~	3PHASE	13.0	C/V	750	26.0	POE 22	22.1	48.7	277.0	10.9	F
NJ9238GK	32.70	2.00	943RV	230V 50Hz 1~	CSR	43.0	C/V	750	26.0	POE 22	22.1	48.7	277.0	10.9	F
NJ9238GS	32.70	2.00	947RM	380-420V 50Hz / 440-480V 60Hz 3~	3PHASE	22.0	C/V	750	26.0	POE 22	21.7	47.8	277.0	10.9	F

Note: Please check Test Conditions on page 30.

* Under development

REFRIGERANT APPLICATION FREQUENCY
R-407C AC 50Hz

MODEL	Displacement		B.O.M.	Voltage / Frequency	Motor Type	LRA	Exp. Device	Lubricant			Weight		Max. Height A		Cooling Type
	cm ³	in ³						Charge cm ³	oz ³	Type	kg	lb	mm	in	
NE7213GF	12.12	0.73	954CA	220-240V 50Hz 1~	PSC	13.0	C	350	12.0	POE 22	11.6	25.6	218.0	8.6	F
NE7215GF	13.54	0.81	954HA	220-240V 50Hz 1~	PSC	19.0	C	350	12.0	POE 22	11.9	26.2	218.0	8.6	F
T7220GF	17.40	1.06	936XA	220-240V 50Hz	PSC	26.0	C/V	550	20.0	POE 22	15.0	33.1	221.0	8.7	F
T7223GF	20.40	1.24	936OA	220-240V 50Hz 1~	PSC	30.0	C	550	20.0	POE 22	15.4	34.0	221.0	8.7	F

Note: Please check Test Conditions on page 30.

FREQUENCY

APPLICATION

REFRIGERANT

50Hz

MBP

R-404A / R-507

Condensing Temperature	Cooling Capacity / Evaporating Temperature °C														Drawings		MODEL
	Subcooled condition W														External View	Wiring Diagram	
	Rated Point +7.2°C																
°C	-20	-15	-10	-5	0	+5	Cooling		W. input	Current	EER		+10	ref.	ref.		
							W	kcal/h	W	A	W/W	kcal/hW					
54.4			301	375	459	553	598	514	320	2.10	1.87	1.61	658	DWG03	SM05	NB6144GK	
45	226	288	362	448	545	655							777				
54.4			351	437	535	646	698	600	387	2.30	1.81	1.56	769	DWG03	SM05	NB6152GK	
45	267	332	414	513	629	762							911				
54.4			429	528	641	768	828	712	488	2.90	1.70	1.46	909	DWG03	SM05	NB6165GK	
45	327	409	507	623	756	906							1074				
54.4			488	625	784	964	1049	902	468	2.90	2.24	1.93	1165	DWG03	SM03	NE5181GK	
45	361	470	604	764	949	1160							1395				
54.4			456	585	738	916	1002	862	460	2.80	2.18	1.87	1118	DWG03	SM05	NE6181GK	
45	340	444	575	731	913	1121							1354				
54.4			479	613	767	942	1025	882	468	3.00	2.19	1.88	1137	DWG03	SM05	NE6181GK	
45	356	463	596	754	938	1147							1382				
54.4			566	721	893	1082	1170	1006	591	3.30	1.98	1.70	1288	DWG03	SM05	NE6210GK	
45	415	550	708	888	1090	1315							1561				
54.4			862	1080	1327	1602	1732	1490	768	3.50	2.26	1.94	1906	DWG04	SM06	NE9213GK	
45	644	833	1055	1309	1596	1914							2265				
54.4			350	451	549	660	714	614	313	1.77	2.28	1.96	786	DWG03	SM05	NEK6144GK	
45	321	371	445	539	653	787							941				
54.4			520	626	751	895	965	830	471	2.54	2.04	1.76	1059	DWG03	SM05	NEK6165GK	
45	436	512	610	734	883	1056							1253				
54.4			565	689	836	1006	1089	936	515	2.99	2.11	1.82	1200	DWG03	SM05	NEK6181GK	
45	454	553	677	826	1000	1198							1422				
54.4			669	821	999	1205	1303	1121	628	3.49	2.07	1.79	1436	DWG03	SM05	NEK6210GK	
45	566	674	815	988	1195	1435							1707				
54.4			919	1120	1350	1610	1736	1493	982	5.52	1.77	1.52	1901	DWG03	SM05	NEK6213GK	
45	695	884	1093	1333	1600	1894							2215				
54.4			1120	1360	1630	1932	2074	1784	1010	4.86	2.05	1.77	2263	DWG03	SM06	NEK6217GK	
45	882	1075	1310	1590	1908	2270							2674				
54.4			959	1220	1512	1833	1984	1706	1010	5.40	1.96	1.69	2184	DWG08	SM08	T6217GK	
45	680	922	1195	1499	1833	2198							2594				
54.4			1161	1471	1823	2214	2400	2064	1104	5.10	2.17	1.87	2647	DWG12	SM12	T6220GK	
45	842	1124	1444	1802	2197	2630							3101				
54.4			1456	1822	2233	2686	2895	2490	1318	6.20	2.20	1.89	3184	DWG12	SM12	T6222GK	
45	1074	1392	1764	2190	2670	3204							3794				
54.4			890	1108	1358	1640	1820	1565	813	4.90	2.24	1.92	1955	DWG16	SM19	NT6217GK	
45	700	874	1095	1364	1678	2040							2445				
54.4			-	-	-	-	1820	1565	-	-	-	-	-	DWG16	SM23	NT6217GK*	
45	-	-	-	-	-	-							-				
54.4			-	-	-	-	2210	1900	-	-	-	-	-	DWG16	SM19	NT6220GK*	
45	-	-	-	-	-	-							-				
54.4			-	-	-	-	2210	1900	-	-	-	-	-	DWG16	SM23	NT6220GK*	
45	-	-	-	-	-	-							-				
54.4			1270	1580	1920	2298	2500	2150	1200	7.10	2.08	1.79	2708	DWG16	SM19	NT6222GK	
45	1005	1245	1540	1890	2300	2770							3300				
54.4			-	-	-	-	2500	2150	-	-	-	-	-	DWG16	SM23	NT6222GK*	
45	-	-	-	-	-	-							-				
54.4			1704	2084	2528	3038	3220	2770	1540	8.47	2.10	1.80	3620	DWG17	SM22	NT6226GK	
45	1298	1625	2010	2462	2986	3590							4275				
54.4			1744	2144	2598	3095	3356	2886	1376	6.60	2.44	2.10	3656	DWG17	SM21	NT6226GK	
45	1314	1650	2058	2532	3068	3658							4298				
54.4			1584	1998	2470	2998	3249	2794	1325	5.80	2.45	2.11	3584	DWG14	SM17	NJ9226GK	
45	1165	1508	1922	2409	2968	3598							4300				
54.4			1584	1998	2470	2998	3249	2794	1300	2.40	2.50	2.15	3584	DWG14	SM18	NJ9226GS	
45	1165	1508	1922	2409	2968	3598							4300				
54.4			1940	2456	3045	3706	4021	3458	1576	7.20	2.55	2.19	4441	DWG14	SM17	NJ9232GK	
45	1421	1841	2354	2959	3656	4444							5325				
54.4			1940	2456	3045	3706	4021	3458	1615	2.90	2.49	2.14	4441	DWG14	SM18	NJ9232GS	
45	1421	1841	2354	2959	3656	4444							5325				
54.4			2415	3014	3697	4463	4827	4151	2109	9.60	2.29	1.97	5313	DWG14	SM17	NJ9238GK	
45	1845	2374	2990	3693	4481	5356							6317				
54.4			2415	3014	3697	4463	4827	4151	1900	4.00	2.54	2.18	5313	DWG14	SM18	NJ9238GS	
45	1845	2374	2990	3693	4481	5356							6317				

FREQUENCY

APPLICATION

REFRIGERANT

50Hz

AC

R-407C

Condensing Temperature	Cooling Capacity / Evaporating Temperature °C											Drawings		MODEL
	Subcooled condition W											External View	Wiring Diagram	
	Rated Point +7.2°C													
°C	0	+5	Cooling		W. input	Current	EER		+10	+15	ref.	ref.		
			W	kcal/h	W	A	W/W	kcal/hW						
54.4	1191	1472	1607	1382	664	3.20	2.42	2.08	1784	2128	DWG07	SM07	NE7213GF	
45	1384	1708							2070	2471				
54.4	1286	1607	1762	1515	726	3.60	2.43	2.09	1966	2366	DWG07	SM07	NE7215GF	
45	1531	1891							2292	2734				
54.4	1664	2071	2270	1952	982	5.00	2.31	1.99	2523	3019	DWG12	SM11	T7220GF	
45	1972	2428							2929	3476				
54.4	1951	2428	2660	2288	1151	5.90	2.31	1.99	2958	3540	DWG12	SM11	T7223GF	
45	2312	2487							3434	4074				

REFRIGERANT	APPLICATION	FREQUENCY
R-407C	AC	50Hz

MODEL	Displacement		B.O.M.	Voltage / Frequency	Motor Type	LRA	Exp. Device	Lubricant			Weight		Max. Height A		Cooling Type
	cm ³	in ³						Charge	Type	kg	lb	mm	in		
NJ7225GF	21.70	1.32	942BA	220-240V 50Hz 1~	PSC	30.0	C	750	26.0	POE 22	19.3	42.5	253.0	10.0	F
NJ7228GF	23.80	1.45	942CA	220-240V 50Hz 1~	PSC	30.0	C	750	26.0	POE 22	20.0	44.1	253.0	10.0	F
NJ7231GF	26.20	1.60	944EA	220-240V 50Hz 1~	PSC	37.0	C	750	26.0	POE 22	20.4	45.0	265.0	10.4	F
NJ7231GP	26.20	1.60	948CM	380-420V 50Hz / 440-480V 60Hz 3~	3PHASE	18.0	C/V	750	26.0	POE 22	20.1	44.3	265.0	10.4	F
NJ7240GF	34.37	2.10	943FA	220-240V 50Hz 1~	PSC	50.0	C	750	26.0	POE 22	22.3	49.2	277.0	10.9	F
NJ7240GP	34.37	2.10	947CM	380-420V 50Hz / 440-480V 60Hz 3~	3PHASE	22.0	C/V	750	26.0	POE 22	21.4	47.2	277.0	10.9	F

Note: Please check Test Conditions on page 30.

REFRIGERANT	APPLICATION	FREQUENCY
R-600a	LBP	50Hz

MODEL	Displacement		B.O.M.	Voltage / Frequency	Motor Type	LRA	Exp. Device	Lubricant			Weight		Max. Height A		Cooling Type
	cm ³	in ³						Charge	Type	kg	lb	mm	in		
NBM1114Y	10.00	0.61	817BA	220-240V 50Hz 1~	RSIR-RSCR	6.3	C	350	12.0	MO 15	10.1	22.3	187.0	7.4	S
NBM1116Y	12.30	0.75	818AA	220-240V 50Hz 1~	RSIR-RSCR	7.1	C	350	12.0	MO 15	10.7	23.6	200.0	7.9	S
NBM1118Y	14.30	0.87	818BA	220-240V 50Hz 1~	RSIR-RSCR	8.1	C	350	12.0	MO 15	10.7	23.6	200.0	7.9	S

Note: Please check Test Conditions on page 30.

REFRIGERANT	APPLICATION	FREQUENCY
R-600a	HBP	50Hz

MODEL	Displacement		B.O.M.	Voltage / Frequency	Motor Type	LRA	Exp. Device	Lubricant			Weight		Max. Height A		Cooling Type
	cm ³	in ³						Charge	Type	kg	lb	mm	in		
EMT30CDP	4.50	0.27	895FA	220-240V 50Hz 1~	RSIR	3.7	C	180	6.2	MO 7	7.1	15.7	158.0	6.2	S
EMT45CDP	6.78	0.41	896DA	220-240V 50Hz 1~	RSIR	5.8	C	180	6.2	MO 7	7.5	16.5	166.0	6.5	S
NEK6144Y	10.00	0.61	861HA	220-240V 50Hz 1~	CSIR	12.4	C/V	350	12.0	MO 32	10.4	22.9	187.0	7.4	F
NEK6160Y	12.12	0.74	861IA	220-240V 50Hz 1~	CSIR	12.4	C/V	350	12.0	MO 32	10.4	22.9	187.0	7.4	F
NEK6170Y	14.30	0.87	861LA	220-240V 50Hz 1~	CSIR	12.4	C/V	350	12.0	MO 32	10.4	22.9	187.0	7.4	F

Note: Please check Test Conditions on page 30.

FREQUENCY										APPLICATION		REFRIGERANT	
50Hz										AC		R-407C	

Condensing Temperature °C	Cooling Capacity / Evaporating Temperature °C Subcooled condition											Drawings		MODEL
	Rated Point +7.2°C											External View ref.	Wiring Diagram ref.	
	0	+5	Cooling W kcal/h		W. input W	Current A	EER W/W kcal/hW		+10	+15				
54.4	2140	2652	2897	2491	1200	6.00	2.41	2.08	3216	3835	DWG14	SM15	NJ7225GF	
45	2523	3099							3741	4448				
54.4	2347	2908	3177	2732	1316	6.60	2.41	2.08	3528	4206	DWG14	SM15	NJ7228GF	
45	2767	3399							4102	4878				
54.4	2584	3201	3497	3007	1448	7.30	2.42	2.08	3884	4630	DWG14	SM15	NJ7231GF	
45	3047	3742							4517	5370				
54.4	2584	3201	3497	3007	1398	2.70	2.50	2.15	3884	4630	DWG14	SM18	NJ7231GP	
45	3047	3742							4517	5370				
54.4	3390	4200	4587	3945	1900	9.60	2.41	2.08	5095	6074	DWG14	SM15	NJ7240GF	
45	4909	5926							7044	8267				
54.4	3390	4200	4587	3945	1833	3.40	2.50	2.15	5095	6074	DWG14	SM18	NJ7240GP	
45	4909	5926							7044	8267				

FREQUENCY										APPLICATION		REFRIGERANT	
50Hz										LBP		R-600a	

Condensing Temperature °C	Cooling Capacity / Evaporating Temperature °C Subcooled condition													Drawings		MODEL
	Rated Point -23.3°C													External View ref.	Wiring Diagram ref.	
	-30	-25	Cooling W kcal/h		W. input W	Current A	EER W/W kcal/hW		-20	-15	-10	-5				
54.4	139	139	153	132	118	0.80	1.30	1.12	184	236	295	362	DWG02	SM00	NBM1114Y	
45	114	151							196	249	311	381				
54.4	176	176	191	164	143	1.00	1.34	1.15	225	285	357	440	DWG02	SM00	NBM1116Y	
45	149	188							240	305	383	474				
54.4	203	203	221	190	162	1.10	1.37	1.18	260	330	412	507	DWG02	SM00	NBM1118Y	
45	172	217							277	351	439	541				

FREQUENCY										APPLICATION		REFRIGERANT	
50Hz										HBP		R-600a	

Condensing Temperature °C	Cooling Capacity / Evaporating Temperature °C Subcooled condition													Drawings		MODEL
	Rated Point +7.2°C													External View ref.	Wiring Diagram ref.	
	-15	-10	-5	0	+5	Cooling W kcal/h		W. input W	Current A	EER W/W kcal/hW		+10				
54.4	162	162	162	200	242	256	220	101	0.66	2.52	2.18	290	DWG01	SM00	EMT30CDP	
45	112	142	180	222	268							320				
54.4	236	236	236	290	354	390	335	152	0.92	2.56	2.20	430	DWG01	SM00	EMT45CDP	
45	164	209	262	322	392							477				
54.4	330	330	330	412	505	550	473	229	1.74	2.40	2.07	609	DWG03	SM05	NEK6144Y	
45	234	298	373	460	563							676				
54.4	412	412	412	510	622	678	583	268	1.84	2.53	2.17	750	DWG03	SM05	NEK6160Y	
45	291	370	464	572	694							833				
54.4	496	496	496	612	744	808	696	327	2.06	2.47	2.13	892	DWG03	SM05	NEK6170Y	
45	354	448	558	686	831							994				

REFRIGERANT APPLICATION FREQUENCY
R-290 LBP 50Hz

MODEL	Displacement		B.O.M.	Voltage / Frequency	Motor Type	LRA	Exp. Device	Lubricant			Weight		Max. Height A		Cooling Type
	cm ³	in ³						Charge	Type	kg	lb	mm	in		
														cm ³	
NEK2117U	4.52	0.28	861AA	220-240V 50Hz 1~	CSIR	9.6	C/V	350	12.0	POE 22	10.4	22.9	187.0	7.4	S
NEK1121U	6.20	0.38	862BA	220-240V 50Hz 1~	RSIR	15.5	C	350	12.0	POE 22	10.4	22.9	187.0	7.4	S
NEK2121U	6.20	0.38	861BA	220-240V 50Hz 1~	CSIR	12.4	C/V	350	12.0	POE 22	10.4	22.9	187.0	7.4	F
NEK2125U	7.28	0.44	861CA	220-240V 50Hz 1~	CSIR	12.4	C/V	350	12.0	POE 22	10.4	22.9	187.0	7.4	F
NEK2125U	7.28	0.44	862DA	220-240V 50Hz 1~	CSIR	12.4	C/V	350	12.0	POE 22	10.4	22.9	200.0	7.4	S
NEK2134U	10.00	0.61	862AA	220-240V 50Hz 1~	CSIR	13.1	C/V	350	12.0	POE 22	11.0	24.3	200.0	7.9	F
NEK1150U	13.54	0.81	863BA	220-240V 50Hz 1~	RSIR	24.3	C	350	12.0	POE 22	11.6	25.5	206.0	8.1	F
NEK2150U	13.54	0.81	863AA	220-240V 50Hz 1~	CSIR	19.5	C/V	350	12.0	POE 22	11.6	25.5	206.0	8.1	F

Note: Please check Test Conditions on page 30.

REFRIGERANT APPLICATION FREQUENCY
R-290 HBP 50Hz

MODEL	Displacement		B.O.M.	Voltage / Frequency	Motor Type	LRA	Exp. Device	Lubricant			Weight		Max. Height A		Cooling Type
	cm ³	in ³						Charge	Type	kg	lb	mm	in		
														cm ³	
NEK6152U	5.45	0.33	861DA	220-240V 50Hz 1~	CSIR	9.6	C/V	350	12.0	POE 22	10.4	22.9	187.0	7.4	F
NEK6165U	6.20	0.38	861EA	220-240V 50Hz 1~	CSIR	12.0	C/V	350	12.0	POE 22	10.4	22.9	187.0	7.4	F
NEK6181U	7.28	0.44	861FA	220-240V 50Hz 1~	CSIR	12.0	C/V	350	12.0	POE 22	10.4	22.9	187.0	7.4	F
NEK6210U	8.78	0.54	862CA	220-240V 50Hz 1~	CSIR	16.0	C/V	350	12.0	POE 22	11.0	24.3	200.0	7.9	F

Note: Please check Test Conditions on page 30.

REFRIGERANT APPLICATION FREQUENCY
R-134a LBP 60Hz

MODEL	Displacement		B.O.M.	Voltage / Frequency	Motor Type	LRA	Exp. Device	Lubricant			Weight		Max. Height A		Cooling Type
	cm ³	in ³						Charge	Type	kg	lb	mm	in		
														cm ³	
NB1112Z	6.26	0.38	293FG	115V 60Hz / 100V 50Hz 1~	RSIR RSCR	20.0	C	350	12.0	POE 22	9.5	20.9	177.0	7.0	S
NB1116Z	8.40	0.51	294SG	115V 60Hz / 100V 50Hz 1~	RSIR RSCR	27.5	C	350	12.0	POE 22	9.8	21.6	187.0	7.4	S
NB1118Z	8.07	0.49	294UG	115V 60Hz / 100V 50Hz 1~	RSIR RSCR	28.0	C	350	12.0	POE 22	10.4	22.9	187.0	7.4	S
NB2116Z	8.40	0.51	294TG	115V 60Hz / 100V 50Hz 1~	CSIR	26.5	C/V	350	12.0	POE 22	9.8	21.6	187.0	7.4	S
NE2121Z	9.27	0.57	262BG	115V 60Hz / 100V 50Hz 1~	CSIR	29.0	C/V	350	12.0	POE 22	11.0	24.3	200.0	7.9	F
NE2130Z	12.12	0.74	262DG	115V 60Hz / 100V 50Hz 1~	CSIR	38.0	C/V	350	12.0	POE 22	11.0	24.3	200.0	7.9	F
NE2134Z	14.30	0.87	263CD	208-230V 60Hz / 200V 50Hz 1~	CSIR	20.4	C/V	350	12.0	POE 22	11.5	25.4	206.0	8.1	F
NE2134Z	14.30	0.87	262JG	115V 60Hz / 100V 50Hz 1~	CSIR	33.0	C/V	350	12.0	POE 22	11.5	25.4	200.0	7.9	F
T2134Z	19.04	1.16	203HG	115V 60Hz / 100V 50Hz 1~	CSIR	30.0	C/V	550	20.0	POE 22	13.1	28.9	201.0	7.9	F
T2134Z	19.04	1.16	203HD	208-230V 60Hz / 200V 50Hz 1~	CSIR	21.0	C/V	550	19.0	POE 22	13.1	28.9	201.0	7.9	F
T2134Z	19.04	1.16	207IQ	100V 50/60Hz 1~	CSIR	45.5	C/V	550	20.0	POE 22	13.1	28.9	201.0	7.9	F
T2140H	22.40	1.37	207HD	208-230V 60Hz / 200V 50Hz 1~	CSIR	26.0	C/V	550	20.0	POE 22	14.9	32.8	221.0	8.7	F
NJ2152Z	27.12	1.65	144LG	115V 60Hz / 100V 50Hz 1~	CSIR	59.0	C/V	750	26.0	POE 22	20.0	44.1	265.0	10.4	F

Note: Please check Test Conditions on page 30.

FREQUENCY	APPLICATION	REFRIGERANT
50Hz	LBP	R-290

Condensing Temperature °C	Cooling Capacity / Evaporating Temperature °C Subcooled condition												Drawings		MODEL	
	-40	-35	-30	-25	Rated Point -23.3°C						-20	-15	-10	External View ref.		Wiring Diagram ref.
					W	kcal/h	W	Current A	W/W	EER kcal/hW						
54.4			133	177	188	162	158	1.24	1.19	1.03	220	274	336	DWG02	SM05	NEK2117U
45	84	111	145	192							237	294	359			
54.4			202	257	276	237	209	1.54	1.32	1.13	322	399	486	DWG03	SM03	NEK1121U
45	133	167	213	271							340	421	514			
54.4			168	225	247	212	207	1.63	1.20	1.02	293	373	465	DWG03	SM05	NEK2121U
45	106	141	187	246							317	400	495			
54.4			230	292	316	272	242	1.71	1.31	1.13	370	462	571	DWG03	SM05	NEK2125U
45	170	202	250	314							394	491	603			
54.4			215	280	300	258	232	1.75	1.30	1.12	358	445	545	DWG03	SM05	NEK2125U
45	160	195	252	325							412	515	630			
54.4			331	414	449	386	330	2.04	1.36	1.17	521	645	793	DWG03	SM05	NEK2134U
45	230	281	351	440							551	683	828			
54.4			437	557	601	517	460	3.19	1.30	1.12	697	859	1042	DWG03	SM03	NEK1150U
45	277	362	467	593							740	908	1097			
54.4			417	536	581	500	444	2.98	1.31	1.13	678	843	1031	DWG03	SM05	NEK2150U
45	264	333	441	576							723	898	1094			

FREQUENCY	APPLICATION	REFRIGERANT
50Hz	HBP	R-290

Condensing Temperature °C	Cooling Capacity / Evaporating Temperature °C Subcooled condition												Drawings		MODEL	
	-20	-15	-10	-5	0	+5	Rated Point +7.2°C						+10	External View ref.		Wiring Diagram ref.
							W	kcal/h	W	Current A	W/W	EER kcal/hW				
54.4			388	473	570	679	720	620	284	1.72	2.53	2.18	799	DWG03	SM05	NEK6152U
45	299	361	439	534	644	771							914			
54.4			443	539	650	777	839	721	344	2.32	2.44	2.09	920	DWG03	SM05	NEK6165U
45	344	416	507	615	739	881							949			
54.4			500	611	737	885	949	816	386	2.44	2.46	2.12	1040	DWG03	SM05	NEK6181U
45	386	471	574	697	840	1011							1183			
54.4			611	747	905	1083	1168	1005	459	2.75	2.55	2.19	1281	DWG03	SM05	NEK6210U
45	465	574	700	850	1025	1225							1450			

FREQUENCY	APPLICATION	REFRIGERANT
60Hz	LBP	R-134a

Condensing Temperature °C	Cooling Capacity / Evaporating Temperature °C Subcooled condition												Drawings		MODEL	
	-30	-25	Rated Point -23.3°C						-20	-15	-10	-5	External View ref.	Wiring Diagram ref.		
			W	kcal/h	W	Current A	W/W	EER kcal/hW								
54.4			152	131	156	2.00	0.98	0.84	187	247	317	397	DWG04	SM02	NB1112Z	
45	119	136	162						214	276	349	432				
54.4			183	203	175	194	2.90	1.05	0.90	247	326	418	523	DWG04	SM02	NB1116Z
45	157	209							274	352	444	548				
54.4			210	234	201	194	1.20	1.20	1.03	284	372	472	586	DWG04	SM02	NB1118Z
45	171	230							305	395	500	620				
54.4			183	203	175	198	2.90	1.03	0.89	247	326	418	523	DWG04	SM04	NB2116Z
45	157	209							274	352	444	548				
54.4			252	278	239	255	4.40	1.09	0.94	335	435	552	685	DWG04	SM04	NE2121Z
45	202	268							352	453	571	706				
54.4			332	367	315	309	4.90	1.18	1.01	440	565	709	871	DWG04	SM04	NE2130Z
45	267	350							455	580	727	895				
54.4			370	418	360	340	2.52	1.23	1.06	487	626	788	972	DWG04	SM04	NE2134Z
45	300	394							512	654	818	1006				
54.4			369	425	365	346	5.30	1.23	1.05	485	626	791	980	DWG04	SM04	NE2134Z
45	295	389							507	649	815	1006				
54.4			418	463	398	416	4.80	1.11	0.95	563	748	971	1234	DWG08	SM08	T2134Z
45	361	455							599	794	1038	1333				
54.4			418	463	398	394	3.10	1.17	1.01	563	748	971	1234	DWG08	SM08	T2134Z
45	361	455							599	794	1038	1333				
54.4			418	463	398	416	4.80	1.11	0.95	563	748	971	1234	DWG08	SM08	T2134Z
45	361	455							599	794	1038	1333				
54.4			455	512	440	425	2.90	1.21	1.04	640	873	1153	1481	DWG08	SM08	T2140H
45	382	508							692	935	1236	1596				
54.4			610	704	605	512	7.00	1.37	1.18	899	1223	1581	1974	DWG14	SM14	NJ2152Z
45	422	645							910	1215	1562	1949				

REFRIGERANT	APPLICATION	FREQUENCY
R-134a	HBP	60Hz

MODEL	Displacement		B.O.M.	Voltage / Frequency	Motor Type	LRA	Exp. Device	Lubricant			Weight		Max. Height A		Cooling Type
	cm ³	in ³						Charge cm ³	oz ³	Type	kg	lb	mm	in	
EMT37HDP	3.40	0.21	194IB	200-230V 50Hz / 208-230V 60Hz 1~	RSIR	5.4	C	180	6.2	POE 22	7.7	17.0	166.0	6.5	S
EMT50HDP	4.50	0.27	194NB	200-230V 50Hz / 208-230V 60Hz 1~	RSIR	9.1	C	180	6.2	POE 22	7.7	17.0	166.0	6.5	S
NB5125Z	3.78	0.23	293AG	115V 60Hz / 100V 50Hz 1~	RSIR	14.0	C	350	12.0	POE 22	11.5	25.4	177.0	7.0	S
NB5128Z	4.52	0.28	293BG	115V 60Hz / 100V 50Hz 1~	RSIR	17.0	C	350	12.0	POE 22	11.5	25.4	177.0	7.0	S
NB5132Z	5.02	0.31	293CG	115V 60Hz / 100V 50Hz 1~	RSIR	20.0	C	350	12.0	POE 22	9.5	20.9	177.0	7.0	S
NB6132Z	5.02	0.31	293DG	115V 60Hz / 100V 50Hz 1~	CSIR	15.1	C/V	350	12.0	POE 22	9.5	20.9	177.0	7.0	S
NB5144Z	6.05	0.37	294AG	115V 60Hz / 100V 50Hz 1~	RSIR	23.0	C	350	12.0	POE 22	9.7	21.4	187.0	7.4	F
NB6144Z	6.05	0.37	294BG	115V 60Hz / 100V 50Hz 1~	CSIR	19.3	C/V	350	12.0	POE 22	9.7	21.4	187.0	7.4	F
NE5160Z	8.00	0.49	261AG	115V 60Hz / 100V 50Hz 1~	RSIR	25.0	C	350	12.0	POE 22	9.9	21.8	187.0	7.4	F
NE6160Z	8.00	0.49	261BG	115V 60Hz / 100V 50Hz 1~	CSIR	21.5	C/V	350	12.0	POE 22	10.4	22.9	187.0	7.4	F
NE5170Z	8.78	0.54	261CG	115V 60Hz / 100V 50Hz 1~	RSIR	31.0	C	350	12.0	POE 22	10.4	22.9	187.0	7.4	F
NE6170Z	8.78	0.54	261DG	115V 60Hz / 100V 50Hz 1~	CSIR	25.0	C/V	350	12.0	POE 22	10.4	22.9	187.0	7.4	F
NE6170Z	8.78	0.54	261DD	208-230V 60Hz / 200V 50Hz 1~	CSIR	18.5	C/V	350	12.0	POE 22	10.4	22.9	187.0	7.4	F
NE5187Z	12.12	0.74	261EG	115V 60Hz / 100V 50Hz 1~	RSIR	35.0	C	350	12.0	POE 22	10.4	22.9	187.0	7.4	F
NE6187Z	12.12	0.74	261FD	208-230V 60Hz / 200V 50Hz 1~	CSIR	17.3	C/V	350	12.0	POE 22	10.4	22.9	187.0	7.4	F
NE6187Z	12.12	0.74	261FG	115V 60Hz / 100V 50Hz 1~	CSIR	29.0	C/V	350	12.0	POE 22	10.4	22.9	187.0	7.4	F
NE6210Z	13.54	0.83	262FD	208-230V 60Hz / 200V 50Hz 1~	CSIR	23.5	C/V	350	12.0	POE 22	11.0	24.3	200.0	7.9	F
NE6210Z	13.54	0.83	262FG	115V 60Hz / 100V 50Hz 1~	CSIR	37.5	C/V	350	12.0	POE 22	11.0	24.3	200.0	7.9	F
NEK6160Z	7.28	0.44	267BG	115V 60Hz / 100V 50Hz 1~	CSIR	28.5	C/V	350	12.0	POE 22	10.4	22.9	187.0	7.4	F
NEK6160Z	7.28	0.44	267BB	200-230V 50Hz / 208-230V 60Hz 1~	CSIR	13.5	C/V	350	12.0	POE 22	10.4	22.9	187.0	7.4	F
NEK6170Z	8.40	0.51	267DG	115V 60Hz / 100V 50Hz 1~	CSIR	26.5	C/V	350	12.0	POE 22	10.4	22.9	187.0	7.4	F
NEK6170Z	8.40	0.51	268DB	200-230V 50Hz / 208-230V 60Hz 1~	CSIR	16.5	C/V	350	12.0	POE 22	11.0	24.3	200.0	7.9	F
NEK6187Z	10.00	0.61	268AG	115V 60Hz / 100V 50Hz 1~	CSIR	37.0	C/V	350	12.0	POE 22	11.0	24.3	200.0	7.9	F
NEK6187Z	10.00	0.61	269BB	200-230V 50Hz / 208-230V 60Hz 1~	CSIR	19.3	C/V	350	12.0	POE 22	11.0	24.3	206.0	8.1	F
NEK6210Z	12.12	0.74	268BG	115V 60Hz / 100V 50Hz 1~	CSIR	37.0	C/V	350	12.0	POE 22	11.0	24.3	200.0	7.9	F
NEK6210Z	12.12	0.74	269EB	200-230V 50Hz / 208-230V 60Hz 1~	CSIR	20.0	C/V	350	12.0	POE 22	11.0	24.3	206.0	8.1	F
NEK6212Z	14.30	0.87	269AG	115V 60Hz / 100V 50Hz 1~	CSIR	40.0	C/V	350	12.0	POE 22	11.0	24.3	206.0	8.1	F
NEK6212Z	14.30	0.87	269AB	200-230V 50Hz / 208-230V 60Hz 1~	CSR	22.5	C/V	350	12.0	POE 22	11.0	24.3	206.0	8.1	F
T6213Z	17.40	1.06	203LG	115V 60Hz / 100V 50Hz 1~	CSIR	36.0	C/V	550	19.0	POE 22	13.7	30.2	201.0	7.9	F
T6213Z	17.40	1.06	206DD	208-230V 60Hz / 200V 50Hz~	CSIR	30.0	C/V	550	19.0	POE 22	13.7	30.2	221.0	8.7	F
T6215Z	20.40	1.24	206ZD	208-230V 60Hz / 200V 50Hz 1~	CSIR	28.8	C/V	550	20.0	POE 22	14.5	32.0	221.0	8.7	F
T6215Z	20.40	1.24	206ZG	115V 60Hz / 100V 50Hz 1~	CSIR	51.0	C/V	550	20.0	POE 22	14.5	32.0	221.0	8.7	F
T6217Z	22.40	1.36	206TD	208-230V 60Hz / 200V 50Hz 1~	CSIR	28.8	C/V	550	20.0	POE 22	16.3	35.9	221.0	8.7	F
T6217Z	22.40	1.36	206TG	115V 60Hz / 100V 50Hz 1~	CSIR	48.8	C/V	550	20.0	POE 22	16.3	35.9	221.0	8.7	F
NT6215Z	17.40	1.06	211AG	115V 60Hz / 100V 50Hz 1~	CSIR	44.0	C/V	450	16.0	POE 22	15.7	34.5	207.0	8.1	F
NT6217Z	20.40	1.24	212BG	115V 60Hz / 100V 50Hz 1~	CSIR	45.0	C/V	450	16.0	POE 22	16.5	36.3	220.0	8.7	F
NT6220Z	22.40	1.36	212CG	115V 60Hz / 100V 50Hz 1~	CSIR	54.5	C/V	450	16.0	POE 22	16.5	36.3	220.0	8.7	F
NT6220Z*	22.40	1.36	212CG	115V 60Hz / 100V 50Hz 1~	CSR	54.5	C/V	450	16.0	POE 22	16.5	36.3	220.0	8.7	F

Note: Please check Test Conditions on page 30.

* Under development

Condensing Temperature	Cooling Capacity / Evaporating Temperature °C												Drawings		MODEL	
	Subcooled condition W												External View	Wiring Diagram		
	Rated Point +7.2°C															
°C	-15	-10	-5	0	+5	W	kcal/h	W	Current	W/W	EER	kcal/hW	+10	ref.	ref.	
54.4																
45	192	238	258	320	392	422	363	170	0.95	2.47	2.13	473	DWG01	SM00	EMT37HDP	
54.4																
45	258	320	295	365	446	562	484	221	1.20	2.54	2.19	540	DWG01	SM00	EMT50HDP	
54.4																
45	142	185	200	256	320	351	302	189	2.20	1.85	1.60	393	DWG04	SM02	NB5125Z	
54.4																
45	176	227	238	301	375	427	367	219	2.50	1.95	1.68	458	DWG04	SM02	NB5128Z	
54.4																
45	213	272	246	312	390	505	434	270	3.00	1.87	1.61	478	DWG04	SM02	NB5132Z	
54.4																
45	221	283	298	374	463	518	445	274	2.90	1.89	1.63	549	DWG04	SM04	NB6132Z	
54.4																
45	273	345	309	386	476	617	531	350	3.80	1.77	1.52	643	DWG04	SM02	NB5144Z	
54.4																
45	273	345	379	468	569	617	531	350	3.80	1.77	1.52	661	DWG04	SM04	NB6144Z	
54.4																
45	315	430	466	613	766	835	718	374	4.00	2.24	1.93	767	DWG04	SM02	NE5160Z	
54.4																
45	315	430	564	715	884	835	718	374	4.00	2.24	1.93	925	DWG04	SM04	NE6160Z	
54.4																
45	380	502	545	699	874	958	824	419	4.70	2.29	1.97	1071	DWG04	SM02	NE5170Z	
54.4																
45	366	490	529	683	858	942	810	418	4.80	2.25	1.94	1228	DWG04	SM04	NE6170Z	
54.4																
45	406	519	560	715	891	967	832	419	2.64	2.31	1.99	1054	DWG04	SM04	NE6170Z	
54.4																
45	520	675	637	807	1000	1278	1099	616	7.10	2.08	1.79	1216	DWG04	SM02	NE5187Z	
54.4																
45	520	675	734	935	1166	1278	1099	616	7.10	2.08	1.79	1428	DWG04	SM04	NE6187Z	
54.4																
45	520	675	734	935	1166	1278	1099	616	7.10	2.08	1.79	1665	DWG04	SM04	NE6187Z	
54.4																
45	602	775	849	1071	1324	1445	1243	686	3.80	2.11	1.81	1428	DWG04	SM04	NE6210Z	
54.4																
45	602	775	849	1071	1324	1445	1243	686	7.60	2.11	1.81	1665	DWG04	SM04	NE6210Z	
54.4																
45	359	455	498	625	773	845	727	360	4.66	2.35	2.02	1609	DWG04	SM04	NEK6160Z	
54.4																
45	358	452	574	715	880	842	724	349	2.40	2.41	2.07	1847	DWG03	SM04	NEK6160Z	
54.4																
45	427	537	497	624	771	978	841	418	4.95	2.34	2.01	1066	DWG04	SM04	NEK6170Z	
54.4																
45	431	539	583	724	892	974	838	414	2.42	2.35	2.02	1236	DWG03	SM04	NEK6170Z	
54.4																
45	485	603	590	730	894	1122	965	486	5.82	2.30	1.99	1082	DWG04	SM04	NEK6187Z	
54.4																
45	512	630	674	837	1027	1115	959	485	2.97	2.30	1.98	1244	DWG03	SM04	NEK6187Z	
54.4																
45	573	726	662	828	1026	1326	1140	608	6.83	2.18	1.88	1253	DWG04	SM04	NEK6210Z	
54.4																
45	520	680	912	1133	1387	1270	1090	605	3.75	2.10	1.80	1428	DWG03	SM04	NEK6210Z	
54.4																
45	652	837	720	910	1145	1518	1305	766	8.95	1.98	1.70	1678	DWG04	SM04	NEK6212Z	
54.4																
45	665	850	840	1060	1320	1475	1268	747	4.30	1.98	1.70	1450	DWG03	SM06	NEK6212Z	
54.4																
45	668	879	920	1143	1396	1712	1472	835	2.05	1.76	1.76	1680	DWG08	SM08	T6213Z	
54.4																
45	668	879	976	1250	1562	1712	1472	835	4.70	2.05	1.76	1900	DWG08	SM08	T6213Z	
54.4																
45	798	1046	1174	1507	1890	2075	1785	970	5.70	2.14	1.84	1690	DWG08	SM08	T6215Z	
54.4																
45	798	1046	1364	1751	2207	2075	1785	970	11.40	2.14	1.84	2325	DWG08	SM08	T6215Z	
54.4																
45	862	1130	1239	1603	2027	2233	1920	1054	5.60	2.12	1.82	2733	DWG08	SM08	T6217Z	
54.4																
45	862	1130	1474	1892	2385	2233	1920	1054	11.20	2.12	1.82	2953	DWG08	SM08	T6217Z	
54.4																
45	846	1074	1174	1460	1790	1942	1670	810	8.95	2.39	2.06	2160	DWG15	SM20	NT6215Z	
54.4																
45	1002	1280	1338	1660	2016	2180	1874	987	10.47	2.21	1.90	2438	DWG15	SM23	NT6217Z	
54.4																
45	1138	1254	1594	1942	2325	2466	2121	1074	11.50	2.29	1.97	2745	DWG17	SM22	NT6220Z	
54.4																
45	-	-	-	-	-	2466	2121	-	-	-	-	-	DWG17	SM21	NT6220Z*	

REFRIGERANT	APPLICATION	FREQUENCY
R-134a	HBP	60Hz

MODEL	Displacement		B.O.M.	Voltage / Frequency	Motor Type	LRA	Exp. Device	Lubricant			Weight		Max. Height A		Cooling Type
	cm ³	in ³						Charge cm ³	oz ²	Type	kg	lb	mm	in	
NJ6220Z	26.20	1.60	144HD	208-230V 60Hz / 200V 50Hz 1~	CSIR	42.0	C/V	750	26.0	POE 22	20.3	44.8	265.0	10.4	F
NJ6220Z	26.20	1.60	144HG	115V 60Hz / 100V 50Hz 1~	CSIR	72.0	C/V	750	26.0	POE 22	19.7	43.4	265.0	10.4	F
NJ6220ZX	26.20	1.60	148HM	380-420V 50Hz / 440-480V 60Hz 3~	3PHASE	10.0	C/V	750	26.0	POE 22	19.6	43.2	265.0	10.4	F
NJ6226Z	34.37	2.10	142HD	208-230V 60Hz / 200V 50Hz 1~	CSR	40.0	C/V	750	26.0	POE 22	20.1	44.3	253.0	10.0	F
NJ6226ZX	34.37	2.10	148IM	380-420V 50Hz / 440-480V 60Hz 3~	3PHASE	13.0	C/V	750	26.0	POE 22	20.2	44.5	265.0	10.4	F

Note: Please check Test Conditions on page 30.

REFRIGERANT	APPLICATION	FREQUENCY
R-22	LBP	60Hz

MODEL	Displacement		B.O.M.	Voltage / Frequency	Motor Type	LRA	Exp. Device	Lubricant			Weight		Max. Height A		Cooling Type
	cm ³	in ³						Charge cm ³	oz ²	Type	kg	lb	mm	in	
NE2134E	12.12	0.74	263AD	208-230V 60Hz / 200V 50Hz 1~	CSIR	20.0	C/V	350	12.0	AB 46	11.5	25.4	206.0	8.1	F
NE2134E	12.12	0.74	263AG	115V 60Hz / 100V 50Hz 1~	CSIR	33.0	C/V	350	12.0	AB 46	11.5	25.4	206.0	8.1	F
T2140E-	14.50	0.88	116AD	208-230V 60Hz / 200V 50Hz 1~	CSIR	29.5	C/V	550	20.0	AB 46	16.5	36.4	221.0	8.7	F
T2155E	17.40	1.06	116BD	208-230V 60Hz / 200V 50Hz 1~	CSR	20.0	C/V	550	20.0	AB 46	15.6	34.4	221.0	8.7	F
T2168E	20.40	1.24	116UD	208-230V 60Hz / 200V 50Hz 1~	CSR	32.5	C/V	550	20.0	AB 46	16.6	36.6	221.0	8.7	F
NJ2178E	23.50	1.43	143RD	208-230V 60Hz / 200V 50Hz 1~	CSR	35.0	C/V	750	26.0	AB 46	22.8	50.3	277.0	10.9	F

Note: Please check Test Conditions on page 30.

REFRIGERANT	APPLICATION	FREQUENCY
R-22	HBP	60Hz

MODEL	Displacement		B.O.M.	Voltage / Frequency	Motor Type	LRA	Exp. Device	Lubricant			Weight		Max. Height A		Cooling Type
	cm ³	in ³						Charge cm ³	oz ²	Type	kg	lb	mm	in	
NB6152E	5.02	0.31	294LG	115V 60Hz / 100V 50Hz 1~	CSIR	26.5	C/V	350	12.0	AB 46	10.5	23.1	187.0	7.4	F
NE6181E	7.28	0.44	262LD	208-230V 60Hz / 200V 50Hz 1~	CSIR	18.2	C/V	350	12.0	AB 46	10.0	22.0	200.0	7.9	F
NE6181E	7.28	0.44	262LG	115V 60Hz / 100V 50Hz 1~	CSIR	38.0	C/V	350	12.0	AB 46	10.0	22.0	200.0	7.9	F
NE6210E	8.78	0.54	261NG	115V 60Hz / 100V 50Hz 1~	CSIR	29.0	C/V	350	12.0	AB 46	10.4	22.9	187.0	7.4	F
NE6211E	10.00	0.61	263GG	115V 60Hz / 100V 50Hz 1~	CSIR	38.5	C/V	350	12.0	AB 46	11.0	24.2	206.0	8.1	F
NE6211E	10.00	0.61	262HD	208-230V 60Hz / 200V 50Hz 1~	CSIR	25.8	C/V	350	12.0	AB 46	10.4	22.9	200.0	7.9	F
T6217E-	14.50	0.88	116RG	115V 60Hz / 100V 50Hz 1~	CSIR	55.0	C/V	550	20.0	AB 46	16.1	35.5	221.0	8.7	F
T6217E	14.50	0.89	116TD	208-230V 60Hz / 200V 50Hz 1~	CSIR	30.0	C/V	550	20.0	AB 46	16.4	36.0	221.0	8.7	F
T6220E	17.40	1.06	116SD	208-230V 60Hz / 200V 50Hz 1~	CSR	30.0	C/V	550	20.0	AB 46	15.5	34.2	221.0	8.7	F
T6220E	17.40	1.06	116JG	115V 60Hz / 100V 50Hz 1~	CSR	72.0	C/V	550	20.0	AB 46	15.8	34.8	221.0	8.7	F
T6222E	20.40	1.25	116KD	208-230V 60Hz / 200V 50Hz 1~	CSR	34.0	C/V	550	20.0	AB 46	16.7	36.8	221.0	8.7	F
T6222E	20.40	1.25	106KG	115V 60Hz / 100V 50Hz	CSR	71.0	C/V	550	20.0	AB 46	16.7	36.8	221.0	8.7	F

Note: Please check Test Conditions on page 30.

FREQUENCY	APPLICATION	REFRIGERANT
60Hz	HBP	R-134a

Condensing Temperature °C	Cooling Capacity / Evaporating Temperature °C Subcooled conditionW												Drawings		MODEL	
	Rated Point +7.2°C						Cooling W	kcal/h	W. input W	Current A	EER		External View ref.	Wiring Diagram ref.		
	-15	-10	-5	0	+5	W/W					kcal/hW	+10				
54.4				1721	2201	2727	2973	2557	1220	7.40	2.44	2.10	3299	DWG14	SM14	NJ6220Z
45	1125	1478	1916	2442	3053								3751			
54.4				1721	2201	2727	2973	2557	1250	13.30	2.38	2.05	3299	DWG14	SM14	NJ6220Z
45	1125	1478	1916	2442	3053								3751			
54.4				1721	2201	2727	2973	2557	1021	1.60	2.91	2.50	3299	DWG14	SM18	NJ6220ZX
45	1125	1478	1916	2442	3053								3751			
54.4				2064	2604	3196	3473	2987	1525	7.30	2.28	1.96	3840	DWG14	SM17	NJ6226Z
45	1662	2096	2608	3199	3868								4616			
54.4				2064	2604	3196	3473	2987	1390	2.40	2.50	2.15	3840	DWG14	SM18	NJ6226ZX
45	1662	2096	2608	3199	3868								4616			

FREQUENCY	APPLICATION	REFRIGERANT
60Hz	LBP	R-22

Condensing Temperature °C	Cooling Capacity / Evaporating Temperature °C Subcooled conditionW											Drawings		MODEL		
	Rated Point -23.3°C						Cooling W	Current A	W/W	EER kcal/hW	-20	-15	-10		External View ref.	Wiring Diagram ref.
	-30	-25	W	kcal/h	W. input W											
54.4			513	441	469	3.10	1.09	0.94	620	800	1003	DWG04	SM04	NE2134E		
45	401	529							686	873	1089					
54.4			513	441	469	6.10	1.09	0.94	620	800	1003	DWG04	SM04	NE2134E		
45	401	529							686	873	1089					
54.4			580	499	578	3.40	1.00	0.86	706	931	1197	DWG09	SM08	T2140E		
45	407	564							766	1013	1306					
54.4			701	603	563	2.60	1.24	1.07	855	1129	1452	DWG11	SM13	T2155E		
45	499	691							934	1228	1572					
54.4			887	763	755	3.70	1.17	1.01	1060	1365	1723	DWG11	SM13	T2168E		
45	640	848							1127	1477	1897					
54.4			1067	918	832	4.00	1.28	1.10	1285	1667	2109	DWG14	SM16	NJ2178E		
45	773	1069							1420	1827	2288					

FREQUENCY	APPLICATION	REFRIGERANT
60Hz	HBP	R-22

Condensing Temperature °C	Cooling Capacity / Evaporating Temperature °C Subcooled conditionW												Drawings		MODEL
	Rated Point +7.2°C						Cooling W	kcal/h	W. input W	Current A	EER		External View ref.	Wiring Diagram ref.	
	-15	-10	-5	0	+5	W/W					kcal/hW	+10			
54.4			476	583	705	764	657	413	4.90	1.85	1.59	843	DWG04	SM04	NB6152E
45	356	442	545	665	801							954			
54.4			692	864	1061	1156	994	511	3.00	2.26	1.94	1283	DWG04	SM04	NE6181E
45	501	641	810	1006	1230							1482			
54.4			692	864	1061	1156	994	511	6.00	2.26	1.94	1283	DWG04	SM04	NE6181E
45	501	641	810	1006	1230							1482			
54.4			823	1021	1248	1356	1166	675	7.20	2.01	1.73	1503	DWG04	SM04	NE6210E
45	615	775	968	1191	1445							1731			
54.4			967	1193	1446	1568	1349	779	8.70	2.01	1.73	1731	DWG04	SM04	NE6211E
45	723	904	1120	1372	1658							1980			
54.4			953	1182	1436	1593	1370	736	4.50	2.16	1.86	1741	DWG04	SM04	NE6211E
45	664	841	1048	1288	1560							1865			
54.4			1255	1624	2022	2206	1897	1062	11.40	2.08	1.79	2448	DWG12	SM10	T6217E-
45	794	1145	1528	1941	2385							2861			
54.4			1226	1582	2003	2184	1878	1081	6.13	2.02	1.74	2443	DWG08	SM08	T6217E
45	872	1082	1381	1768	2244							2808			
54.4			1326	1835	2391	2651	2280	1173	5.60	2.26	1.94	2995	DWG12	SM12	T6220E
45	1036	1408	1805	2226	2671							3141			
54.4			1326	1835	2391	2651	2280	1173	11.20	2.26	1.94	2995	DWG12	SM12	T6220E
45	1036	1408	1805	2226	2671							3141			
54.4			1855	2280	2495	3052	2625	1426	6.80	2.14	1.84	3402	DWG12	SM12	T6222E
45	1313	1638	2026	2477	2990							3564			
54.4			1855	2280	2795	3008	2587	1470	13.70	2.05	1.76	3402	DWG12	SM12	T6222E
45	1313	1638	2026	2477	2990							3564			

REFRIGERANT	APPLICATION	FREQUENCY
R-22	M/HBP	60Hz

MODEL	Displacement		B.O.M.	Voltage / Frequency	Motor Type	LRA	Exp. Device	Lubricant			Weight		Max. Height A		Cooling Type
	cm ³	in ³						Charge	Type	kg	lb	mm	in		
														cm ³	
NE9213E	12.12	0.74	263ED	208-230V 60Hz / 200V 50Hz 1~	CSR	25.9	C/V	350	12.0	AB 46	11.7	25.8	206.0	8.1	F
NE9213E	12.12	0.74	263EG	115V 60Hz / 100V 50Hz 1~	CSR	36.0	C/V	350	12.0	AB 46	11.7	25.8	206.0	8.1	F
NJ9226E	21.70	1.32	144ID	208-230V 60Hz / 200V 50Hz 1~	CSR	37.0	C/V	750	26.0	AB 46	22.1	48.7	265.0	10.4	F
NJ9226P	21.70	1.32	148MM	380-420V 50Hz / 440-480V 60Hz 3~	3PHASE	10.0	C/V	750	26.0	AB 46	22.1	48.7	265.0	10.4	F
NJ9232E	26.20	1.60	143MD	208-230V 60Hz / 200V 50Hz 1~	CSR	47.0	C/V	750	26.0	AB 46	22.1	48.7	277.0	10.9	F
NJ9232P	26.20	1.60	147HM	380-420V 50Hz / 440-480V 60Hz 3~	3PHASE	13.0	C/V	750	26.0	AB 46	21.2	46.7	277.0	10.9	F
NJ9238P	32.70	2.00	147LM	380-420V 50Hz / 440-480V 60Hz 3~	3PHASE	22.0	C/V	750	26.0	AB 46	21.7	47.8	277.0	10.9	F

Note: Please check Test Conditions on page 30.

REFRIGERANT	APPLICATION	FREQUENCY
R-22	AC	60Hz

MODEL	Displacement		B.O.M.	Voltage / Frequency	Motor Type	LRA	Exp. Device	Lubricant			Weight		Max. Height A		Cooling Type
	cm ³	in ³						Charge	Type	kg	lb	mm	in		
														cm ³	
NE7213E	12.12	0.73	264CG	115V 60Hz / 100V 50Hz 1~	PSC	30.0	C	350	12.0	MO 32	11.6	25.6	206.0	8.1	F
NE7215E	13.54	0.82	264DG	115V 60Hz / 100V 50Hz 1~	PSC	41.8	C	350	12.0	MO 32	11.7	25.8	206.0	8.1	F
T7223G	20.40	1.24	118ED	208-230V 60Hz / 200V 50Hz 1~	PSC	35.0	C	550	20.0	MO 32	14.9	32.8	221.0	8.7	F
T7223G	20.40	1.24	118DG	115V 60Hz / 100V 50Hz 1~	PSC	50.0	C	550	20.0	MO 32	15.3	33.7	221.0	8.7	F
NJ7225F	21.70	1.32	142GD	208-230V 60Hz / 200V 50Hz 1~	PSC	35.0	C	750	26.0	MO 32	19.3	42.5	253.0	10.0	F
NJ7228P	23.50	1.45	146DM	380-420V 50Hz / 440-480V 60Hz 3~	3PHASE	18.0	C/V	750	26.0	MO 32	21.5	47.4	253.0	10.0	F
NJ7231F	26.20	1.60	144ED	208-230V 60Hz / 200V 50Hz 1~	PSC	46.0	C	750	26.0	MO 32	20.4	45.0	265.0	10.4	F
NJ7231P	26.20	1.60	148CM	380-420V 50Hz / 440-480V 60Hz 3~	3PHASE	18.0	C/V	750	26.0	MO 32	20.1	44.3	265.0	10.4	F
NJ7238E	32.70	2.00	143AJ	230V 60Hz / 200V 50Hz 1~	PSC	58.0	C	750	26.0	MO 32	22.1	48.7	277.0	10.9	F
NJ7238P	32.70	2.00	147AM	380-420V 50Hz / 440-480V 60Hz 3~	3PHASE	22.0	C/V	750	26.0	MO 32	20.9	46.1	277.0	10.9	F
NJ7240F	34.37	2.10	143FD	208-230V 60Hz / 200V 50Hz 1~	PSC	75.0	C	750	26.0	MO 32	22.0	48.5	277.0	10.9	F
NJ7240P	34.37	2.10	147CM	380-420V 50Hz / 440-480V 60Hz 3~	3PHASE	22.0	C/V	750	26.0	MO 32	21.4	47.2	277.0	10.9	F

Note: Please check Test Conditions on page 30.

REFRIGERANT	APPLICATION	FREQUENCY
R-404A / R-507	LBP	60Hz

MODEL	Displacement		B.O.M.	Voltage / Frequency	Motor Type	LRA	Exp. Device	Lubricant			Weight		Max. Height A		Cooling Type
	cm ³	in ³						Charge	Type	kg	lb	mm	in		
														cm ³	
NB2112GK	3.78	0.23	994BG	115V 60Hz / 100V 50Hz 1~	CSIR	26.5	C/V	350	12.0	POE 22	10.6	23.3	187.0	7.4	S
NB2117GK	4.52	0.28	994DG	115V 60Hz / 100V 50Hz 1~	CSIR	25.0	C/V	350	12.0	POE 22	10.5	23.1	187.0	7.4	F
NB2121GK	6.05	0.37	995BG	115V 60Hz / 100V 50Hz 1~	CSIR	34.6	C/V	350	12.0	POE 22	11.1	24.5	200.0	7.9	F
NE2125GK	8.78	0.54	951ID	208-230V 60Hz / 200V 50Hz 1~	CSIR	29.0	C/V	350	12.0	POE 22	10.4	22.9	187.0	7.4	F
NE2125GK	8.78	0.54	951IG	115V 60Hz / 100V 50Hz 1~	CSIR	29.0	C/V	350	12.0	POE 22	10.4	22.9	187.0	7.4	F
NE2134GK	12.12	0.74	953AD	208-230V 60Hz / 200V 50Hz 1~	CSIR	20.7	C/V	350	12.0	POE 22	11.7	25.8	206.0	8.1	F

Note: Please check Test Conditions on page 30.

FREQUENCY	APPLICATION	REFRIGERANT
60Hz	M/HBP	R-22

Condensing Temperature °C	Cooling Capacity / Evaporating Temperature °C Subcooled condition W													Drawings		MODEL
	Rated Point +7.2°C							EER						External View ref.	Wiring Diagram ref.	
	-20	-15	-10	-5	0	+5	W	kcal/h	W input W	Current A	W/W	kcal/hW	+10			
54.4			950	1196	1477	1791	1940	1668	861	4.20	2.25	1.94	2139	DWG04	SM06	NJ9213E
45	675	869	1103	1376	1688	2039							2430			
54.4			937	1177	1457	1777	1930	1660	880	7.80	2.19	1.88	2136	DWG04	SM06	NJ9213E
45	681	861	1087	1358	1675	2038							2446			
54.4			1770	2222	2730	3295	3598	3095	1480	7.30	2.43	2.09	3916	DWG14	SM17	NJ9226E
45	1130	1519	1968	2478	3050	3682							4375			
54.4			1679	2119	2640	3241	3531	3037	1328	2.10	2.66	2.29	3923	DWG14	SM18	NJ9226P
45	1133	1491	1927	2441	3032	3700							4446			
54.4			1702	1827	2621	3208	4250	3655	1735	8.56	2.45	2.11	3900	DWG14	SM17	NJ9232E
45	1150	1500	1897	2356	2892	3520							4250			
54.4			1993	2526	3153	3877	4225	3634	1605	2.90	2.63	2.26	4695	DWG14	SM18	NJ9232P
45	1355	1781	2310	2941	3676	4513							5453			
54.4			2638	3278	4010	4834	5225	4494	2171	8.30	2.41	2.07	5749	DWG14	SM18	NJ9238P
45	1805	2302	2914	3640	4482	5438							6508			

FREQUENCY	APPLICATION	REFRIGERANT
60Hz	AC	R-22

Condensing Temperature °C	Cooling Capacity / Evaporating Temperature °C Subcooled condition W											Drawings		MODEL
	Rated Point +7.2°C						EER					External View ref.	Wiring Diagram ref.	
	0	+5	W	kcal/h	W input W	Current A	W/W	kcal/hW	+10	+15				
54.4	1346	1683	1861	1600	810	7.00	2.30	1.98	2115	2644	DWG07	SM07	NE7213E	
45	1445	1807							2270	2839				
54.4	1560	1925	2100	1806	999	8.90	2.10	1.81	2334	2787	DWG07	SM07	NE7215E	
45	1675	2047							2464	2927				
54.4	2277	2854	3133	2694	1294	6.10	2.42	2.08	3511	4247	DWG12	SM11	T7223G	
45	2732	3264							3995	4923				
54.4	2359	2887	3133	2694	1298	11.30	2.41	2.07	3458	4070	DWG10	SM11	T7223G	
45	2732	3264							3995	4923				
54.4	2360	3027	3368	2896	1454	7.00	2.32	2.00	3842	4804	DWG14	SM15	NJ7225F	
45	2552	3262							4131	5159				
54.4	2720	3501	3891	3346	1449	2.70	2.69	2.31	4430	5507	DWG14	SM18	NJ7228P	
45	3217	4061							5055	6198				
54.4	3189	3878	4208	3619	1754	8.00	2.40	2.06	4649	5502	DWG14	SM15	NJ7231F	
45	3770	4563							5510	6612				
54.4	3189	3878	4208	3619	1561	3.20	2.70	2.32	4649	5502	DWG14	SM18	NJ7231P	
45	3770	4563							5510	6612				
54.4	3894	4736	5167	4444	2351	10.90	2.20	1.89	5769	6992	DWG14	SM15	NJ7238E	
45	4666	5730							6898	8168				
54.4	3894	4736	5167	4444	2157	3.50	2.40	2.06	5769	6992	DWG14	SM18	NJ7238P	
45	4666	5730							6898	8168				
54.4	4232	5199	5661	4868	2597	12.80	2.18	1.87	6282	7481	DWG14	SM15	NJ7240F	
45	4663	5755							6997	8391				
54.4	4232	5199	5661	4868	2362	3.90	2.40	2.06	6282	7481	DWG14	SM18	NJ7240P	
45	4663	5755							6997	8391				

FREQUENCY	APPLICATION	REFRIGERANT
60Hz	LBP	R-404A / R-507

Condensing Temperature °C	Cooling Capacity / Evaporating Temperature °C Subcooled condition W												Drawings		MODEL	
	Rated Point -23.3°C						EER						External View ref.	Wiring Diagram ref.		
	-40	-35	-30	-25	W	kcal/h	W input W	Current A	W/W	kcal/hW	-20	-15				-10
54.4			101	144	157	135	155	2.10	1.01	0.87	192	248	315	DWG04	SM04	NB2112GK
45	42	82	122	166							216	276	347			
54.4			126	184	206	177	209	3.30	0.98	0.84	250	325	409	DWG04	SM04	NB2117GK
45	67	106	155	213							281	358	444			
54.4			216	291	320	275	298	4.80	1.07	0.92	378	475	583	DWG04	SM04	NB2121GK
45	124	177	241	318							406	507	620			
54.4			181	315	364	313	344	5.30	1.06	0.91	465	631	813	DWG04	SM04	NE2125GK
45	56	150	263	395							546	715	904			
54.4			181	315	364	313	344	5.30	1.06	0.91	465	631	813	DWG04	SM04	NE2125GK
45	56	150	263	395							546	715	904			
54.4			303	478	543	467	436	2.80	1.25	1.08	676	895	1137	DWG04	SM04	NE2134GK
45	102	251	416	596							792	1003	1230			

REFRIGERANT APPLICATION FREQUENCY
R-404A / R-507 LBP 60Hz

MODEL	Displacement		B.O.M.	Voltage / Frequency	Motor Type	LRA	Exp. Device	Lubricant			Weight		Max. Height A		Cooling Type
	cm ³	in ³						Charge cm ³	oz ²	Type	kg	lb	mm	in	
NE2134GK	12.12	0.74	952AG	115V 60Hz / 100V 50Hz 1~	CSIR	33.0	C/V	350	12.0	POE 22	11.7	25.8	200.0	7.9	F
NEK2117GK	4.51	0.27	957BG	115V 60Hz / 100V 50Hz 1~	CSIR	28.5	C/V	350	12.0	POE 22	10.4	22.9	187.0	7.4	F
NEK2121GK	5.45	0.33	957DG	115V 60Hz / 100V 50Hz 1~	CSIR	26.5	C/V	350	12.0	POE 22	10.4	22.9	187.0	7.4	F
NEK2125GK	6.20	0.38	957EG	115V 60Hz / 100V 50Hz 1~	CSIR	26.5	C/V	350	12.0	POE 22	10.4	22.9	187.0	7.4	F
NEK2134GK	8.78	0.54	958AG	115V 60Hz / 100V 50Hz 1~	CSIR	37.5	C/V	350	12.0	POE 22	11.0	24.3	200.0	7.9	F
NEK2134GK	8.78	0.54	959DD	208-230V 60Hz / 200V 50Hz 1~	CSIR	20.0	C/V	350	12.0	POE 22	11.6	25.6	206.0	8.1	F
NEK2150GK	12.12	0.74	959AD	208-230V 60Hz / 200V 50Hz 1~	CSIR	20.0	C/V	350	12.0	POE 22	11.6	25.6	206.0	8.1	F
NEK2150GK	12.12	0.74	959AG	115V 60Hz / 100V 50Hz 1~	CSIR	41.5	C/V	350	12.0	POE 22	11.6	25.6	206.0	8.1	F
NEK2150GK	12.12	0.74	959AG	115V 60Hz / 100V 50Hz 1~	CSR	41.5	C/V	350	12.0	POE 22	11.6	25.6	206.0	8.1	F
T2155GK	14.50	0.88	936AD	208-230V 60Hz / 200V 50Hz 1~	CSR	20.0	C/V	550	20.0	POE 22	14.6	32.2	221.0	8.7	F
T2155GK-	14.50	0.88	936BD	208-230V 60Hz / 200V 50Hz 1~	CSIR	29.5	C/V	550	20.0	POE 22	16.6	36.6	221.0	8.7	F
T2155GK-	14.50	0.88	936BG	115V 60Hz / 100V 50Hz 1~	CSIR	48.8	C/V	550	20.0	POE 22	16.3	35.9	221.0	8.7	F
T2168GK	17.40	1.06	936CD	208-230V 60Hz / 200V 50Hz 1~	CSR	32.5	C/V	550	20.0	POE 22	16.6	36.6	221.0	8.7	F
T2168GK-	17.40	1.06	936DG	115V 60Hz / 100V 50Hz 1~	CSIR	55.0	C/V	550	20.0	POE 22	17.2	37.9	221.0	8.7	F
T2178GK	20.40	1.24	936ED	208-230V 60Hz / 200V 50Hz 1~	CSR	33.0	C/V	550	20.0	POE 22	17.2	37.9	221.0	8.7	F
T2178GK	20.40	1.24	936EG	115V 60Hz / 100V 50Hz 1~	CSR	65.0	C/V	550	20.0	POE 22	16.8	37.0	221.0	8.7	F
T2180GK	22.40	1.37	936HD	208-230V 60Hz / 200V 50Hz 1~	CSR	33.0	C/V	550	20.0	POE 22	17.0	37.5	221.0	8.7	F
T2180GK	22.40	1.37	936HG	115V 60Hz / 100V 50Hz 1~	CSR	68.0	C/V	550	20.0	POE 22	17.0	37.5	221.0	8.7	F
NT2168GK	14.50	0.88	922DG	115V 60Hz / 100V 50Hz 1~	CSIR	54.5	C/V	450	15.7	POE 22	16.7	36.8	220.0	8.7	F
NT2168GK*	14.50	0.88	922DG	115V 60Hz / 100V 50Hz 1~	CSR	54.5	C/V	450	15.7	POE 22	16.7	36.8	220.0	8.7	F
NT2178GK	17.40	1.06	922EG	115V 60Hz / 100V 50Hz 1~	CSIR	66.0	C/V	450	15.7	POE 22	17.2	37.8	220.0	8.7	F
NT2178GK*	17.40	1.06	922EG	115V 60Hz / 100V 50Hz 1~	CSR	66.0	C/V	450	15.7	POE 22	17.2	37.8	220.0	8.7	F
NT2180GK	20.40	1.24	922HG	115V 60Hz / 100V 50Hz 1~	CSIR	66.0	C/V	450	15.7	POE 22	18.0	39.6	220.0	8.7	F
NT2180GK*	20.40	1.24	922HG	115V 60Hz / 100V 50Hz 1~	CSR	66.0	C/V	450	15.7	POE 22	18.0	39.6	220.0	8.7	F
NT2192GK	22.40	1.37	923EG	115V 60Hz / 100V 50Hz 1~	CSIR	56.0	C/V	450	15.7	POE 22	18.0	39.6	234.0	9.2	F
NT2192GK*	22.40	1.37	923EG	115V 60Hz / 100V 50Hz 1~	CSR	56.0	C/V	450	15.7	POE 22	18.0	39.6	234.0	9.2	F
NJ2192GK	26.20	1.60	943AD	208-230V 60Hz / 200V 50Hz 1~	CSR	40.0	C/V	750	26.0	POE 22	21.7	47.8	277.0	10.9	F
NJ2192GK	26.20	1.60	943AG	115V 60Hz / 100V 50Hz 1~	CSR	98.0	C/V	750	26.0	POE 22	21.7	47.8	277.0	10.9	F
NJ2192GS	26.20	1.60	948AM	380-420V 50Hz / 440-480V 60Hz 3~	3PHASE	13.0	C/V	750	26.0	POE 22	22.8	50.3	265.0	10.4	F
NJ2212GK	34.37	2.10	943BD	208-230V 60Hz / 200V 50Hz 1~	CSR	46.0	C/V	750	26.0	POE 22	21.8	48.1	277.0	10.9	F
NJ2212GK	34.37	2.10	943BG	115V 60Hz / 100V 50Hz 1~	CSR	86.5	C/V	750	26.0	POE 22	21.8	48.1	277.0	10.9	F
NJ2212GS	34.37	2.10	947AM	380-420V 50Hz / 440-480V 60Hz 3~	3PHASE	13.0	C/V	750	26.0	POE 22	20.4	45.0	277.0	10.9	F

Note: Please check Test Conditions on page 30.

* Under development

Condensing Temperature	Cooling Capacity / Evaporating Temperature °C													Drawings		MODEL
	Subcooled condition W													External View	Wiring Diagram	
	Rated Point -23.3°C															
°C	-40	-35	-30	-25	Cooling		W. input	Current	EER		-20	-15	-10	ref.	ref.	
					W	kcal/h	W	A	W/W	kcal/hW						
54.4			303	487	553	476	459	5.90	1.21	1.04	689	910	1150	DWG04	SM04	NE2134GK
45	96	247	415	598							798	1013	1244			
54.4			202	263	287	247	242	3.90	1.19	1.02	337	423	520	DWG04	SM04	NEK2117GK
45	130	165	215	281							359	450	550			
54.4			255	326	355	305	286	4.04	1.24	1.07	414	515	629	DWG04	SM04	NEK2121GK
45	169	213	272	349							437	542	662			
54.4			312	395	427	367	323	4.28	1.32	1.14	494	608	737	DWG04	SM04	NEK2125GK
45	195	248	316	403							508	630	771			
54.4			402	526	571	491	433	5.50	1.32	1.13	667	828	1007	DWG04	SM04	NEK2134GK
45	251	326	423	540							688	857	1048			
54.4			380	500	544	468	420	2.80	1.29	1.11	640	798	975	DWG04	SM04	NEK2134GK
45	230	312	415	535							678	840	1025			
54.4			492	636	692	595	586	3.87	1.18	1.02	809	1009	1237	DWG04	SM04	NEK2150GK
45	336	420	536	683							862	1072	1314			
54.4			508	660	717	617	588	7.35	1.22	1.05	838	1042	1273	DWG04	SM04	NEK2150GK
45	326	425	552	707							891	1103	1344			
54.4			515	671	730	628	546	5.57	1.34	1.15	856	1069	1311	DWG04	SM06	NEK2150GK
45	328	427	557	716							904	1123	1371			
54.4			411	607	681	586	537	2.60	1.27	1.09	836	1100	1100	DWG12	SM13	T2155GK
45	257	350	491	683							923	1213	1213			
54.4			411	607	681	586	557	3.50	1.22	1.05	836	1100	1100	DWG08	SM08	T2155GK-
45	257	350	491	683							923	1213	1213			
54.4			411	607	681	586	621	7.80	1.10	0.95	836	1100	1100	DWG08	SM08	T2155GK-
45	257	350	491	683							923	1213	1213			
54.4			569	794	879	756	649	3.20	1.35	1.16	1060	1367	1367	DWG10	SM13	T2168GK
45	343	474	653	881							1156	1479	1479			
54.4			569	794	879	756	763	9.10	1.15	0.99	1060	1367	1367	DWG11	SM10	T2168GK-
45	343	474	653	881							1156	1479	1479			
54.4			716	970	1065	916	891	2.80	1.20	1.03	1264	1598	1598	DWG11	SM13	T2178GK
45	411	580	793	1050							1351	1696	1696			
54.4			716	970	1065	916	815	7.70	1.31	1.13	1264	1598	1598	DWG11	SM13	T2178GK
45	411	580	793	1050							1351	1696	1696			
54.4			776	1034	1132	974	986	4.70	1.15	0.99	1339	1692	1692	DWG11	SM13	T2180GK
45	456	632	858	1133							1458	1831	1831			
54.4			776	1034	1132	974	1020	9.70	1.11	0.95	1339	1692	1692	DWG11	SM13	T2180GK
45	456	632	858	1133							1458	1831	1831			
54.4			525	704	770	662	640	8.00	1.21	1.04	910	1150	1420	DWG17	SM22	NT2168GK
45	302	428	592	792							1034	1315	1638			
54.4			-	-	780	670	-	-	-	-	-	-	-	DWG17	SM21	NT2168GK*
45	-	-	-	-							-	-	-			
54.4			695	925	1002	862	830	10.20	1.21	1.04	1194	1496	1838	DWG17	SM22	NT2178GK
45	389	567	783	1035							1325	1650	2015			
54.4			-	-	1002	862	-	-	-	-	-	-	-	DWG17	SM21	NT2178GK*
45	-	-	-	-							-	-	-			
54.4			750	1020	1120	963	948	11.20	1.18	1.02	1326	1664	2032	DWG17	SM22	NT2180GK
45	416	626	865	1134							1432	1760	2118			
54.4			-	-	1140	980	-	-	-	-	-	-	-	DWG17	SM21	NT2180GK*
45	-	-	-	-							-	-	-			
54.4			880	1136	1230	1058	1034	11.80	1.19	1.02	1420	1726	2060	DWG17	SM22	NT2192GK
45	530	704	935	1224							1570	1970	2430			
54.4			-	-	1230	1058	-	-	-	-	-	-	-	DWG17	SM21	NT2192GK*
45	-	-	-	-							-	-	-			
54.4			880	1194	1316	1132	1011	4.90	1.30	1.12	1574	2019	2019	DWG14	SM16	NJ2192GK
45	430	685	989	1342							1745	2196	2196			
54.4			880	1194	1316	1132	1011	9.80	1.30	1.12	1574	2019	2019	DWG14	SM16	NJ2192GK
45	430	685	989	1342							1745	2196	2196			
54.4			880	1194	1316	1132	1068	1.90	1.23	1.06	1574	2019	2019	DWG14	SM18	NJ2192GS
45	430	685	989	1342							1745	2196	2196			
54.4			1105	1559	1728	1486	1154	5.40	1.50	1.29	2077	2659	2659	DWG14	SM16	NJ2212GK
45	573	880	1269	1738							2289	2921	2921			
54.4			1105	1559	1728	1486	1154	10.80	1.50	1.29	2077	2659	2659	DWG14	SM16	NJ2212GK
45	573	880	1269	1738							2289	2921	2921			
54.4			1105	1559	1728	1486	1332	2.00	1.30	1.12	2077	2659	2659	DWG14	SM18	NJ2212GS
45	573	880	1269	1738							2289	2921	2921			

REFRIGERANT APPLICATION FREQUENCY
R-404A / R-507 MBP 60Hz

MODEL	Displacement		B.O.M.	Voltage / Frequency	Motor Type	LRA	Exp. Device	Lubricant			Weight		Max. Height A		Cooling Type
	cm ³	in ³						Charge	Type	kg	lb	mm	in		
NB6144GK	4.52	0.28	994IG	115V 60Hz / 100V 50Hz 1~	CSIR	27.7	C/V	350	12.0	POE 22	10.3	22.7	187.0	7.4	F
NB6152GK	5.02	0.31	994LD	208-230V 60Hz / 200V 50Hz 1~	CSIR	16.5	C/V	350	12.0	POE 22	10.3	22.7	187.0	7.4	F
NB6152GK	5.02	0.31	994LG	115V 60Hz / 100V 50Hz 1~	CSIR	27.7	C/V	350	12.0	POE 22	10.3	22.7	187.0	7.4	F
NB6165GK	6.05	0.37	994NG	115V 60Hz / 100V 50Hz 1~	CSIR	29.8	C/V	350	12.0	POE 22	10.4	22.9	187.0	7.4	F
NB6165GK	6.05	0.37	994NU	220V 60Hz 1~	CSIR	16.5	C/V	350	12.0	POE 22	11.0	24.3	187.0	7.4	F
NE6181GK	7.28	0.44	952LG	115V 60Hz / 100V 50Hz 1~	CSIR	34.6	C/V	350	12.0	POE 22	11.0	24.3	200.0	7.9	F
NE6210GK	8.78	0.54	951ND	208-230V 60Hz / 200V 50Hz 1~	CSIR	16.8	C/V	350	12.0	POE 22	10.5	23.1	187.0	7.4	F
NE6210GK	8.78	0.54	951NG	115V 60Hz / 100V 50Hz 1~	CSIR	29.0	C/V	350	12.0	POE 22	10.5	23.1	187.0	7.4	F
NE9213GK	12.12	0.74	953ED	208-230V 60Hz / 200V 50Hz 1~	CSR	24.8	C/V	350	12.0	POE 22	11.6	25.6	206.0	8.1	F
NE9213GK	12.12	0.74	953EG	115V 60Hz / 100V 50Hz 1~	CSR	33.6	C/V	350	12.0	POE 22	11.6	25.6	206.0	8.1	F
NEK6144GK	4.52	0.28	957GD	208-230V 60Hz / 200V 50Hz 1~	CSIR	26.5	C/V	350	12.0	POE 22	10.4	22.9	187.0	7.4	F
NEK6165GK	6.20	0.38	957IG	115V 60Hz / 100V 50Hz 1~	CSIR	26.5	C/V	350	12.0	POE 22	10.4	22.9	187.0	7.4	F
NEK6181GK	7.28	0.44	957MD	208-230V 60Hz / 200V 50Hz 1~	CSIR	17.5	C/V	350	12.0	POE 22	10.4	22.9	187.0	7.4	F
NEK6181GK	7.28	0.44	957MG	115V 60Hz / 100V 50Hz 1~	CSIR	26.5	C/V	350	12.0	POE 22	10.4	22.9	187.0	7.4	F
NEK6181GK	7.28	0.44	957MG	115V 60Hz / 100V 50Hz 1~	CSR	26.5	C/V	350	12.0	POE 22	10.4	22.9	187.0	7.4	F
NEK6210GK	8.78	0.54	958CG	115V 60Hz / 100V 50Hz 1~	CSIR	38.0	C/V	350	12.0	POE 22	11.0	24.3	200.0	7.9	F
NEK6210GK	8.78	0.54	958CG	115V 60Hz / 100V 50Hz 1~	CSR	38.0	C/V	350	12.0	POE 22	11.0	24.3	200.0	7.9	F
NEK6213GK	12.12	0.74	959BG	115V 60Hz / 100V 50Hz 1~	CSIR	51.0	C/V	350	12.0	POE 22	11.6	25.6	206.0	8.1	F
NEK6213GK	12.12	0.74	959BG	115V 60Hz / 100V 50Hz 1~	CSR	51.0	C/V	350	12.0	POE 22	11.6	25.6	206.0	8.1	F
T6217GK	14.50	0.89	931AD	208-230V 60Hz / 200V 50Hz 1~	CSIR	30.0	C/V	550	20.0	POE 22	16.9	37.3	221.0	8.7	F
T6217GK	14.50	0.89	931AG	115V 60Hz / 100V 50Hz 1~	CSIR	57.0	C/V	550	20.0	POE 22	16.9	37.3	221.0	8.7	F
T6220GK	17.40	1.06	931BD	208-230V 60Hz / 200V 50Hz 1~	CSR	30.0	C/V	550	20.0	POE 22	15.8	34.8	221.0	8.7	F
T6220GK	17.40	1.06	931BG	115V 60Hz / 100V 50Hz 1~	CSIR	57.0	C/V	550	20.0	POE 22	15.8	34.8	221.0	8.7	F
T6222GK	20.40	1.24	936VD	208-230V 60Hz / 200V 50Hz 1~	CSR	34.0	C/V	550	20.0	POE 22	16.7	36.8	221.0	8.7	F
T6222GK	20.40	1.24	936VG	115V 60Hz / 100V 50Hz 1~	CSR	71.0	C/V	550	20.0	POE 22	16.7	36.8	221.0	8.7	F
NT6217GK	12.60	0.77	922AG	115V 60Hz / 100V 50Hz 1~	CSIR	50.0	C/V	450	15.7	POE 22	16.7	36.8	220.0	8.7	F
NT6217GK*	12.60	0.77	922AG	115V 60Hz / 100V 50Hz 1~	CSR	50.0	C/V	450	15.7	POE 22	16.7	36.8	220.0	8.7	F
NT6220GK	14.50	0.89	922BD	208-230V 60Hz / 200V 50Hz 1~	CSIR	26.5	C/V	450	15.7	POE 22	16.9	36.8	220.0	8.7	F
NT6220GK*	14.50	0.89	922BD	208-230V 60Hz / 200V 50Hz 1~	CSR	26.5	C/V	450	15.7	POE 22	16.9	36.8	220.0	8.7	F
NT6220GK	14.50	0.89	922BG	115V 60Hz / 100V 50Hz 1~	CSIR	54.5	C/V	450	15.7	POE 22	16.7	36.8	220.0	8.7	F
NT6220GK*	14.50	0.89	922BG	115V 60Hz / 100V 50Hz 1~	CSR	54.5	C/V	450	15.7	POE 22	16.7	36.8	220.0	8.7	F
NT6222GK	17.40	1.06	922CG	115V 60Hz / 100V 50Hz 1~	CSIR	70.0	C/V	450	15.7	POE 22	17.2	37.8	220.0	8.7	F
NT6222GK*	17.40	1.06	922CG	115V 60Hz / 100V 50Hz 1~	CSR	70.0	C/V	450	15.7	POE 22	17.2	37.8	220.0	8.7	F
NT6226GK	22.40	1.37	923BD	208-230V 60Hz / 200V 50Hz 1~	CSIR	43.0	C/V	450	15.7	POE 22	18.0	39.6	234.0	9.2	F
NT6226GK*	22.40	1.37	923BD	208-230V 60Hz / 200V 50Hz 1~	CSR	43.0	C/V	450	15.7	POE 22	18.0	39.6	234.0	9.2	F
NT6226GK	22.40	1.37	923BG	115V 60Hz / 100V 50Hz 1~	CSR	77.0	C/V	450	15.7	POE 22	18.0	39.6	234.0	9.2	F
NJ9226GK	21.70	1.32	944LD	208-230V 60Hz / 200V 50Hz 1~	CSR	34.0	C/V	750	26.0	POE 22	22.1	48.7	265.0	10.4	F
NJ9226GS	21.70	1.32	948LM	380-420V 50Hz / 440-480V 60Hz 3~	3PHASE	10.0	C/V	750	26.0	POE 22	19.7	43.4	265.0	10.4	F
NJ9232GK	26.20	1.60	943ND	208-230V 60Hz / 200V 50Hz 1~	CSR	40.0	C/V	750	26.0	POE 22	21.8	48.1	277.0	10.9	F
NJ9232GS	26.20	1.60	947NM	380-420V 50Hz / 440-480V 60Hz 3~	3PHASE	13.0	C/V	750	26.0	POE 22	22.1	48.7	277.0	10.9	F
NJ9238GK	32.70	2.00	943RJ	230V 60Hz / 200V 50Hz 1~	CSR	59.0	C/V	750	26.0	POE 22	22.1	48.7	277.0	10.9	F
NJ9238GS	32.70	2.00	947RM	380-420V 50Hz / 440-480V 60Hz 3~	3PHASE	22.0	C/V	750	26.0	POE 22	21.7	47.8	277.0	10.9	F

Note: Please check Test Conditions on page 30.

* Under development

	Condensing Temperature °C	Cooling Capacity / Evaporating Temperature °C Subcooled condition W														Drawings		MODEL		
									Rated Point +7.2°C							External View ref.	Wiring Diagram ref.			
		-20	-15	-10	-5	0	+5	Cooling W kcal/h		W. input W	Current A	EER W/W kcal/hW		+10						
54.4																				
45		260	330	344	431	530	642	695	598	379	4.70	1.83	1.57	767	DWG04	SM04	NB6144GK			
54.4																				
45		330	398	400	494	603	722	785	675	478	2.80	1.64	1.41	860	DWG04	SM04	NB6152GK			
54.4																				
45		322	404	420	518	630	755	815	701	467	5.30	1.74	1.50	894	DWG04	SM04	NB6152GK			
54.4																				
45		378	471	502	616	746	893	960	826	605	7.10	1.59	1.37	1054	DWG04	SM04	NB6165GK			
54.4																				
45		408	490	496	611	743	890	920	790	616	3.40	1.49	1.28	1015	DWG04	SM04	NB6165GK			
54.4																				
45		429	567	588	754	941	1148	1246	1072	584	6.60	2.13	1.83	1377	DWG04	SM04	NE6181GK			
54.4																				
45		551	702	731	898	1104	1333	1441	1239	748	4.30	1.93	1.66	1584	DWG04	SM04	NE6210GK			
54.4																				
45		539	697	713	904	1119	1358	1470	1264	736	8.00	2.00	1.72	1620	DWG04	SM04	NE6210GK			
54.4																				
45		764	978	886	1104	1352	1630	2021	1738	1026	9.10	1.97	1.69	1939	DWG04	SM06	NE9213GK			
54.4																				
45		764	978	1007	1256	1543	1867	2021	1738	1026	9.10	1.97	1.69	2228	DWG04	SM06	NE9213GK			
54.4																				
45		328	408	430	525	628	744	800	688	389	2.25	2.07	1.77	872	DWG04	SM04	NEK6144GK			
54.4																				
45		481	586	505	620	754	905	1150	990	584	6.14	1.97	1.69	1260	DWG04	SM04	NEK6165GK			
54.4																				
45		516	643	614	743	894	1066	1290	1110	624	3.60	2.07	1.78	1430	DWG04	SM04	NEK6181GK			
54.4																				
45		441	588	674	812	985	1190	1247	1072	619	6.70	2.01	1.73	1383	DWG04	SM04	NEK6181GK			
54.4																				
45		528	658	762	956	1173	1410	1320	1136	568	5.28	2.32	2.00	1450	DWG04	SM06	NEK6181GK			
54.4																				
45		647	793	684	840	1022	1225	1569	1349	756	8.18	2.07	1.78	1728	DWG04	SM04	NEK6210GK			
54.4																				
45		645	790	972	1185	1431	1713	1612	1386	700	6.70	2.30	1.98	2023	DWG04	SM06	NEK6210GK			
54.4																				
45		816	1005	820	1010	1234	1488	1951	1678	1151	12.82	1.69	1.46	2072	DWG04	SM04	NEK6213GK			
54.4																				
45		829	1028	1064	1289	1541	1870	2067	1777	1055	10.55	1.96	1.68	2124	DWG04	SM06	NEK6213GK			
54.4																				
45		795	1079	1231	1459	1797	2136	2321	1996	1268	6.90	1.83	1.57	2555	DWG08	SM08	T6217GK			
54.4																				
45		795	1079	1122	1428	1769	2144	2321	1996	1250	13.00	1.86	1.60	3035	DWG12	SM10	T6217GK			
54.4																				
45		1017	1307	1398	1754	2145	2572	2808	2415	1324	6.50	2.12	1.82	3551	DWG12	SM12	T6220GK			
54.4																				
45		1017	1307	1358	1721	2132	2591	2808	2415	1557	15.20	1.80	1.55	3097	DWG12	SM10	T6220GK			
54.4																				
45		1225	1621	1650	2046	2495	2997	3296	2835	1668	8.10	1.98	1.70	3551	DWG12	SM12	T6222GK			
54.4																				
45		1225	1621	1682	2093	2551	3058	3296	2835	1668	15.90	1.98	1.70	3612	DWG12	SM12	T6222GK			
54.4																				
45		940	1105	2065	2559	3102	3693	2164	1860	984	10.46	2.20	1.89	4334	DWG16	SM20	NT6217GK			
54.4																				
45		-	-	1094	1356	1658	2000	2164	1860	-	-	-	-	2380	DWG16	SM20	NT6217GK*			
54.4																				
45		972	1240	1266	1554	1882	2248	2424	2084	1212	6.84	2.00	1.72	2850	DWG16	SM20	NT6217GK*			
54.4																				
45		-	-	1567	1888	2274	2720	2424	2084	-	-	-	-	3208	DWG16	SM23	NT6220GK*			
54.4																				
45		952	1224	1270	1578	1920	2300	2480	2132	1160	12.20	2.14	1.84	-	DWG16	SM23	NT6220GK*			
54.4																				
45		-	-	1270	1578	1920	2300	2480	2132	-	-	-	-	2720	DWG17	SM22	NT6220GK			
54.4																				
45		1265	1548	1542	1908	2320	2780	3040	2615	1428	15.00	2.13	1.83	3288	DWG17	SM21	NT6220GK*			
54.4																				
45		-	-	1585	1950	2360	2820	3040	2615	-	-	-	-	2480	DWG17	SM22	NT6222GK			
54.4																				
45		1582	1928	1896	2312	2794	3344	3040	2615	-	-	-	-	2132	DWG17	SM22	NT6222GK*			
54.4																				
45		-	-	1986	2410	2892	3432	3689	3173	2089	11.83	1.77	1.52	3960	DWG17	SM21	NT6222GK*			
54.4																				
45		-	-	2348	2840	3405	4044	3689	3173	-	-	-	-	2132	DWG17	SM22	NT6226GK			
54.4																				
45		1604	1992	2076	2532	3043	3613	3884	3340	1830	17.10	2.12	1.82	4755	DWG17	SM21	NT6226GK*			
54.4																				
45		1363	1764	2045	2532	3043	3613	3801	3269	1675	8.40	2.27	1.95	4930	DWG17	SM21	NT6226GK			
54.4																				
45		1363	1764	1853	2338	2890	3508	3801	3269	1521	2.40	2.50	2.15	4194	DWG14	SM17	NJ9226GK			
54.4																				
45		1662	2154	2249	2819	3472	4210	4704	4045	1960	9.70	2.40	2.06	5032	DWG14	SM18	NJ9226GS			
54.4																				
45		1662	2154	2270	2873	3562	4336	4704	4045	1887	3.00	2.49	2.14	5196	DWG14	SM17	NJ9232GK			
54.4																				
45		2016	2640	2754	3462	4277	5200	5184	4458	2545	11.80	2.04	1.75	6230	DWG14	SM18	NJ9232GS			
54.4																				
45		2158	2778	2692	3335	4044	4820	5647	4856	2223	4.10	2.54	2.18	5196	DWG14	SM17	NJ9238GK			
54.4																				
45		2158	2778	2825	3527	4326	5222	5647	4856	2223	4.10	2.54	2.18	6230	DWG14	SM18	NJ9238GS			

REFRIGERANT	APPLICATION	FREQUENCY
R-407C	AC	60Hz

MODEL	Displacement		B.O.M.	Voltage / Frequency	Motor Type	LRA	Exp. Device	Lubricant			Weight		Max. Height A		Cooling Type
	cm ³	in ³						Charge cm ³	oz ³	Type	kg	lb	mm	in	
NJ7231GP	26.20	1.60	948CM	380-420V 50Hz / 440-480V 60Hz 3~	3PHASE	18.0	C/V	750	26.0	POE 22	20.1	44.3	265.0	10.4	F
NJ7240GP	34.37	2.10	947CM	380-420V 50Hz / 440-480V 60Hz 3~	3PHASE	22.0	C/V	750	26.0	POE 22	21.4	47.2	277.0	10.9	F

Note: Please check Test Conditions on page 30.

REFRIGERANT	APPLICATION	FREQUENCY
R-600a	LBP	60Hz

MODEL	Displacement		B.O.M.	Voltage / Frequency	Motor Type	LRA	Exp. Device	Lubricant			Weight		Max. Height A		Cooling Type
	cm ³	in ³						Charge cm ³	oz ³	Type	kg	lb	mm	in	
NBM1112Y	8.40	0.51	817AD	208-230V 60Hz / 200V 50Hz 1~	RSIR RSCR	8.4	C	350	12.0	MO 15	10.1	22.3	187.0	7.4	S
NBM1116Y	12.30	0.75	818AU	220V 60Hz 1~	RSIR RSCR	7.1	C	350	12.0	MO 15	10.7	23.6	200.0	7.9	S

Note: Please check Test Conditions on page 30.

FREQUENCY

APPLICATION

REFRIGERANT

60Hz

AC

R-407C

	Condensing Temperature °C	Cooling Capacity / Evaporating Temperature °C Subcooled condition										Drawings		MODEL
		0	+5	Rated Point +7.2°C						+10	+15	External View ref.	Wiring Diagram ref.	
				W	kcal/h	W input W	Current A	W/W	EER kcal/hW					
	54.4	3049	3778	4126	3548	1733	3.40	2.38	2.05	4583	5464	DWG14	SM18	NJ7231GP
	45	3595	4415							5329	6337			
	54.4	4000	4956	5413	4655	2274	4.20	2.38	2.05	6012	7167	DWG14	SM18	NJ7240GP
	45	4716	5793							6992	8313			

FREQUENCY

APPLICATION

REFRIGERANT

60Hz

LBP

R-600a

	Condensing Temperature °C	Cooling Capacity / Evaporating Temperature °C Subcooled condition												Drawings		MODEL
		-30	-25	Rated Point -23.3°C						-20	-15	-10	-5	External View ref.	Wiring Diagram ref.	
				W	kcal/h	W input W	Current A	W/W	EER kcal/hW							
	54.4		137	150	129	124	1.00	1.22	1.05	179	228	283	345	DWG02	SM00	NBM1112Y
	45	113	147							189	239	299	367			
	54.4		206	224	193	168	1.00	1.34	1.15	263	334	418	515	DWG02	SM00	NBM1116Y
	45	175	220							281	357	448	555			

GENERAL INFORMATION

Motor Type

Type	Description
RSIR	Resistive Start Inductive Run
RSCR	Resistive Start Capacitive Run
CSIR	Capacitive Start Inductive Run
CSR	Capacitive Start and Run
PSC	Permanent Split Capacitor
THREE PHASE	Star Connection

Cooling Types

Type	Description
S	(Static cooling) - the compressor doesn't need forced cooling, but it must be installed in order to guarantee natural air circulation by convection, to avoid overheating.
F	(Fan cooling) - the compressor needs forced cooling by the use of a motor fan.
OC	(Oil Cooling) - coil positioned in the lower internal part of the housing, immersed in the lubricant. where the gas coming from the first part of the heat exchanger circuit cools the lubricant.

Conversion

1 watt	3.41 Btu/h
1 watt	0.86 kcal/h
1 kcal/h	3.97 Btu/h

Expansion Devices

Type	Description
C	Capillary
V	Expansion valve

Lubricant Used

Code	Type
AB	alkylbenzene
MO	mineral
POE	polyolester

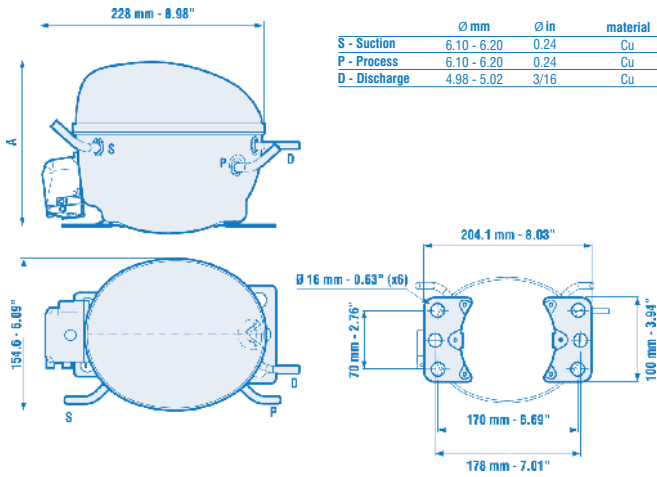
Test Conditions

Temperature	Subcooled Liquid Conditions					
	LBP		MBP-HBP		AC	
	°C	°F	°C	°F	°C	°F
Evaporating	-23.3	-10.0	7.2	45.0	7.2	45.0
Condensing	54.4	130.0	54.4	130.0	54.4	130.0
Gas & Ambient	32.2	90.0	35.0	95.0	35.0	95.0
Liquid	32.2	90.0	-	-	-	-
Liquid Subcooling	-	-	8.3	15.0	8.3	15.0

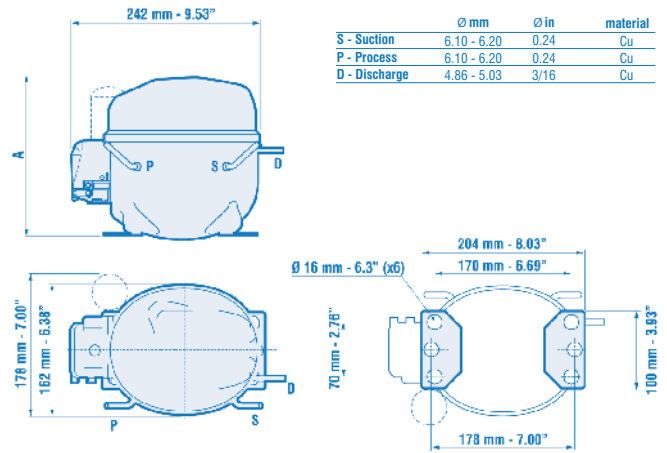
Note: After replacement, the compressor and its accessories must have proper processing, and the components must be recycled according to the material group (ferrous, non-ferrous, polymers, oils, ...) directives. These recommendations are intended to minimize the adverse impacts that may be caused to the environment.

EXTERNAL VIEWS

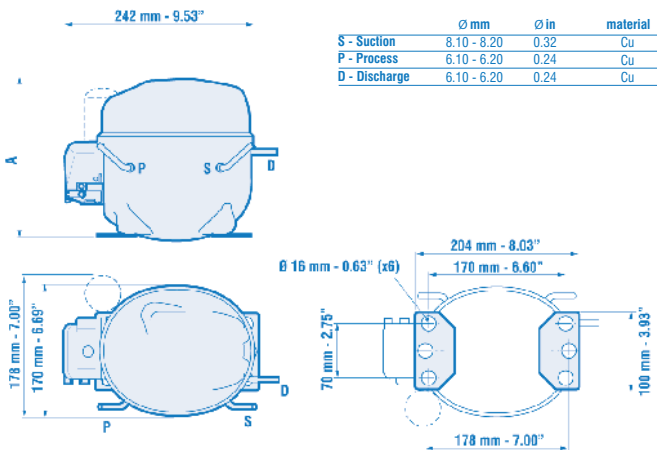
DWG 01 **EM SERIES** European Base Plate



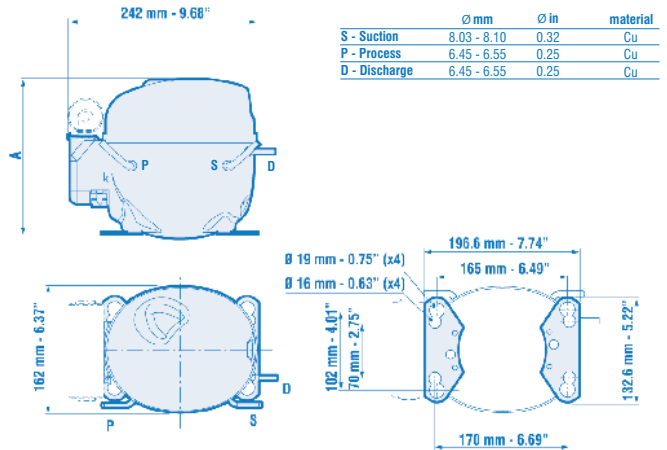
DWG 02 **NB/NE SERIES** European Base Plate



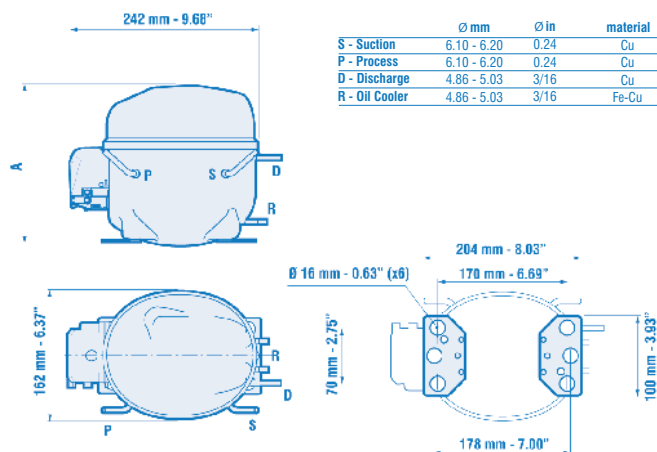
DWG 03 **NB/NE SERIES** European Base Plate



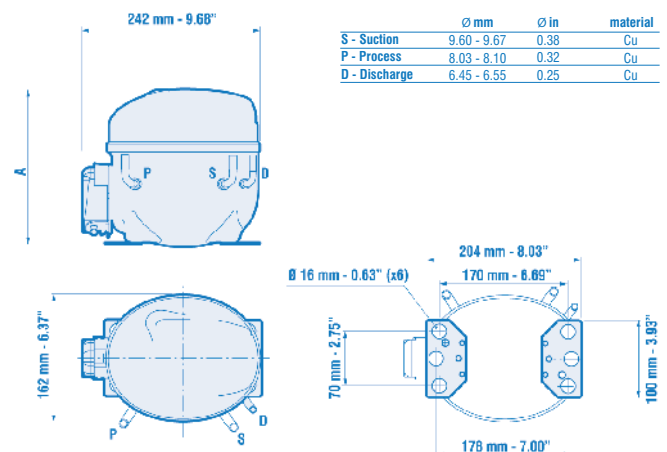
DWG 04 **NB/NE SERIES** Universal Base Plate



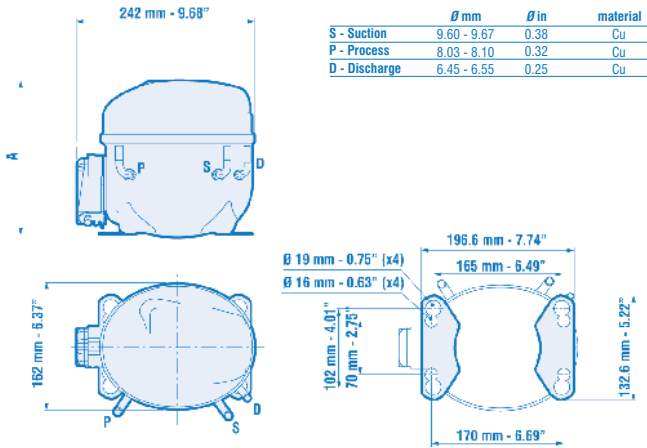
DWG 05 **NB/NE SERIES** Oil Cooler



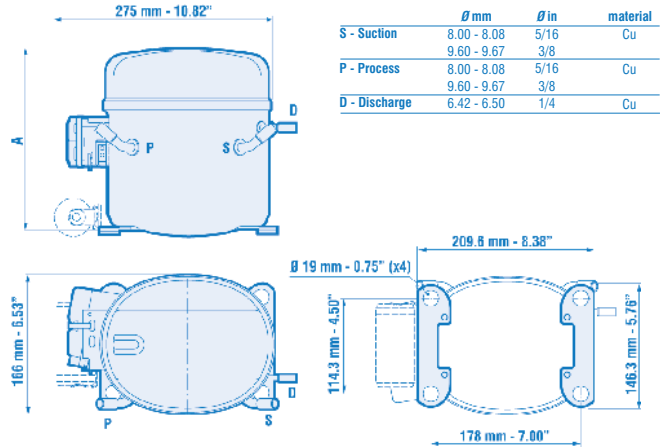
DWG 06 **NE SERIES** Air Conditioning European Base Plate



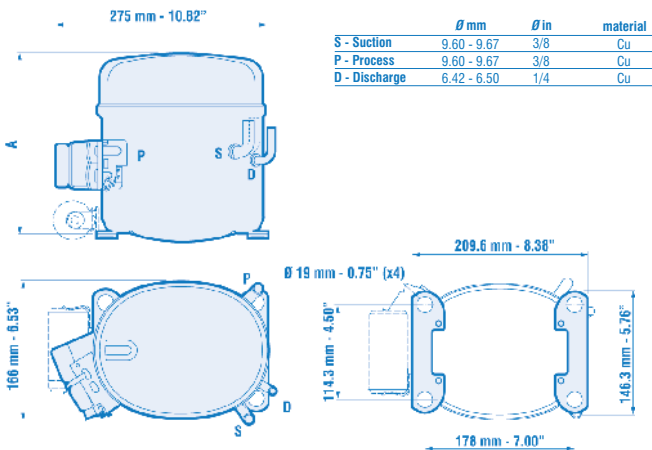
DWG 07 NE SERIES Air Conditioning Universal Base Plate



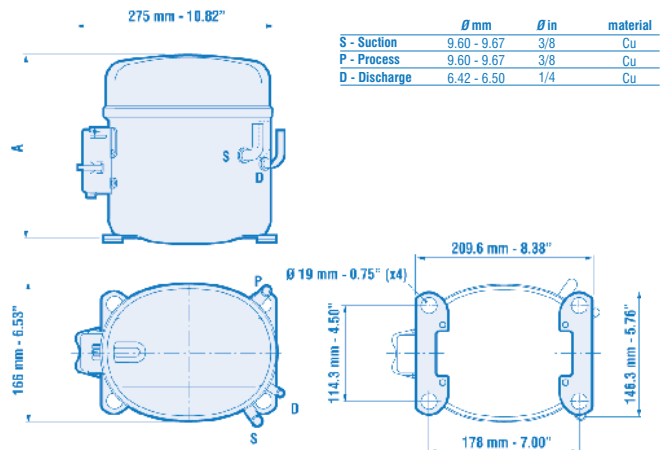
DWG 08 T SERIES Terminal Board



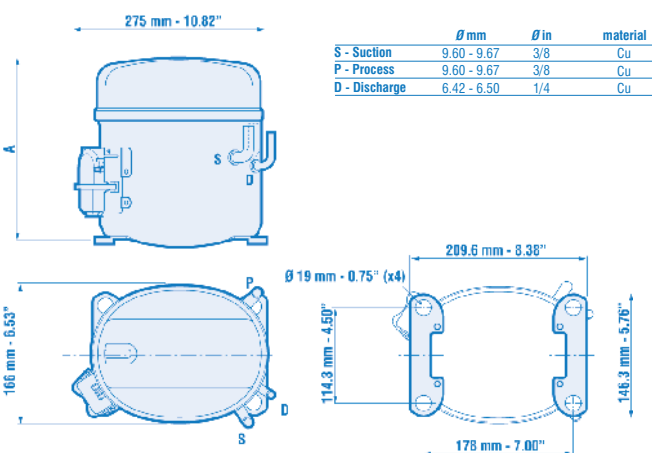
DWG 09 T SERIES Air Conditioning Terminal Board



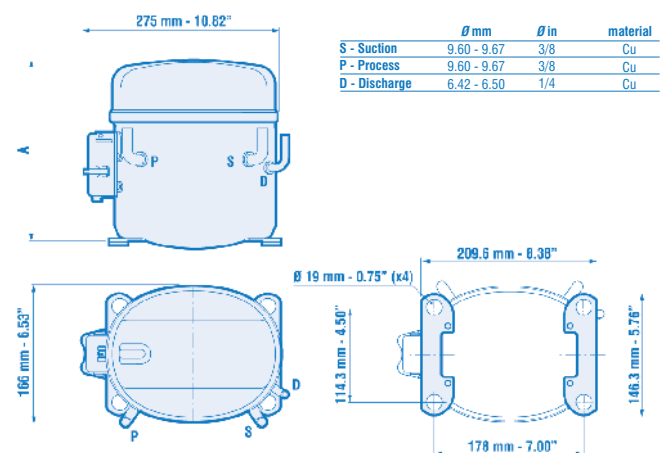
DWG 10 T SERIES Air Conditioning Standard Cover



DWG 11 T SERIES Air Conditioning Standard Cover

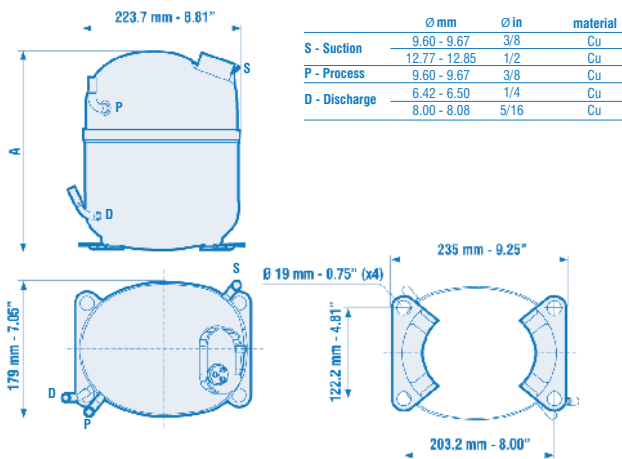


DWG 12 T SERIES Air Conditioning Standard Cover

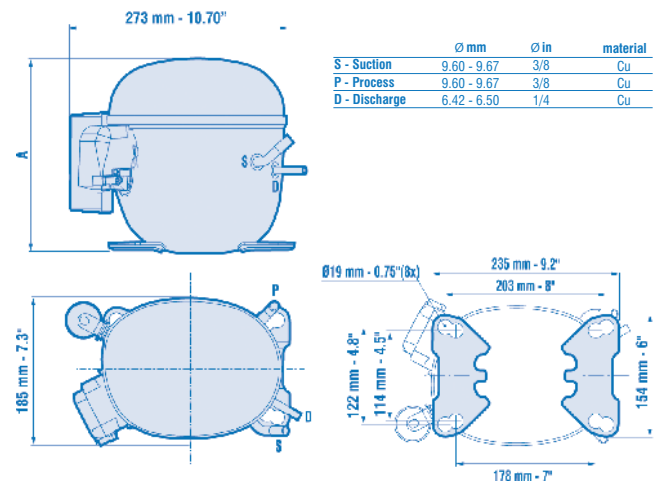


EXTERNAL VIEWS

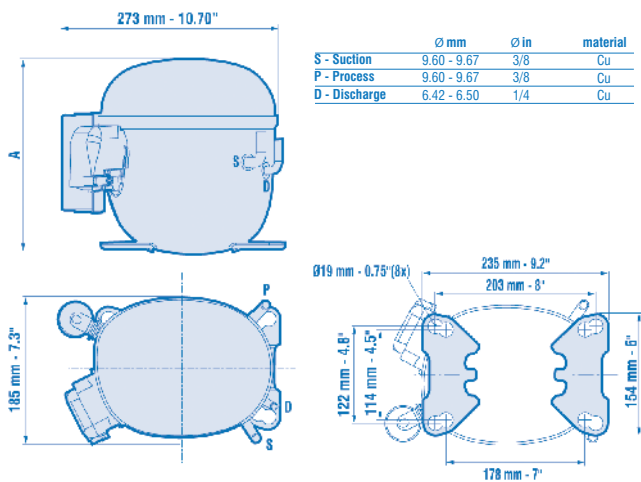
DWG 14 NJ SERIES



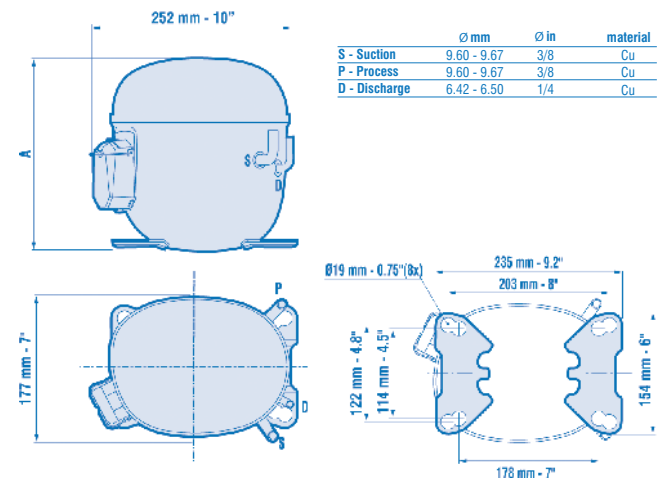
DWG 15 NT SERIES



DWG 16 NT SERIES

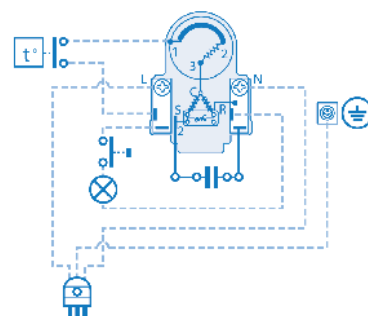
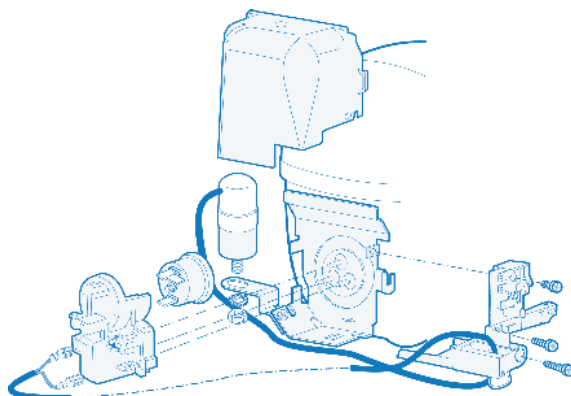


DWG 17 NT SERIES

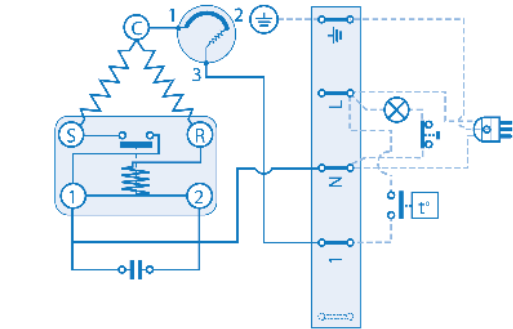
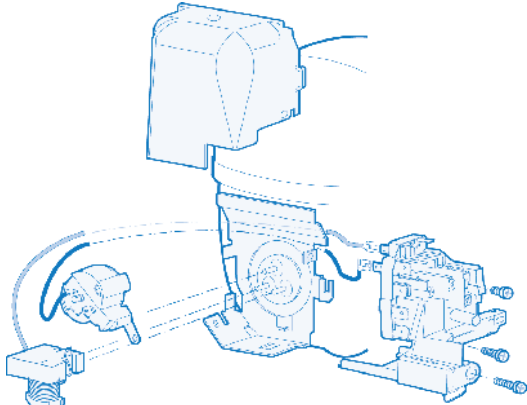


WIRING DIAGRAMS

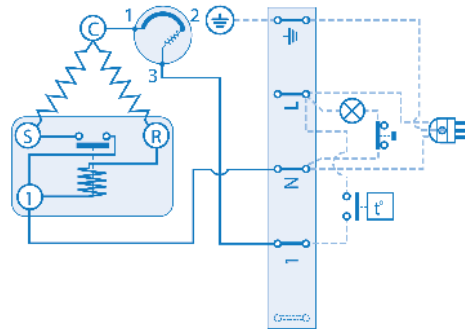
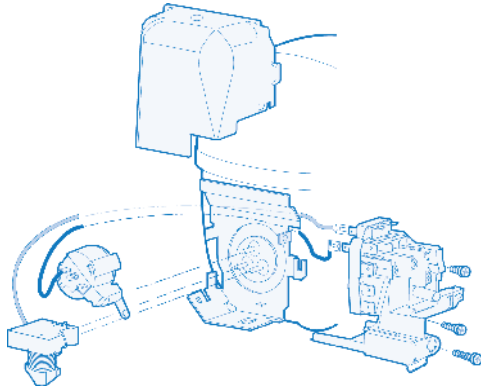
SM 00 EM - BP - NB/NE SERIES RSIR - RSCR PTC Integrated Start Device - European Version



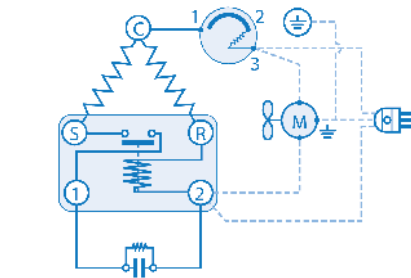
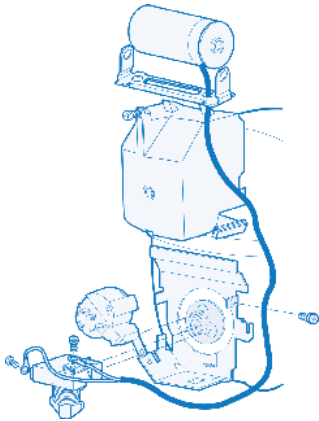
SM 01 EM - BP - NB/NE SERIES RSIR - RSCR PTC Terminal Board & Start Relay



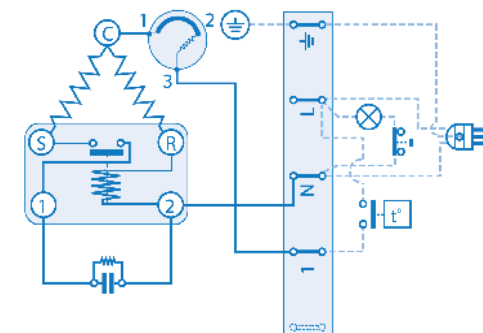
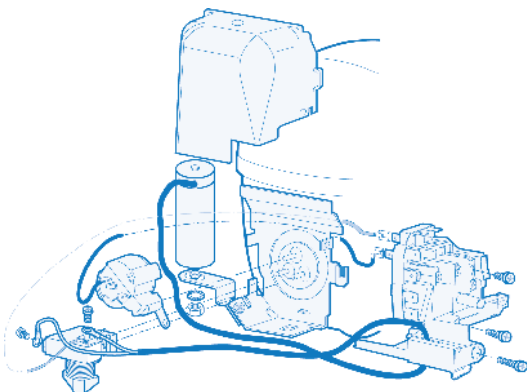
SM 03 NB/NE SERIES RSIR Terminal Board & Start Device



SM 04 NB/NE SERIES CSIR Cord Anchorage & Start Device - American Version

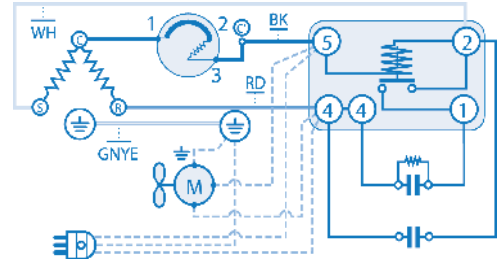
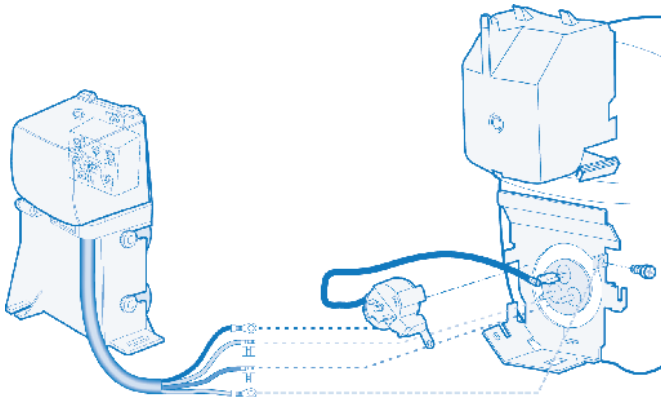


SM 05 NB/NE SERIES CSIR Terminal Board & Start Device

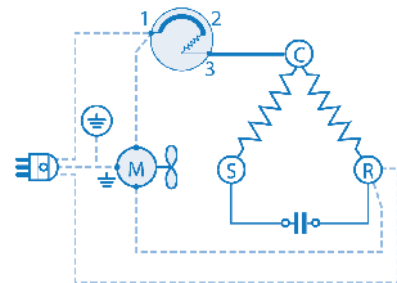
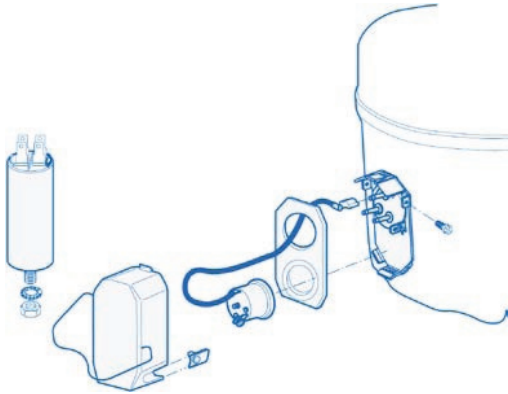


WIRING DIAGRAMS

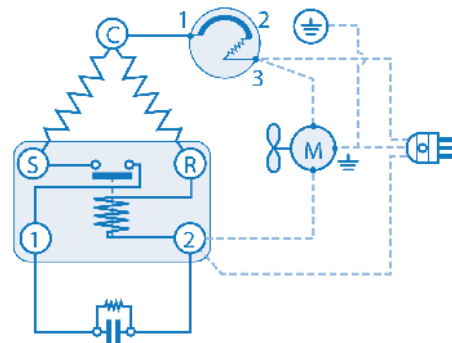
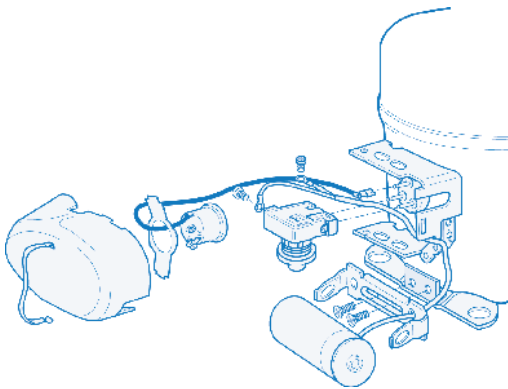
SM 06 NB/NE SERIES CSR Box



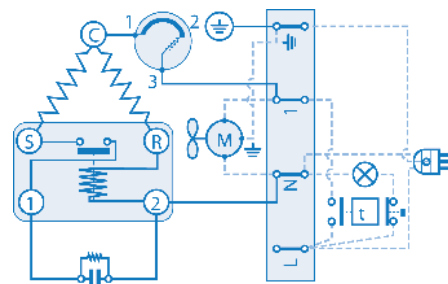
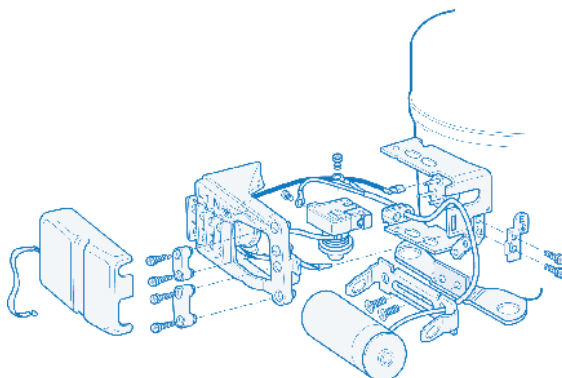
SM 07 NE SERIES PSC



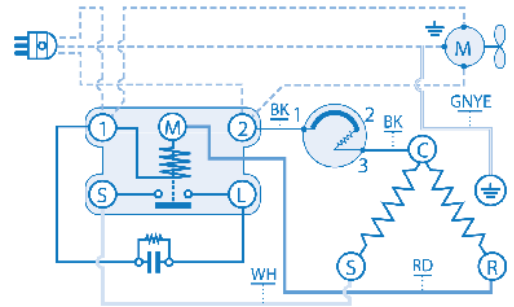
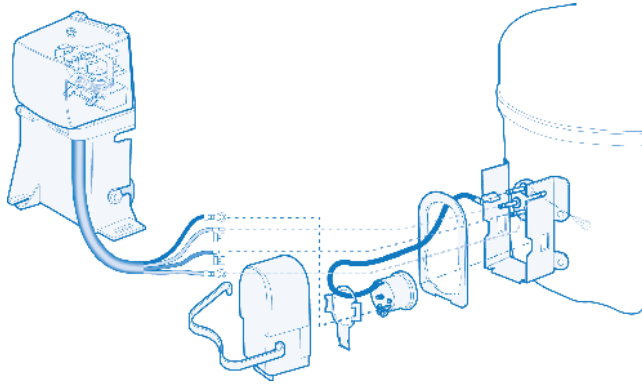
SM 08 T SERIES CSIR Standard Cover



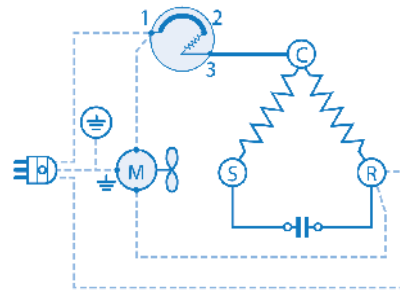
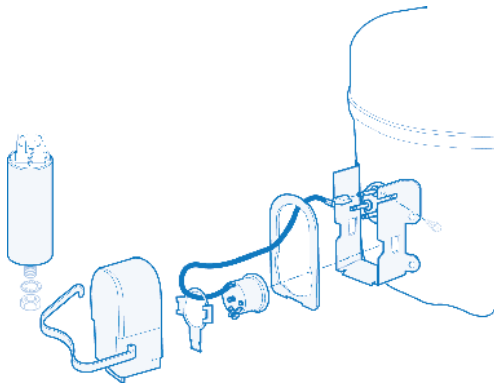
SM 09 T SERIES CSIR Terminal Board



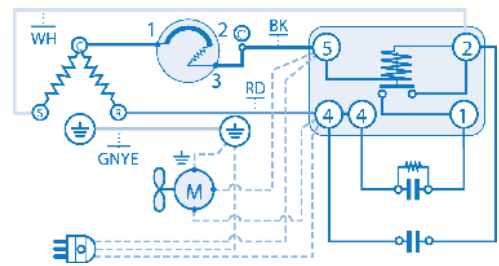
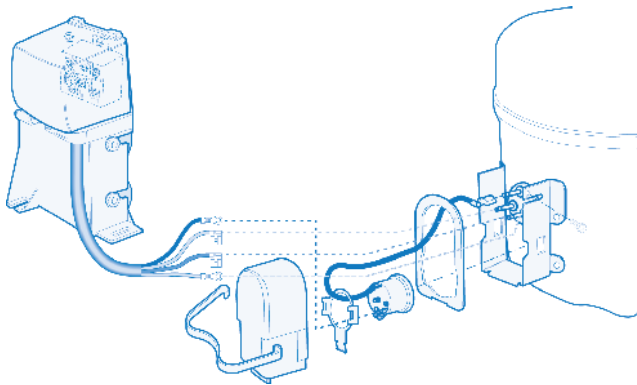
SM 10 T SERIES CSIR Box



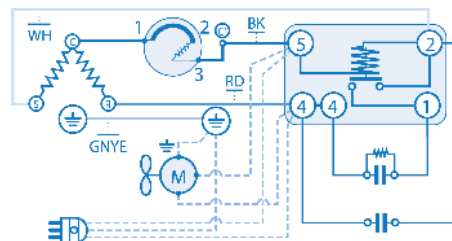
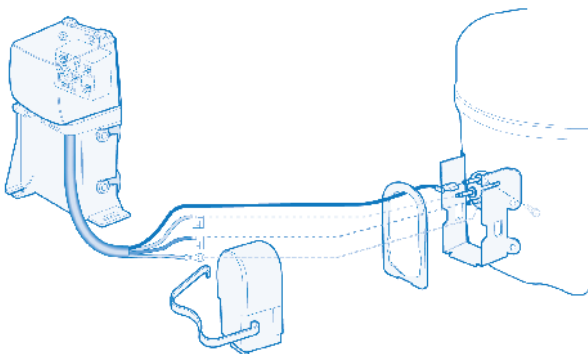
SM 11 T SERIES PSC



SM 12 T SERIES CSR Box

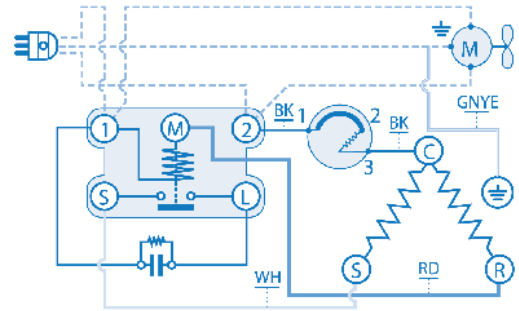
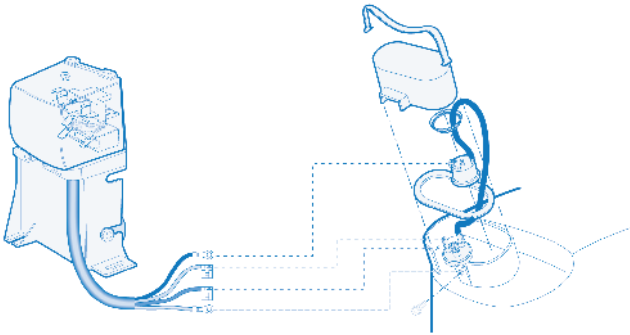


SM 13 T SERIES CSR Box (Internal Overload Protector)

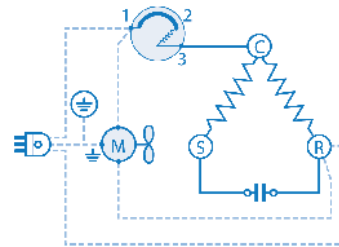
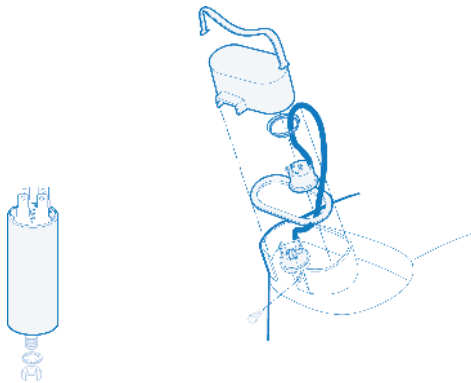


WIRING DIAGRAMS

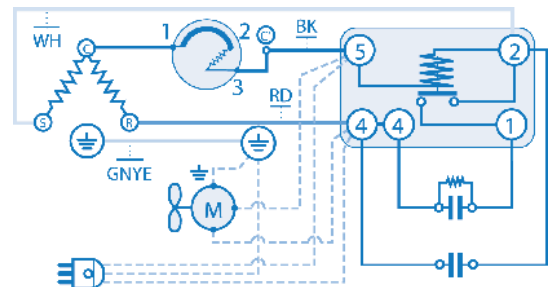
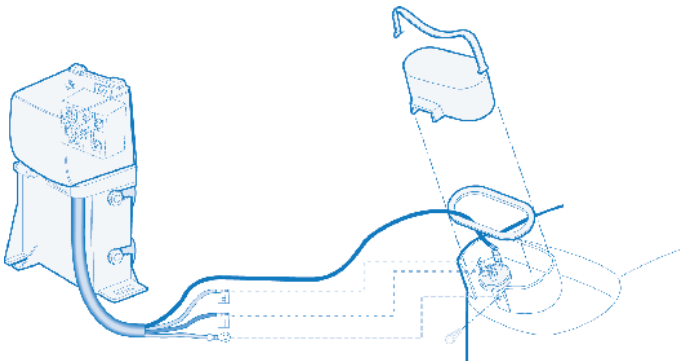
SM 14 NJ SERIES CSIR Box



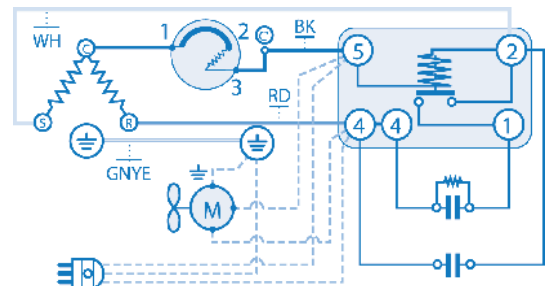
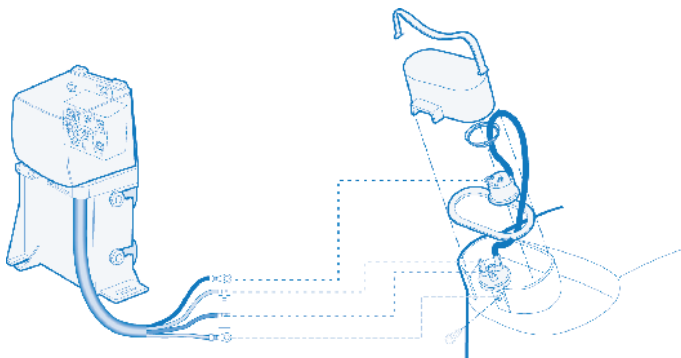
SM 15 NJ SERIES PSC



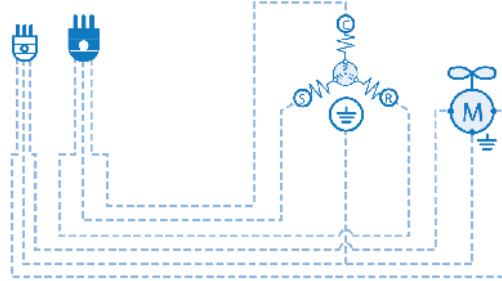
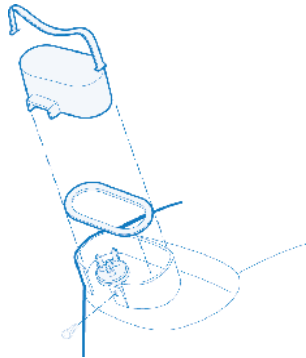
SM 16 NJ SERIES CSR Box (Internal Overload Protector)



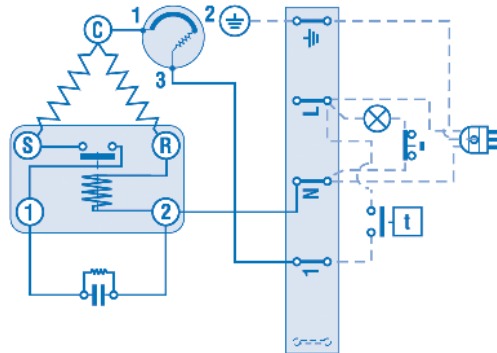
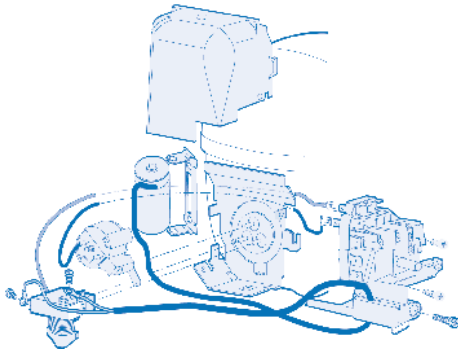
SM 17 NJ SERIES CSR Box



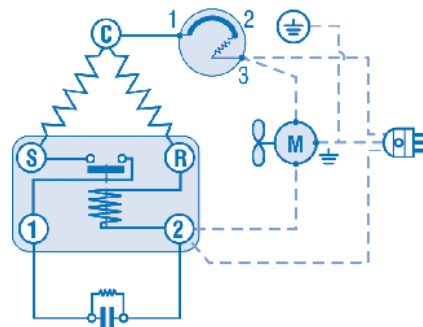
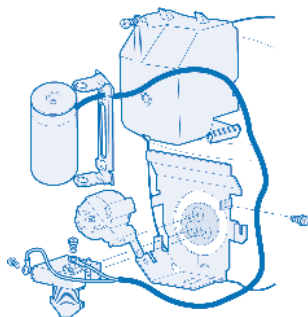
SM 18 NJ SERIES 3-Phase



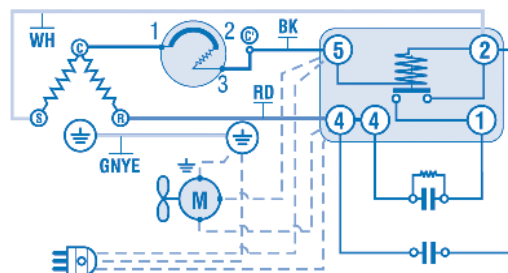
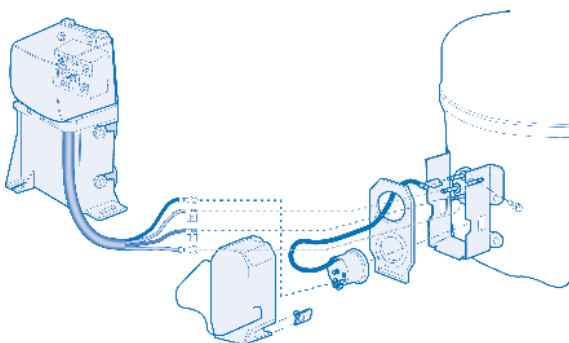
SM 19 NT SERIES CSIR Terminal Board



SM 20 NT SERIES CSIR Simple Cover

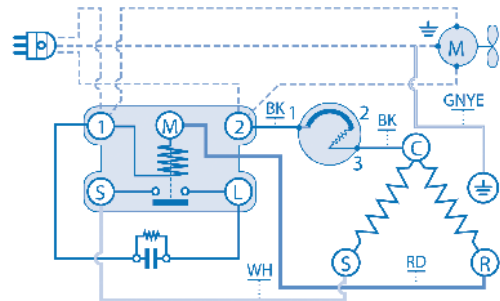
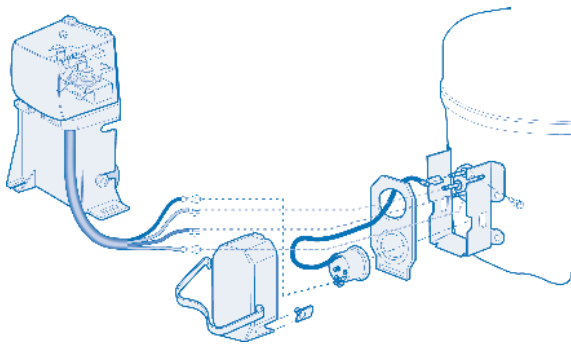


SM 21 NT SERIES CSR Box

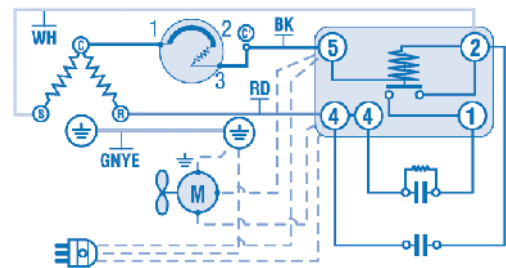
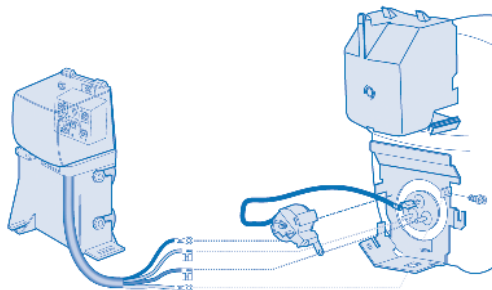


WIRING DIAGRAMS

SM 22 NT SERIES CSIR Box

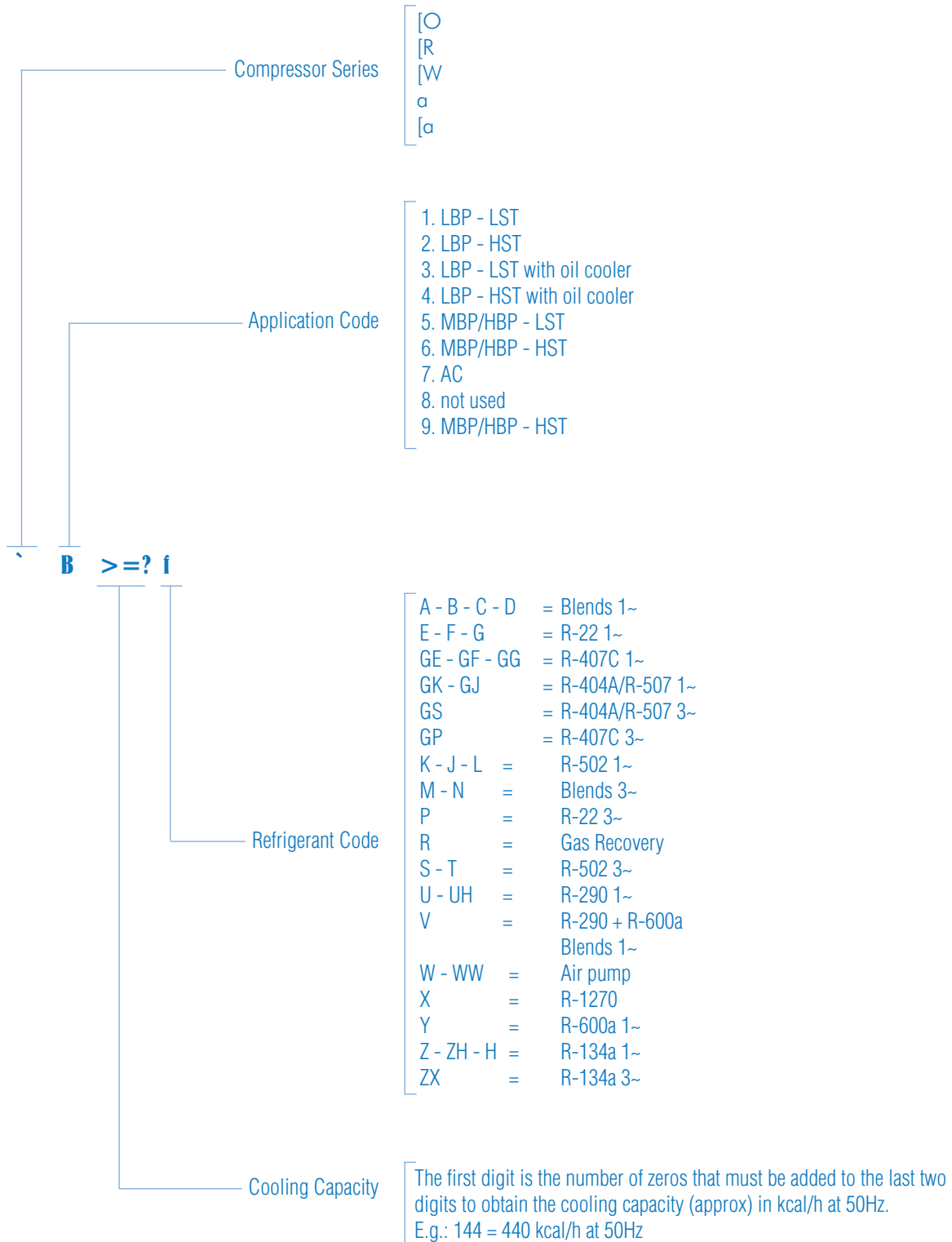


SM 23 NT SERIES CSR Box



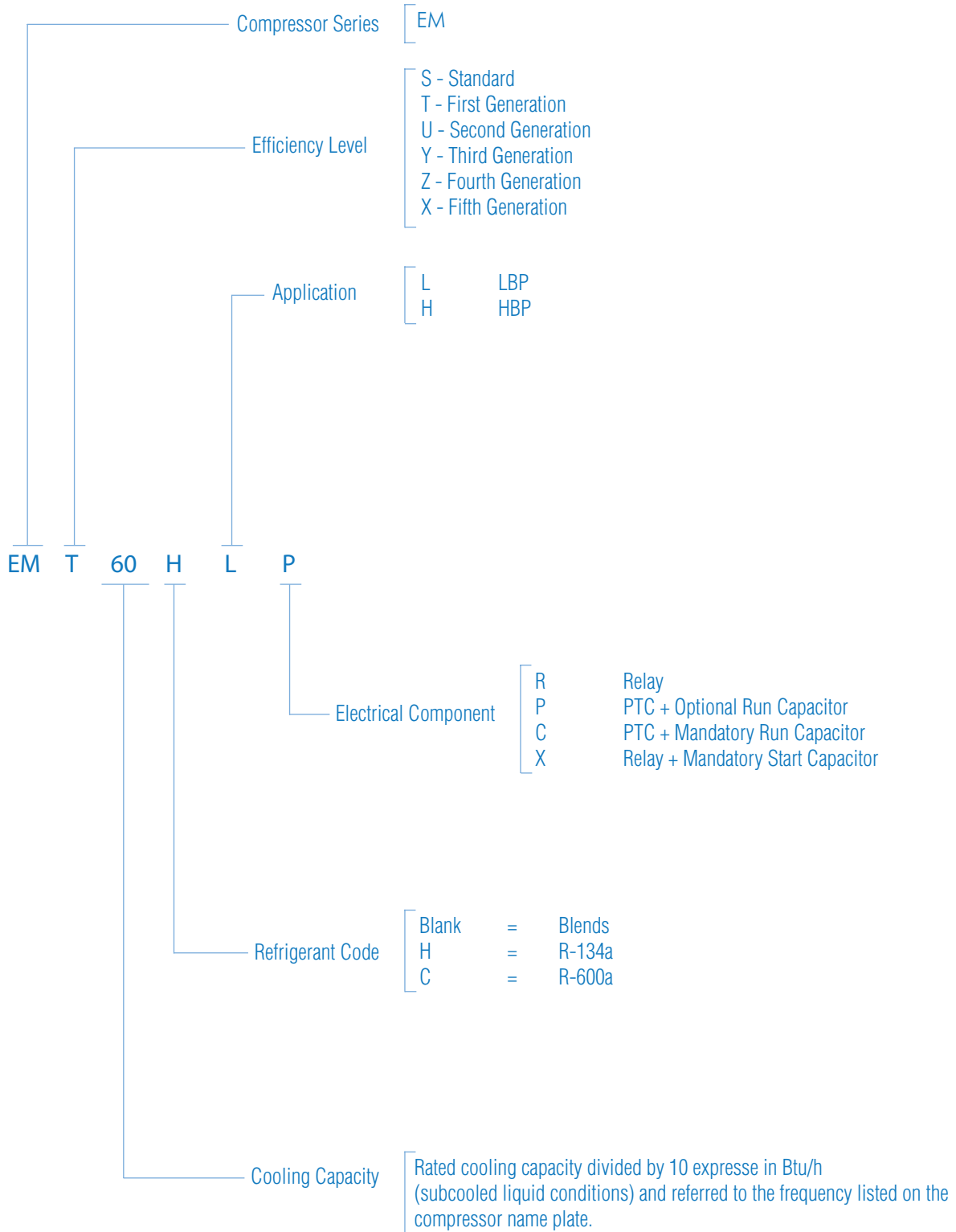
Notice: In order to increase the safety of our product, Embraco proposes the connection of the overload protector to the phase wire (Power Supply). The neutral wire must be connected at the starting relay.

COMPRESSOR MODEL



NOMENCLATURE

COMPRESSOR MODEL



BILL OF MATERIAL

Model Code

>@CM

M

External Execution Code

<>

Supply Code

A	=	220-240V 50Hz 1~
B	=	200-230V 50Hz / 208-230V 60Hz 1~
C	=	220V 50Hz 1~
D	=	208-230V 60Hz / 200V 50Hz 1~
G	=	115V 60Hz / 100V 50Hz 1~
H	=	265-277V 60Hz 1~
I	=	200-220V 60Hz 1~
J	=	230V 60Hz / 200V 50Hz 1~
K	=	200-220V 50Hz / 230V 60Hz 1~
L	=	200-240V 50Hz / 230V 60Hz 3~
M	=	380-420V 50Hz / 440-480V 60Hz 3~
N	=	200-240V 50Hz / 230V 60Hz 1~
Q	=	100V 50/60Hz 1~
T	=	220-230V 50Hz 1~
U	=	220V 60Hz 1~
V	=	230V 50Hz 1~
W	=	220V 50/60Hz 1~
Z	=	200 - 230V ~ 60Hz 1~



Brazil

Rui Barbosa, 1020 - P.O. BOX 91
89219-901 - Joinville - SC - Brazil
Phone: +55 47 3441-2121
Fax: +55 47 3441-2780



Italy

Via Buttigliera 6
10020 - Riva Presso Chieri (Torino) - Italy
P.O. BOX 151 - 10023 Chieri (TO)
Phone: +39 011 943-7111
Fax: +39 011 946-8377
+39 011 946-9950



Slovakia

Odorinska Cesta, 2 - 052-01
Spišská Nová Ves - Slovakia
Phone: +42 153 417-2291
+42 153 417-2293
Fax: +42 153 417-2299



U.S.A.

2800 Vista Ridge Drive NE
Suwanee, GA 30024-3510
Phone: +1 678 804-1337
Fax: +1 678 804-1338



China

29 Yuhua Road
Area B of Beijing Tianzhu Airport Industrial Zone
101312 - Beijing - China
Phone: +86 10 8048-2255
Fax: +86 10 6725-6825

Europe - Sales Office
Zona Industriale D1 - Via Fratelli Gambino, 7
10023 - Chieri (Torino) - Italy
Phone: +39 011 940-5611
Fax: +39 011 940-5656

Mexico - Sales Office
Av. Lazaro Cardenas 2321 - Piso 3
Residencial San Agustin
P.O. BOX 66260 - San Pedro Garza Garcia
Nuevo Leon - Mexico
Phone: +52 81 1001-7102
Fax: +52 81 1001-7142

www.embraco.com

embraco



Embraco is participating in the United Nations Global Compact.