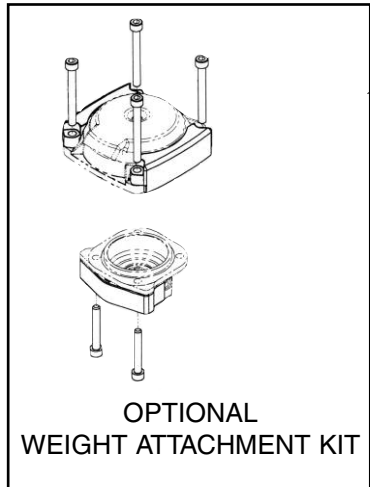
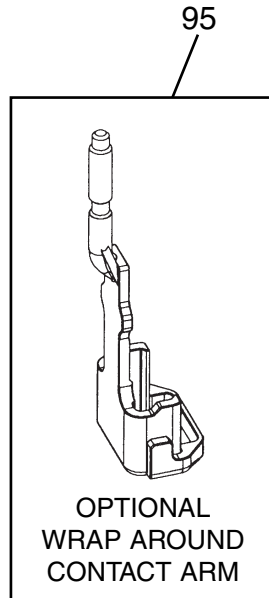


750S5

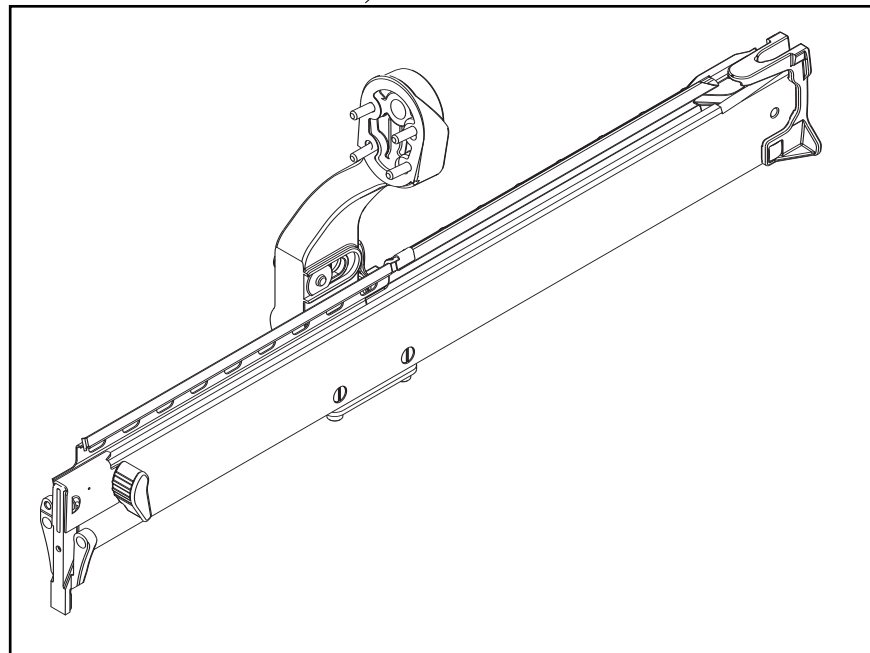
PNEUMATIC STAPLER
ENGRAPADORA NEUMÁTICA
AGRAFEUSE PNEUMATIQUE



OPTIONAL
WEIGHT ATTACHMENT KIT



OPTIONAL
WRAP AROUND
CONTACT ARM



BOSTITCH®

750S5

PNEUMATIC STAPLER
ENGRAPADORA NEUMÁTICA
AGRAFEUSE PNEUMATIQUE



TOOL PARTS ILLUSTRATION
ILUSTRACIÓN DE LAS PIEZAS DE LA HERRAMIENTA
ILLUSTRATION DES PIÈCES D'OUTILLAGE

⚠ WARNING:

⚠ ADVERTENCIA:

⚠ ATTENTION:

BEFORE PERFORMING REPAIRS ON THIS TOOL, ALL OPERATORS SHOULD STUDY THIS ILLUSTRATION, AS WELL AS THE PARTS LIST AND OPERATION AND MAINTENANCE MANUAL. OPERATORS SHOULD UNDERSTAND AND FOLLOW ALL SAFETY WARNINGS AND INSTRUCTIONS. KEEP THIS ILLUSTRATION WITH THE TOOL FOR FUTURE REFERENCE. IF YOU HAVE ANY QUESTIONS, CONTACT YOUR BOSTITCH REPRESENTATIVE OR DISTRIBUTOR.

ANTES DE LLEVAR A CABO CUALQUIER REPARACIÓN EN LA HERRAMIENTA, TODOS LOS OPERARIOS DEBERÁN ESTUDIAR ESTA ILUSTRACIÓN, ASÍ COMO LA LISTA DE PIEZAS Y EL MANUAL DE OPERACIÓN Y MANTENIMIENTO. LOS OPERARIOS DEBERÁN ENTENDER Y SEGUIR TODAS LAS ADVERTENCIAS E INSTRUCCIONES DE SEGURIDAD. CONSERVE ESTA ILUSTRACIÓN CON LA HERRAMIENTA PARA PODER CONSULTARLA EN LO FUTURO. SI TUVIERA ALGUNA PREGUNTA, PÓNGASE EN CONTACTO CON SU REPRESENTANTE O DISTRIBUIDOR DE BOSTITCH.

AVANT DE PROCÉDER À LA RÉPARATION DE CET OUTIL, LES OPÉRATEURS DOIVENT ÉTUDIER LA PRÉSENTE ILLUSTRATION AINSI QUE LA LISTE DE PIÈCES ET LE MANUEL D'INSTRUCTIONS ET D'ENTRETIEN ; ILS DOIVENT ÉGALEMENT COMPRENDRE ET OBSERVER LES CONSIGNES DE SÉCURITÉ ET LES INSTRUCTIONS. CONSERVER CETTE ILLUSTRATION AVEC L'OUTIL POUR RÉFÉRENCE FUTURE. SI VOUS AVEZ DES QUESTIONS, COMMUNIQUEZ AVEC VOTRE REPRÉSENTANT OU VOTRE DISTRIBUTEUR DE BOSTITCH.

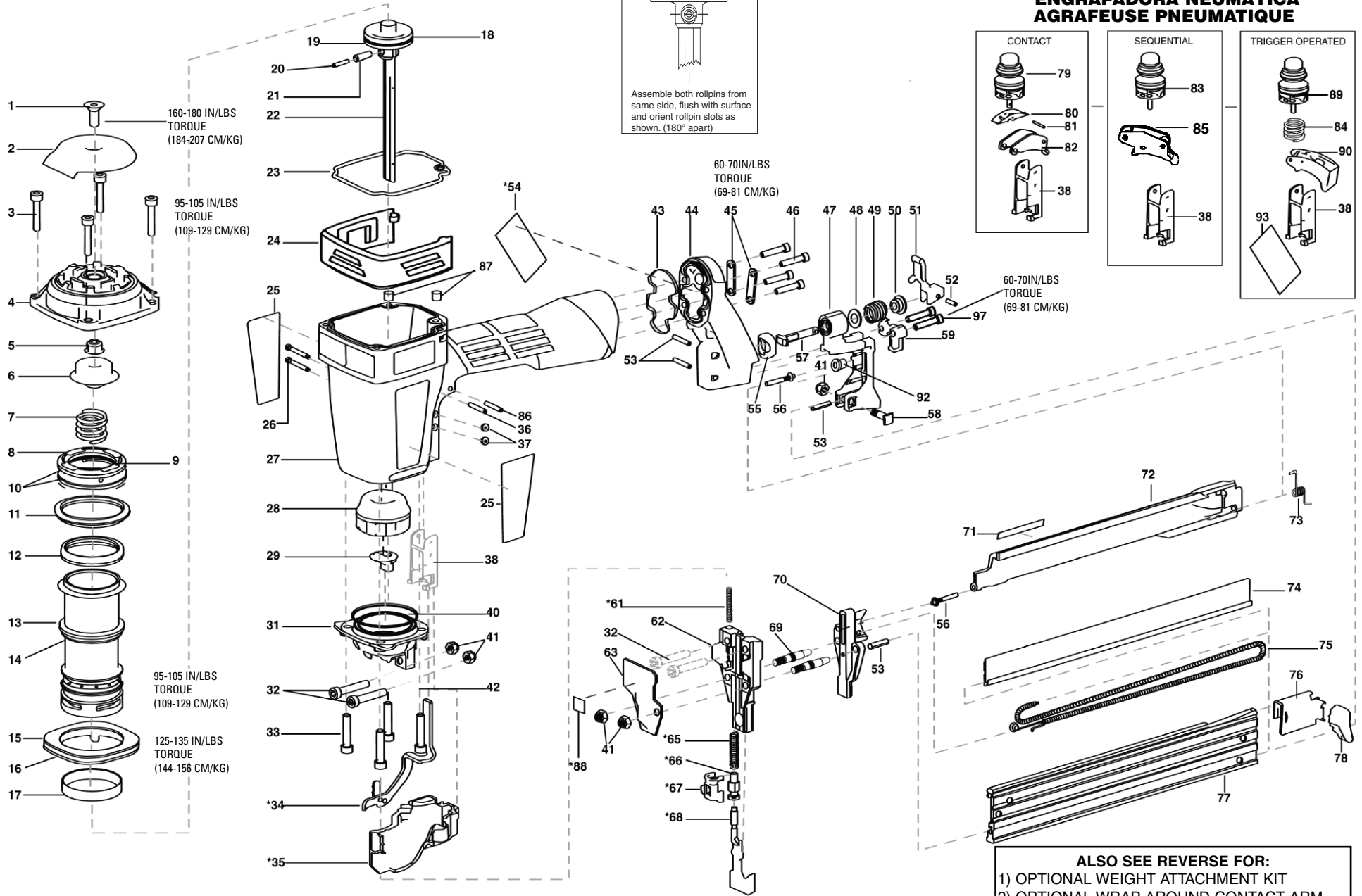
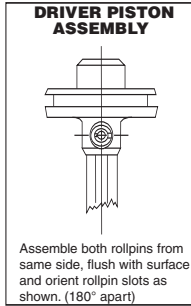
BOSTITCH®

IP1105-1REVH 10/07

Stanley Fastening Systems L.P.

750S5

PNEUMATIC STAPLER ENGRAPADORA NEUMÁTICA AGRAFEUSE PNEUMATIQUE



ALSO SEE REVERSE FOR:

- 1) OPTIONAL WEIGHT ATTACHMENT KIT
- 2) OPTIONAL WRAP AROUND CONTACT ARM
- 3) OPTIONAL LONG MAGAZINE KIT

* Not used for trigger operated tools.

BOSTITCH

	750S5	Parts List:	IP1105-2REVS		
	To be Used with tool parts illustration:			IP1105-1REVH	
	and operation and maintenance manual:			105805	
	Serial Number on the Tool:			750S5 8113 000 and Higher	
ITEM	PART #	DESCRIPTION	ITEM	PART #	DESCRIPTION
1	105749	SCREW,SFHCS,M8x1.25x20	56	103768	PIN,MAGAZINE COVER
2	103785	DEFLECTOR	57	105780	PIN,LATCH
3	MSC6100-30	SCREW,SHCS,M6X1.00X30	58	103851	BOLT,SQUARE(SPECIAL)
4	103816	CAP,FRAME	59	103776	MAGAZINE STOP
5	103859	NUT,HFN,M8X1.25	61	107310	SPRING,C.T.,INNER
6	103760	BUMPER,TOP	62	107221	NOSE,750S5
7	103767	SPRING,HEAD VALVE	63	103871	COVER,CONTACT ARM
8	103761	VALVE, HEAD	65	105776	SPRING,C.T.,OUTER
9	MRG041630	O-RING,1.638X.118	66	103865	NUT,ADJUSTING
10	103813	O-RING,2.217X.103	67	103864	ADAPTER
11	103818	RETAINER,CYL.SLEEVE	68	103792	ARM,LOWER CONTACT
12	103814	SEAL,CYLINDER	69	103838	PIN,NOSE
13	850006	O-RING,1.987X.103	70	103828	CORE TIP,750S5
14	104597	CYLINDER	71	105802	LABEL,MODEL 750S5
15	851753	O-RING,2.734X.139	72	104600	COVER,MAGAZINE
16	104605	RING,CYLINDER SLEEVE	73	103839	SPRING,TORSION
17	103862	GARTER BAND	74	103812	COVER,CORE,S5
18	103826	O-RING,PISTON,URETHANE	75	104613	SPRING,PUSHER ASSEMBLY
19	103759	PISTON,T55	76	103846	PUSHER,S5
20	UB2111.2	PIN,SPRING,.125X.69	77	105793	CORE ASSEMBLY
21	UB4809.1	PIN,SPRING,.219X.69	78	103791	HANDLE,PUSHER
22	106075	KIT,DRIVER REPLACEMENT-750S5	79	STV2	KIT,TRIGGER VALVE-SPEED
23	103802	SEAL,CAP	80	T55092	ROCKER,TRIGGER
24	107149	PROTECTOR,FRAME	81	MPD016012	PIN,DOWEL,.062X.459
25	105797	LABEL	82	100607	ASSEMBLY,TRIGGER
26	105811	SCREW,TRIGGER PIVOT	83	TVA6	KIT,TRIGGER VALVE
27	107180	FRAME OVERMOLD	85	SEQ6	KIT,SEQUENTIAL
28	103758	BUMPER,BOTTOM	86	MPP030020	PIN,SPIRAL M3X20MM
29	103803	GUIDE,DRIVER,50S5	87	105821	SLEEVE,FRAME GUARD
31	103782	FRAME,BOTTOM	88	851934	LABEL, TRIP ADJ.
32	MSC6100-35	SCREW,SHCS,M6X1.00X35	89	106869	KIT,TRIGGER VALVE
33	MSC6100-30	SCREW,SHCS,M6X1.00X30	90	107191	TRIGGER OPER TRIGGER ASSY
34	105773	ARM,UPPER CONTACT ASSY	92	106961	BEARING,COVER PIN
35	105808	COVER,CONTACT ARM ASSEMBLY	93	159927	LABEL,WARNING,T.O.
36	100298	PIN,SPIRAL M3X30	94	107205	KIT,WEIGHT ATTACHMENT
37	MHE3050-100	NUT,NYLON M3X.50	95	107596	ARM,WRAP AROUND CT-750
38	106953	UPPER TRIP GUIDE ASSY	96	108075	KIT,LONG MAG 750S5
40	RG198907-1	O-RING,1.989X0.070	97	MSC5080-20	SCREW,SOC HD. CAP M5 X 20
41	MHE6100-100	NUT,ESN M6X1			
42	105782	BRACE,LUG			
43	103808	SEAL,END CAP			
44	104602	CAP,FRAME END			
45	103819	RETAINER,END CAP			
46	MSC5080-25	SCREW,SHCS,M5X0.80X25			
47	103786	CAP,MAGAZINE END			
48	104612	WASHER			
49	105786	SPRING,LATCH LEVER			
50	103806	BUSHING,SPRING			
51	103447	TOGGLE,MAGAZINE			
52	MPG030012	PIN,SPRING,M3X12MM			
53	103858	PIN,SPRING,4X20MM			
54	159918	LABEL,WARNING,650/750/850			
55	103795	DISC,LATCH STOP			