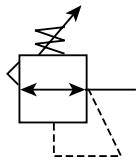


# Miniature Regulator R03

= "Most Popular"

**B**

Filters, Regulators, Lubricators



**R03-02-000**

## Features

- Unbalanced Poppet Standard
- Solid Control Piston with Lip Seal for Extended Life
- Non-rising Adjusting Knob
- Compact, 3.08 inch (78mm) High by 1.65 inch (42mm) Wide
- Easily Serviced

## Specifications

Flow Capacity*	1/8	13 SCFM (6.14 dm <sup>3</sup> /s)
	1/4	15 SCFM (7.08 dm <sup>3</sup> /s)
Gauge Ports (2)	1/8	
Port Threads	1/8, 1/4 Inch	
Supply Pressure	0 to 300 PSIG (0 to 20.7 bar)	
Operating Temperature	32°F to 125°F (0°C to 52°C)	
Secondary Pressure Ranges –		
Standard Pressure	2 to 125 PSIG (0 to 8.6 bar)	
Medium Pressure	1 to 60 PSIG (0 to 4.1 bar)	
Medium Pressure	1 to 30 PSIG (0 to 2.1 bar)	
Low Pressure	1 to 15 PSIG (0 to 1.0 bar)	
Weight	.3 lb. (.14 kg)	

\* Inlet pressure 100 PSIG (6.9 bar). Secondary pressure 90 PSIG (6.2 bar) and 10 PSIG pressure drop.

## Materials of Construction

Adjusting Nut	Brass
Adjusting Stem & Spring	Steel
Body	Zinc
Bonnet, Seat, Piston & Valve Poppet	Plastic
Seals	Nitrile

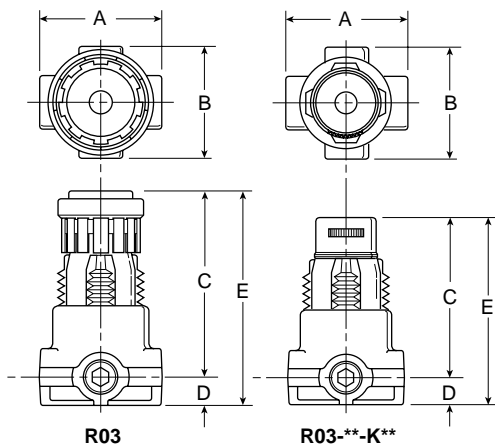
### WARNING

**Product rupture can cause serious injury.  
Do not connect regulator to bottled gas.  
Do not exceed maximum primary pressure rating.**

## CAUTION:

**REGULATOR PRESSURE ADJUSTMENT** – The working range of knob adjustment is designed to permit outlet pressures within their full range. Pressure adjustment beyond this range is also possible because the knob is not a limiting device. This is a common characteristic of most industrial regulators, and limiting devices may be obtained only by special design.

For best performance, regulated pressure should always be set by increasing the pressure up to the desired setting.



Note: 1.218" dia. (31) mm hole required for panel mounting.

## Dimensions

Model	Inches (mm)	A	B	C	D	E
Standard Unit R03-XX-XXX		1.65 (42)	1.56 (39.6)	2.50 (63.5)	.38 (9.6)	2.88 (73)
Preset, Non-Adjustable Unit R03-XX-KXX		1.65 (42)	1.56 (39.6)	2.28 (57.9)	.38 (9.6)	2.66 (67.6)

= "Most Popular"

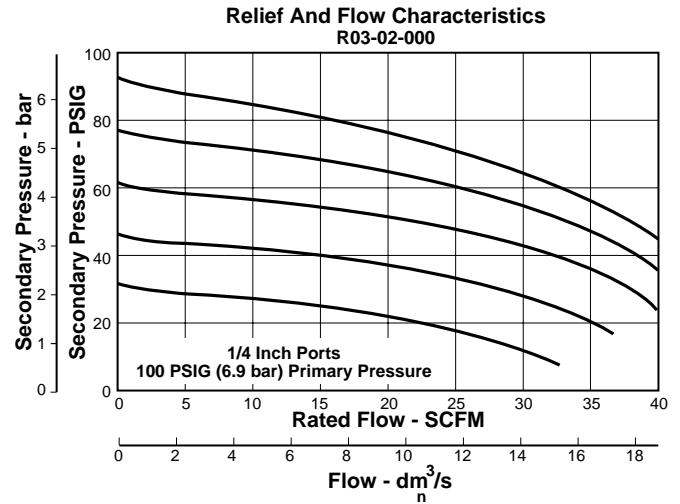
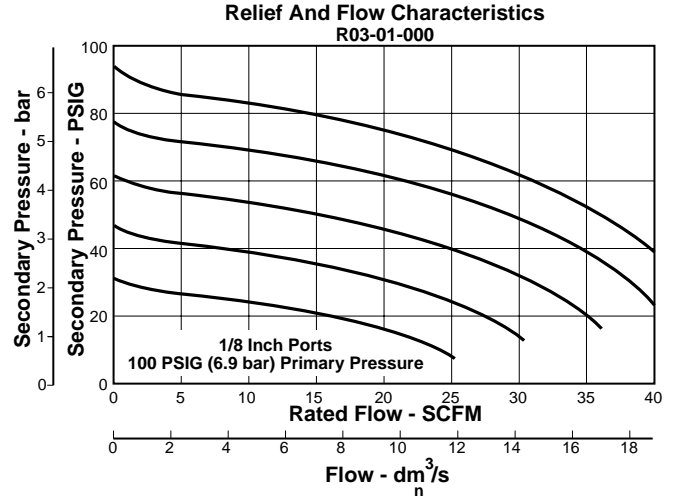
### Replacement Kits

- Poppet / Piston Kits –  
 Unbalanced, Non-Relieving ..... PS428P  
 Unbalanced, Relieving ..... PS426P
- Springs –  
 1-30 PSIG Range ..... P01175  
 1-60 PSIG Range ..... P01174  
 2-125 PSIG Range ..... P01173  
 1-15 PSIG Range ..... P01176

### Accessories

- Gauge, Pressure –  
 30 PSIG, 1/8" NPT (0 to 2.1 bar) ..... K4515N18030  
 60 PSIG, 1/8" NPT (0 to 4.1 bar) ..... K4515N18060  
 160 PSIG, 1/8" NPT (0 to 11.0 bar) ..... K4515N18160
- Mounting Bracket Kit\* (Includes Panel Mount Nut) ..... PS417B
- Panel Mount Nuts\* –  
 Plastic ..... P78652  
 Metal ..... P01531

\*Tighten panel mount nut 2.8 to 3.4 Nm (25 to 30 in-lbs) of torque.



B  
Filters, Regulators, Lubricators

Ordering Information					
Model Type	Port Size	Without Gauge 2 to 125 PSIG (0.2 to 8.6 bar)	Without Gauge 1 to 60 PSIG (0.2 to 4.1 bar)	Without Gauge 1 to 30 PSIG (0.2 to 2.1 bar)	Without Gauge 1 to 15 PSIG (0.2 to 1.0 bar)
Relieving	1/8	R03-01-000	R03-01-L00	R03-01-P00	R03-01-Q00
	1/4	R03-02-000	R03-02-L00	R03-02-P00	R03-02-Q00

Options - To order an option supplied with the unit model, add the appropriate coded suffix letter in the designated position of the model number.