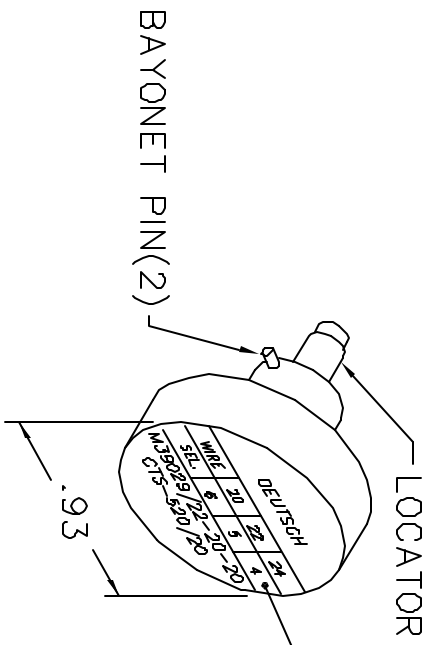
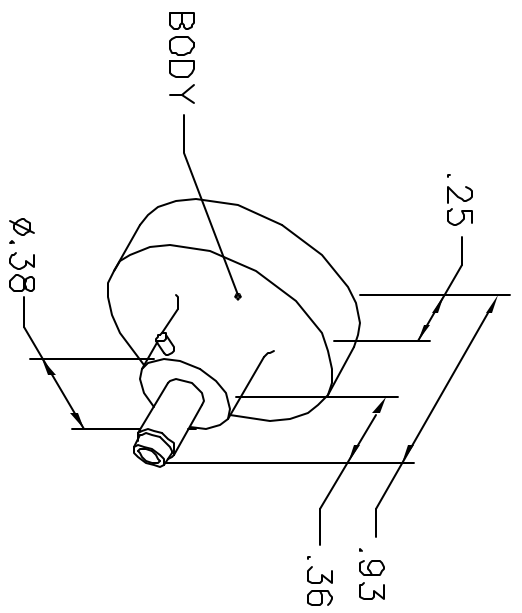


REVISIONS				
REV. SYM.	E.C.D. NUMBER	DESCRIPTION	BY DATE	APP'D DATE
2		∅.239 WAS ∅.219	LLW 2/21/91	PD 2/91

**UNCONTROLLED DOCUMENT
WILL NOT BE UPDATED**



DEUTSCH			
WIRE	20	22	24
SEL.	6	5	4
M39029/22-20-20 CTS-S20/20			

NOTE: FOR USE WITH DANIELS CRIMP TOOLS
ACCOMMODATING "K" SERIES POSITIONERS

LOCATOR	ADDITIONAL FEATURES
HOLE DIMENSIONS	
∅.096	
∅.239	

RESTRICTED & CONFIDENTIAL

CONFIDENTIAL PROPERTY OF DANIELS MANUFACTURING CORP. NOT TO BE DISCLOSED TO OTHERS, REPRODUCED OR USED FOR ANY OTHER PURPOSE, EXCEPT AS AUTHORIZED IN WRITING BY DANIELS MANUFACTURING. MUST BE RETURNED TO DANIELS MANUFACTURING CORP. ON COMPLETION OF ORDER OR OTHER PURPOSE FOR WHICH LENT.

DO NOT SCALE DRAWING

DRN.	LLW	DATE
CHK'D.	PD	DATE
APP'D.	MGS	DATE
APP'D.		DATE

DANIELS MANUFACTURING CORP.
ORLANDO, FLORIDA
CAGE 11851

TITLE
POSITIONER
ENVELOPE DRAWING

WHERE USED: ANMB

SIZE	SCALE	CAD P/N	SHEET	OF
A	NTS	K503-ENV	1	1
POSTING		P/N	REV.	
		K503-ENV	2	