

Gate Valves



- SERIES 771H OS&Y GROOVE x GROOVE
- SERIES 772H NRS GROOVE x GROOVE
- SERIES 771F OS&Y GROOVE x FLANGE
- SERIES 772F NRS GROOVE x FLANGE
- SERIES 773 WALL POST INDICATOR
- SERIES 774 UPRIGHT POST INDICATOR

- All are c-UL-us listed and FM approved.
- Series 771H Outside Stem and Yoke (OS&Y), Series 772H NRS (Non-Rising Stem) Groove x Groove, Series 771F OS&Y and Series 772F Groove x Flange are available in: 2 1/2 – 12"/65 – 300mm sizes
- Valves are designed for service up to 250psi/1725 kPa

Victaulic gate valves feature three internal parts making maintenance simple. The disc is rubber encapsulated for true compression sealing and the reduction of wear and jamming. The Series 771H OS&Y and Series 771F OS&Y gate valves are used when positive shut off is required and a quick visual indicator of open/closed position is required. The Series 772H NRS and Series 772F NRS gate valves are typically used for shut-off service where the valve is operated remotely, such as when the valve is behind a wall or buried. Series 772H NRS and Series 772F NRS gate valves are offered with optional wall (Series 773) or upright (Series 774) post indicators.



MATERIAL SPECIFICATIONS

Series 771 OS & Y and 772 NRS Gate Valves

- Body:** Ductile iron conforming to ASTM A-536 grade 65-45-12
- Body Gasket:** EPDM
- Body Bolts:** Plated Steel w/ Plastic Covers
- Handwheel:**
- OS & Y Yoke (Series 771 only):** Ductile iron conforming to ASTM A-536 grade 65-45-12
- Bonnet:** Ductile iron conforming to ASTM A536 grade 65-45-12
- Bonnet/Body Coating:** Fusion bonded Epoxy coating
- Disc:** Cast iron, EPDM coated
- Disc Nut:** Bronze, conforming to ASTM B62
- Stem:** Brass, ASTM B16

Continued on page 2.

JOB/OWNER

System No. _____
 Location _____

CONTRACTOR

Submitted By _____
 Date _____

ENGINEER

Spec Sect _____ Para _____
 Approved _____
 Date _____

Gate Valves

SERIES 771H OS&Y GROOVE x GROOVE
SERIES 772H NRS GROOVE x GROOVE
SERIES 771F OS&Y GROOVE x FLANGE
SERIES 772F NRS GROOVE x FLANGE
SERIES 773 WALL POST INDICATOR
SERIES 774 UPRIGHT POST INDICATOR

MATERIAL SPECIFICATIONS

Continued from page 1

O-Ring Seals: EPDM

Optional:

- **Indicator Post Flange:** Ductile iron conforming to ASTM A-536 grade 65-45-12 available for NRS valves only

Series 773 & 774 Indicators

Target Frame: Bronze conforming to ASTM B62

Window: Polycarbonate

Series 773 Wall Post Indicator:

Body: Cast iron conforming to ASTM A-126-B

Operating Stem: Bronze conforming to ASTM B62

Operating Rod: Carbon steel

Series 774 Upright Indicators:

Body: Cast iron conforming to ASTM A-126-B

Extension Sleeve: Cast iron conforming to ASTM A-126-B

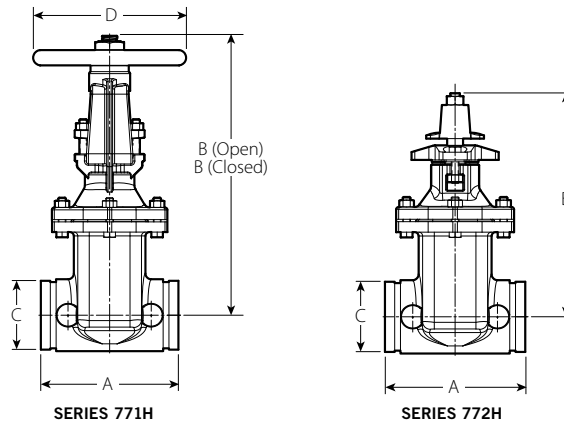
Gate Valves

- SERIES 771H OS&Y GROOVE x GROOVE
- SERIES 772H NRS GROOVE x GROOVE
- SERIES 771F OS&Y GROOVE x FLANGE
- SERIES 772F NRS GROOVE x FLANGE
- SERIES 773 WALL POST INDICATOR
- SERIES 774 UPRIGHT POST INDICATOR

DIMENSIONS

Series 771H OS&Y and Series 772H Grooved x Grooved

| Size | | Dimensions – Inches/mm | | | | | | Approx. Weight Each Lbs./kg | |
|------------------------|-------------------------------|------------------------|----------------------|----------------|----------------------|----------------|--------------|-----------------------------|-----------------|
| Nominal Size Inches/mm | Actual Outside Dia. Inches/mm | A | Series 771H Height B | | Series 772H Height B | C | D | Series 771H | Series 772H |
| | | | Closed | Open | | | | | |
| 2½ 65 | 2.88 73.0 | 7.500 190.5 | 16.18 411 | 18.74 476 | 11.02 280 | 2.88 73 | 7.87 200 | 31.5 14.3 | 22.05 10 |
| 76.1 mm | 3.00 76.1 | 7.500 190.5 | 16.18 411 | 19.18 487.1 | 11.02 280 | 3.00 76.1 | 7.87 200 | 31.5 14.3 | 22.05 10 |
| 3 80 | 3.50 88.9 | 7.992 203 | 17.09 434 | 20.34 514 | 12.21 310 | 3.50 88.9 | 7.87 200 | 39.3 17.8 | 29.77 13.5 |
| 4 100 | 4.50 114.3 | 9.016 229 | 18.11 460 | 22.05 560 | 13.58 345 | 4.50 114.3 | 10.24 260 | 55.4 25.1 | 39.69 18 |
| 165.1 mm | 6.50 165.1 | 10.512 267 | 23.90 607 | 30.40 772.1 | 17.13 435 | 6.50 165.1 | 12.40 315 | 104.8 47.5 | 81.13 36.8 |
| 6 150 | 6.63 168.3 | 10.512 267 | 23.90 607 | 29.80 757 | 17.13 435 | 6.63 168.3 | 12.40 250 | 104.8 47.5 | 81.13 36.8 |
| 8 200 | 8.63 219.1 | 11.496 292 | 28.59 726 | 36.46 926 | 20.12 511 | 8.63 219.1 | 14.76 375 | 174.0 78.9 | 134.49 61 |
| 10 250 | 10.75 273 | 12.992 330 | 35.04 890 | 44.88 1140 | 24.02 610 | 10.75 273 | 16.38 416 | 262.4 119 | 194.00 88 |
| 12 300 | 12.75 323.9 | 14.016 356 | 40.12 1019 | 51.93 1319 | 27.68 703 | 12.75 323.9 | 17.52 445 | 392.9 178.2 | 310.41 140.8 |



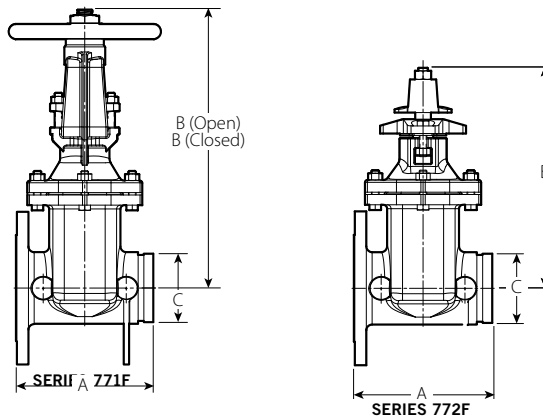
Gate Valves

- SERIES 771H OS&Y GROOVE x GROOVE
- SERIES 772H NRS GROOVE x GROOVE
- SERIES 771F OS&Y GROOVE x FLANGE
- SERIES 772F NRS GROOVE x FLANGE
- SERIES 773 WALL POST INDICATOR
- SERIES 774 UPRIGHT POST INDICATOR

DIMENSIONS

Series 771F OS&Y and Series 772F Flanged x Grooved come standard with an ANSI Class 150 flange. Other sizes are available. Contact Victaulic for details.

| Size | | Dimensions – Inches/mm | | | | | | Approx. Weight Each Lbs./kg | |
|--------------------|----------------------------|------------------------|----------------------|-------|----------------------|-------|-------|-----------------------------|-------------|
| Nomial Size Inches | Actual Outside Dia. Inches | A | Series 771F Height B | | Series 772F Height B | C | D | Series 771F | Series 772F |
| | | | Closed | Open | | | | | |
| 2½ 65 | 2.88 | 7.500 | 16.18 | 18.74 | 11.02 | 2.88 | 7.87 | 38.14 | 30.43 |
| | 73 | 190.5 | 411 | 476 | 280 | 73 | 200 | 17.3 | 13.8 |
| 76.1 mm | 3.00 | 7.500 | 16.18 | 19.18 | 11.02 | 3.00 | 7.87 | 38.14 | 30.43 |
| | 76.1 | 190.5 | 411 | 487.1 | 280 | 76.1 | 200 | 17.3 | 13.8 |
| 3 80 | 3.50 | 7.992 | 17.09 | 20.34 | 12.21 | 3.50 | 7.87 | 48.06 | 37.48 |
| | 88.9 | 203 | 434 | 514 | 310 | 88.9 | 200 | 21.8 | 17 |
| 4 100 | 4.50 | 9.016 | 18.11 | 22.05 | 13.58 | 4.50 | 10.24 | 70.55 | 52.91 |
| | 114.3 | 229 | 460 | 560 | 345 | 114.3 | 260 | 32 | 24 |
| 165.1 mm | 6.50 | 10.512 | 23.90 | 30.40 | 17.13 | 6.50 | 12.40 | 121.26 | 94.80 |
| | 165.1 | 267 | 607 | 772.1 | 435 | 165.1 | 315 | 55 | 43 |
| 6 150 | 6.63 | 10.512 | 23.90 | 29.80 | 17.13 | 6.63 | 12.40 | 121.26 | 94.80 |
| | 168.3 | 267 | 607 | 757 | 435 | 168.3 | 250 | 55 | 43 |
| 8 200 | 8.63 | 11.496 | 28.59 | 36.46 | 20.12 | 8.63 | 14.76 | 196.22 | 158.74 |
| | 219.1 | 292 | 726 | 926 | 511 | 219.1 | 375 | 89 | 72 |
| 10 250 | 10.75 | 12.992 | 35.04 | 44.88 | 24.02 | 10.75 | 16.38 | 310.86 | 253.54 |
| | 273 | 330 | 890 | 1140 | 610 | 273 | 416 | 141 | 115 |
| 12 300 | 12.75 | 14.016 | 40.12 | 51.93 | 27.68 | 12.75 | 17.52 | 449.75 | 376.99 |
| | 323.9 | 356 | 1019 | 1319 | 703 | 323.9 | 445 | 204 | 171 |



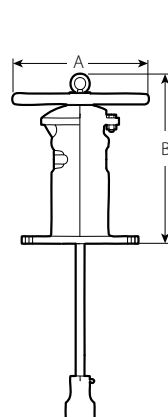
Gate Valves

- SERIES 771H OS&Y GROOVE x GROOVE
- SERIES 772H NRS GROOVE x GROOVE
- SERIES 771F OS&Y GROOVE x FLANGE
- SERIES 772F NRS GROOVE x FLANGE
- SERIES 773 WALL POST INDICATOR
- SERIES 774 UPRIGHT POST INDICATOR

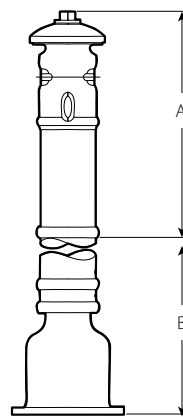
DIMENSIONS

Series 773 Wall Post Indicator
 Series 774 Upright Post Indicator

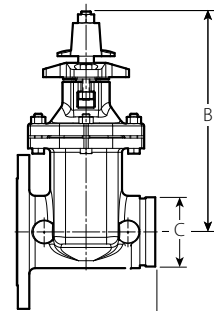
| Post Indicator | Dimensions – Inches/millimeters | | | Approx. Weight Ea. |
|--------------------|---------------------------------|----------------|---------------|--------------------|
| | A | B-min. | B-max. | Lbs. kg |
| Series 773 Wall | 14.00 356 | 15.54 394.6 | — | 127.8 58.0 |
| Series 774 Upright | 39.92 1014 | 21.65 550 | 61.42 1560 | 163.0 74.0 |



SERIES 773
WALL POST
INDICATOR



SERIES 774
UPRIGHT POST
INDICATOR



SERIES 772F

| Post Indicator – Typical Dimensions (For Upright & Wall) Inches/mm | | |
|---|---|-------------------------------------|
| Nominal Size Inches mm | C Dimension from Centerline to Top of the Operating Nut | Approximate No. of Turns to Open |
| 2½ 65 | 11.58 298 | 9 |
| 76.1 mm | 11.58 298 | 9 |
| 3 80 | 12.92 328 | 10 |
| 4 100 | 14.29 363 | 13 |
| 6 150 | 17.13 453 | 16 |
| 165.1 mm | 17.13 453 | 16 |
| 8 200 | 20.83 529 | 17 |
| 10 250 | 24.73 628 | 21 |
| 12 300 | 28.39 721 | 26 |

NOTE: Series 772H and Series 772F NRS Gate Valves must be equipped with a mounting plate if used with the Series 774 Upright Post Indicator. Contact Victaulic for details.

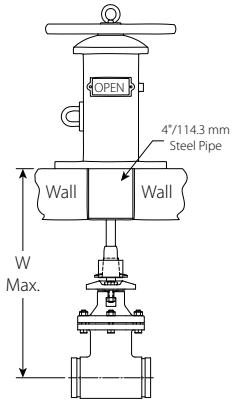
Series 773 and Series 774 Post Indicators are intended for use on NRS valves only.

Gate Valves

- SERIES 771H OS&Y GROOVE x GROOVE
- SERIES 772H NRS GROOVE x GROOVE
- SERIES 771F OS&Y GROOVE x FLANGE
- SERIES 772F NRS GROOVE x FLANGE
- SERIES 773 WALL POST INDICATOR
- SERIES 774 UPRIGHT POST INDICATOR

DIMENSIONS

Series 773 Wall Post Indicator
Maximum Distance from Exterior Wall Surface



| Size | | Maximum Distance from Exterior of Wall |
|------------------------------|-------------------------------------|--|
| Nominal Size Inches mm | Actual Outside Dia. Inches mm | Inches mm |
| | | W Maximum |
| 2½ 65 | 2.875 73.0 | 33.0 838 |
| 3 80 | 3.500 88.9 | 36.9 936 |
| 4 100 | 4.500 114.3 | 37.3 948 |
| 165.1 mm | 6.500 165.1 | 41.3 1048 |
| 6 150 | 6.625 168.3 | 41.3 1048 |
| 8 200 | 8.625 219.1 | 44.7 1135 |
| 10 250 | 10.750 273.0 | 48.6 1235 |
| 12 300 | 12.750 323.9 | 52.1 1324 |

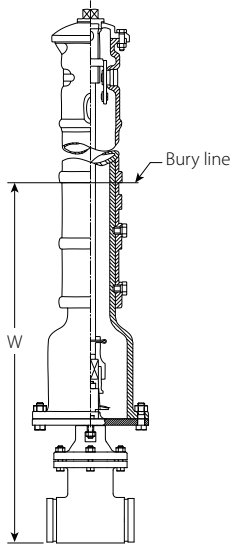
NOTE: Dimensions given are for standard rod length. Greater distances may be achieved. Contact Victaulic for details.

Gate Valves

- SERIES 771H OS&Y GROOVE x GROOVE
- SERIES 772H NRS GROOVE x GROOVE
- SERIES 771F OS&Y GROOVE x FLANGE
- SERIES 772F NRS GROOVE x FLANGE
- SERIES 773 WALL POST INDICATOR
- SERIES 774 UPRIGHT POST INDICATOR

DIMENSIONS

Series 774 Upright Post Indicator
Bury Depth



| Size | | W Bury Depth Inches mm | |
|--------------------------------|--|---------------------------------|---------------|
| Nomial Size Inches mm | Actual Outside Dia. Inches mm | Minimum | Maximum |
| 2½ 65 | 2.875 73.0 | 31.23 793 | 71 1803 |
| 3 80 | 3.500 88.9 | 32.57 827 | 72.34 1837 |
| 4 100 | 4.500 114.3 | 33.94 862 | 73.71 1872 |
| 165.1 mm | 6.500 165.1 | 36.78 934 | 76.55 1944 |
| 6 150 | 6.625 168.3 | 36.78 934 | 76.55 1944 |
| 8 200 | 8.625 219.1 | 40.48 1028 | 80.25 2038 |
| 10 250 | 10.750 273.0 | 44.38 1127 | 84.15 2137 |
| 12 300 | 12.750 323.9 | 48.04 1220 | 87.81 2230 |

Gate Valves

SERIES 771H OS&Y GROOVE x GROOVE
SERIES 772H NRS GROOVE x GROOVE
SERIES 771F OS&Y GROOVE x FLANGE
SERIES 772F NRS GROOVE x FLANGE
SERIES 773 WALL POST INDICATOR
SERIES 774 UPRIGHT POST INDICATOR

WARRANTY

Refer to the Warranty section of the current Price List or contact Victaulic for details.

NOTE

This product shall be manufactured by Victaulic or to Victaulic specifications. All products to be installed in accordance with current Victaulic installation/assembly instructions. Victaulic reserves the right to change product specifications, designs and standard equipment without notice and without incurring obligations.

For complete contact information, visit www.victaulic.com

10.92 3003 REV E UPDATED 12/2011

VICTAULIC IS A REGISTERED TRADEMARK OF VICTAULIC COMPANY. © 2012 VICTAULIC COMPANY. ALL RIGHTS RESERVED.

10.92_8

