

FireLock® Butterfly Valve

Style 705 with Weatherproof Actuator



Approvals/Listings:



[See Victaulic Publication 10.01 for more details.](#)

Product Description:

The Series 705 Butterfly Valve features a weatherproof actuator housing Approved for indoor or outdoor use, a ductile iron body and disc with EPDM seats. Designed for fire protection services only. Victaulic FireLock Series 705 Butterfly Valve is cULus Listed, LPCB Listed, FM and VdS Approved for 300 psi/2068 kPa service. Contact Victaulic for details of agency approvals.

Material Specifications:

Body: Ductile iron conforming to ASTM A-536, grade 65-45-12

End Face, 2 – 6"/50 – 150 mm: Ductile iron conforming to ASTM A-536, grade 65-45-12

Seal Retainer, 8 – 12"/200 – 300 mm: Ductile iron conforming to ASTM A-536, grade 65-45-12

Coating: Black alkyd enamel

Disc: Ductile iron conforming to ASTM A-536, grade 65-45-12, with electroless nickel coating conforming to ASTM B-733

Seat:

Grade "E" EPDM

Stems: 416 stainless steel conforming to ASTM A-582

Stem Seal Cartridge: C36000 brass

Bearings: Stainless Steel with TFE lining

Stem Seals: EPDM

Stem Retaining Ring: Carbon steel

Actuator:

2 – 8"/50 – 200mm: Brass or bronze traveling nut on a steel lead screw, in a ductile iron housing

10 – 12"/250 – 300mm: Steel worm and cast iron quadrant gear, in a cast iron housing

Job/Owner

System No.	
Location	

Contractor

Submitted By	
Date	

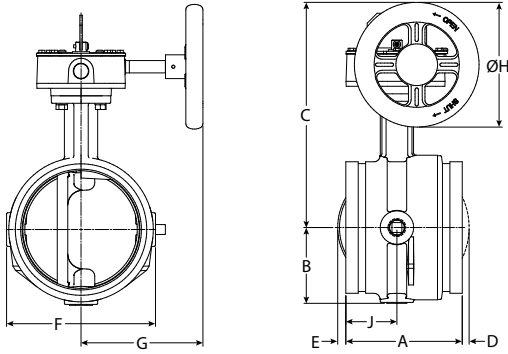
Engineer

Spec Section	
Paragraph	
Approved	
Date	

Approvals and Listings:

Size	Approval/Listing Service Pressures			
	Series 705 Butterfly Valve			
	cULus	FM	Vds	LPCB
2"/50 mm	up to 300psi/2068kPa	n/a	up to 300psi/2068kPa	up to 300psi/2068kPa
2½"/65 mm	up to 300psi/2068kPa	up to 300psi/2068kPa	n/a	up to 300psi/2068kPa
76.1 mm	up to 300psi/2068kPa	up to 300psi/2068kPa	up to 300psi/2068kPa	up to 300psi/2068kPa
3"/80 mm	up to 300psi/2068kPa	up to 300psi/2068kPa	up to 300psi/2068kPa	up to 300psi/2068kPa
4"/100 mm	up to 300psi/2068kPa	up to 300psi/2068kPa	up to 300psi/2068kPa	up to 300psi/2068kPa
5"/125 mm	up to 300psi/2068kPa	up to 300psi/2068kPa	n/a	up to 300psi/2068kPa
139.7 mm	up to 300psi/2068kPa	up to 300psi/2068kPa	up to 300psi/2068kPa	up to 300psi/2068kPa
6"/150 mm	up to 300psi/2068kPa	up to 300psi/2068kPa	up to 300psi/2068kPa	up to 300psi/2068kPa
165.1 mm	up to 300psi/2068kPa	up to 300psi/2068kPa	n/a	up to 300psi/2068kPa
8"/200 mm	up to 300psi/2068kPa	up to 300psi/2068kPa	up to 300psi/2068kPa	up to 300psi/2068kPa
10"/250 mm	up to 300psi/2068kPa	up to 300psi/2068kPa	n/a	up to 300psi/2068kPa
12"/300 mm	up to 300psi/2068kPa	up to 300psi/2068kPa	n/a	up to 300psi/2068kPa

Dimensions:



NOTE: OPTIONAL 1/2"/15MM TAP AVAILABLE.
CONTACT VICTAULIC FOR DETAILS.

Nominal Size	Actual Outside Diameter	Dimensions								
		E to E A	B	C	D	E	F	G	DIA H	J
inches mm	inches mm	inches mm	inches mm	inches mm	inches mm	inches mm	inches mm	inches mm	inches mm	inches mm
2 60.3	2.375 60.3	4.25 108.0	2.28 57.9	6.41 162.8	-	-	4.00 101.6	4.22 107.2	4.50 114.3	2.12 53.8
2½ 73	2.875 73.0	3.77 95.8	2.28 57.9	7.54 191.5	-	-	4.00 101.6	4.22 107.2	4.50 114.3	1.77 45.0
76.1 mm	3.000 76.1	3.77 95.8	2.28 57.9	7.54 191.5	-	-	4.00 101.6	4.22 107.2	4.50 114.3	1.77 45.0
3 88.9	3.500 88.9	3.77 95.8	2.53 64.3	7.79 197.9	-	-	4.50 114.3	4.22 107.2	4.50 114.3	1.77 45.0
108 mm	4.250 108.0	4.63 117.6	2.88 73.2	8.81 223.8	-	-	5.50 139.7	4.22 107.2	4.50 114.3	2.20 55.9
4 114.3	4.500 114.3	4.63 117.6	2.88 73.2	8.81 223.8	-	-	5.50 139.7	4.22 107.2	4.50 114.3	2.20 55.9
133 mm	5.250 133.0	5.88 149.4	3.35 85.1	10.88 276.4	-	-	6.56 166.6	6.19 157.2	6.30 160.0	2.58 65.5
139.7 mm	5.500 139.7	5.88 149.4	3.35 85.1	10.88 276.4	-	-	6.56 166.6	6.19 157.2	6.30 160.0	2.58 65.6
5 141.3	5.563 141.3	5.88 149.4	3.35 85.1	10.88 276.4	-	-	6.56 166.6	6.19 157.2	6.30 160.0	2.58 65.5
159 mm	6.250 159.0	5.88 149.4	3.84 97.5	11.38 289.1	-	0.41 10.4	7.52 191.0	6.19 157.2	6.30 160.0	2.58 65.5
165.1 mm	6.500 165.1	5.88 149.4	3.84 97.5	11.38 289.1	-	0.41 10.4	7.52 191.0	6.19 157.2	6.30 160.0	2.58 65.5
6 168.3	6.625 168.3	5.88 149.4	3.84 97.5	11.38 289.1	-	0.41 10.4	7.52 191.0	6.19 157.2	6.30 160.0	1.90 48.3
8 219.1	8.625 219.1	5.33 135.4	5.07 128.8	13.53 343.6	0.80 20.3	1.47 37.3	10.00 254.0	6.19 157.2	8.10 205.7	2.33 59.2
10 273	10.750 273.0	6.40 162.6	6.37 161.8	15.64 397.3	1.41 35.8	1.81 46.0	12.25 311.2	8.10 205.7	9.00 228.6	-
12 323.9	12.750 323.9	6.50 165.1	7.36 186.9	16.64 422.7	2.30 58.4	2.80 71.1	14.25 362.0	8.10 205.7	9.00 228.6	-

Performance:

The chart expresses the frictional resistance of Victaulic Series 705 Butterfly Valve in equivalent feet/ meters of straight pipe.

Nominal Size mm inches	Outside Diameter mm inches	Equivalent
		Feet/m of pipe
2 50	2.375 60.3	6 1.8
2½ 65	2.875 73.0	6 1.8
76.1 mm	3.000 76.1	6 1.8
3 80	3.500 88.9	7 2.1
4 100	4.500 114.3	8 2.4
108 mm	108 mm	8 2.4
5 125	5.563 141.3	12 3.7
133 mm	133 mm	12 3.7
139.7 mm	5.500 139.7	12 3.7
6 150	6.625 168.3	14 4.2
159 mm	159 mm	14 4.3
165.1 mm	6.500 165.1	14 4.2
8 200	8.625 219.1	16 4.9
10 250	10.750 273.0	18 5.5
12 300	12.750 323.9	19 5.8

Performance:

C_v values for flow of water at +60°F/+16°C through a fully open valve are shown in the table below. For additional details, contact Victaulic.

Formulas for C_v values

$\Delta P = Q^2 / C_v^2$

$Q = C_v \times \sqrt{\Delta P}$

Where:

Flow Coefficient	C_v
Q (Flow)	GPM
ΔP (Pressure Drop)	psi

Formulas for K_v values

$\Delta P = Q^2 / K_v^2$

$Q = K_v \times \sqrt{\Delta P}$

Where:

Flow Factor	K_v
Q (Flow)	m ³ /hr
ΔP (Pressure)	bar

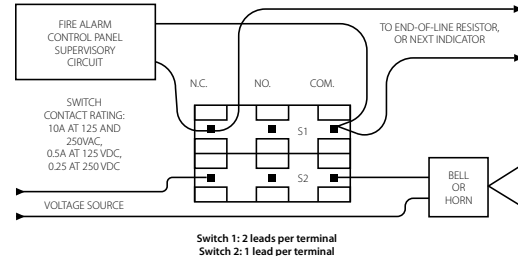
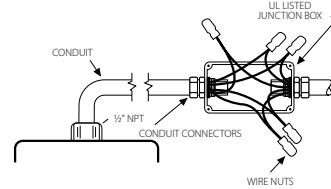
Valve Size		Full Open
Nominal Size	Actual Outside Diameter	Flow Coefficient
inches	inches	C_v
mm	mm	
2	2.375	170
50	60.3	
2½	2.875	260
65	73.0	
76.1 mm	3.000	260
	76.1	
3	3.500	440
80	88.9	
4	4.500	820
100	114.3	
108 mm	108 mm	820
5	5.563	1200
125	141.3	
133 mm	133 mm	1200
139.7 mm	5.500	1200
	139.7	
6	6.625	1800
150	168.3	
159 mm	159 mm	1800
165.1 mm	6.500	1800
	165.1	
8	8.625	3400
200	219.1	
10	10.750	5800
250	273.0	
12	12.750	9000
300	323.9	

Valve Size		Full Open
Nominal Size	Actual Outside Diameter	Flow Coefficient
inches	inches	K_v
mm	mm	
2	2.375	147
50	60.3	
2½	2.875	225
65	73.0	
76.1 mm	3.000	225
	76.1	
3	3.500	380
80	88.9	
4	4.500	710
100	114.3	
108 mm	108 mm	710
5	5.563	1040
125	141.3	
133 mm	133 mm	1040
139.7 mm	5.500	1040
	139.7	
6	6.625	1560
150	168.3	
159 mm	159 mm	1560
165.1 mm	6.500	1560
	165.1	
8	8.625	2940
200	219.1	
10	10.750	5020
250	273.0	
12	12.750	7790
300	323.9	

Switch and Wiring:

1. The supervisory switch contains two single pole, double throw, pre-wired switches.
2. Switches are rated:
 10 amps @ 125 or 250 VAC/60 Hz
 0.50 amps @ 125 VDC
 0.25 amps @ 250 VDC
3. Switches supervise the valve in the “OPEN” position.
5. One switch has two #18 insulated wires per terminal, which permit complete supervision of leads (refer to diagrams and notes below). The second switch has one #18 insulated wire per terminal. This double circuit provides flexibility to operate two electrical devices at separate locations, such as an indicating light and an audible alarm, in the area that the valve is installed.
6. A #14 insulated ground lead (green) is provided.
 Switch #1 = S1
 For connection to the supervisory circuit of a UL Listed alarm control panel
 Switch #2 = S2
 Auxiliary switch that may be connected to auxiliary devices, per the authority having jurisdiction

- S1 { Normally Closed: (2) Blue
 Common: (2) Yellow
- S2 { Normally Closed: Blue with Orange Stripe
 Normally Open: Brown with Orange Stripe
 Common: Yellow with Orange Stripe



NOTE: The above diagram shows a connection between the common terminal (yellow – S1 and yellow-with-orange stripe – S2) and the normally closed terminal (blue – S1 and blue-with-orange stripe – S2). In this example, the indicator light and alarm will stay on until the valve is fully open. When the valve is fully open, the indicator light and alarm will go out. Cap off any unused wires (e.g. brown with orange stripe).

Only S1 (two leads per terminal) may be connected to the fire alarm control panel.

The connection of the alarm switch wiring shall be in accordance with NFPA 72 and the auxiliary switch per NFPA 70 (NEC).

Installation

Reference should always be made to the [I-100 Victaulic Field Installation Handbook](#) for the product you are installing. Handbooks are included with each shipment of Victaulic products for complete installation and assembly data, and are available in PDF format on our website at www.victaulic.com.

Warranty

Refer to the Warranty section of the current Price List or contact Victaulic for details.

Note

This product shall be manufactured by Victaulic or to Victaulic specifications. All products to be installed in accordance with current Victaulic installation/assembly instructions. Victaulic reserves the right to change product specifications, designs and standard equipment without notice and without incurring obligations.

Trademarks

Victaulic® is a registered trademark of Victaulic Company.