



Magnaloy Products Catalog

North America's Favorite Source for
Fluid Power Accessories

QUICK INDEX:

Full Product Index i

Flexible Drive Couplings

Premium Line
PM 90 Coupling

1

Pump/Motor Mounts

General Information
Horizontal Mounts
Vertical Mounts
Engine Mounts
Welded Steel Mounts

2

Bar Manifolds

General Information
In-Line Bar Manifolds
Integrated Circuit Manifolds
Subplates
Cover Plates
Valve Adaptors
Manifold Accessories
Header Bar Manifolds
Junction Bar Manifolds

3

Reservoirs

General Information
Reservoirs
End Covers

4

Accessories

Filler Breathers
Reservoir Flanges
Channel Mounted Cushion Clamps
Modular Cushion Clamps
Suction Strainers
Tank Diffusers
Spin-On Filters
Tank Top Filters
Pressure Gauges
Liquid Level Gauges
SAE Couplings
Motor Dampening Bars
Motor Base Plates
Gauge Isolators
Pressure Switch
Modular O'Ring Kit

5

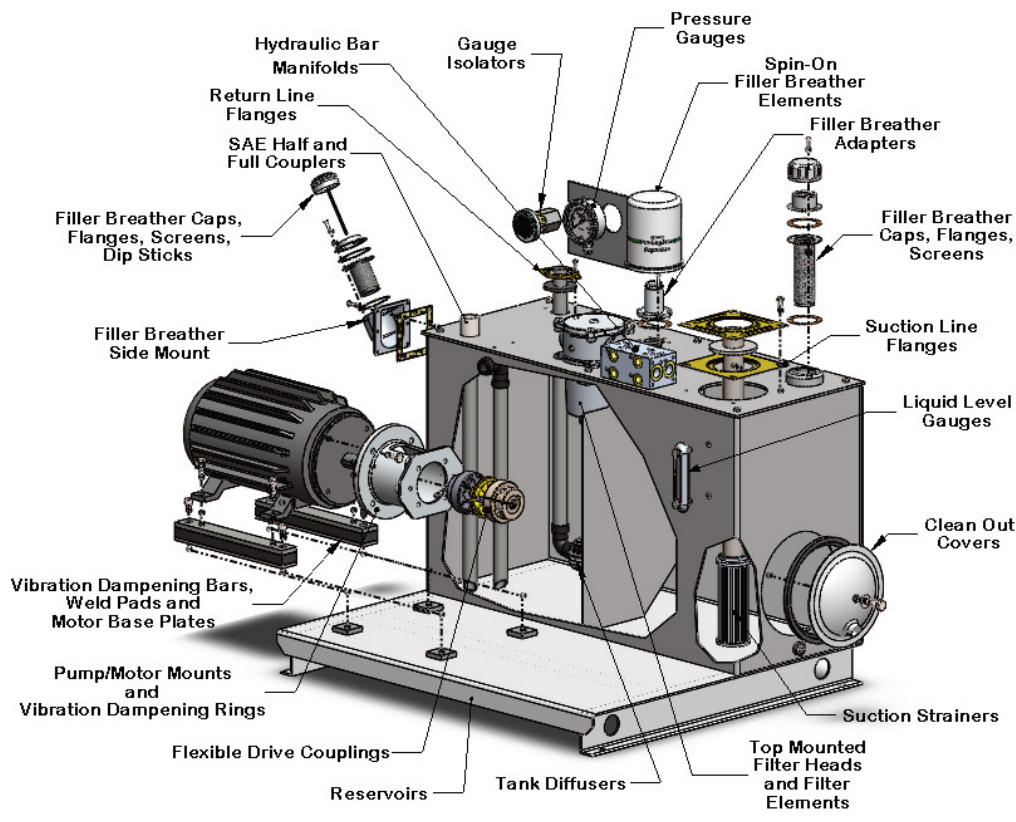
Rod Alignment Couplers

M Series
R Series

6

Reference Section

R



magnaloy coupling company 170 N Industrial Hwy. Alpena, MI 49707 989 356-2186

A Division of Douville Johnston Corporation Fax: 989 354-4190 <http://www.magnaloy.com>





Flexible Drive Couplings - SECTION 1

Premium Flexible Drive Couplings 3
PM90 Flexible Drive Coupling 13

Pump/Motor Mounts - SECTION 2

General Information 19
Horizontal Pump/Motor Mounts (NEMA Frame Motors). 20
Horizontal Pump/Motor Mounts (IEC Metric Frame Motors) 23
Vertical Pump/Motor Mounts 27
Pump/Engine Mounts 30
Horizontal Welded Steel Pump/Motor Mounts 33
Vertical Welded Steel Pump/Motor Mounts 36
Welded Steel Pump/Engine Mounts 39
Pump/Motor Mount Dampening Ring 42

Hydraulic Bar Manifolds - SECTION 3

General Information 46
In-line Bar Manifolds 47
Integrated Circuit Manifolds 72
Subplates 76
Cover Plates 85
Valve Adaptors 92
Manifold Accessories 97
 Orifice Plate 100
 Tapping Plate 102
Header Bar Manifolds 106
Junction Bar Manifolds 112

Reservoirs - SECTION 4

General Information 116
Vertical Reservoirs 117
Dual Vertical Reservoirs 122
JIC Reservoirs 124
L Shaped Reservoirs 126
T Shaped Reservoirs 130
Horizontal Reservoirs 132
DIN Style Reservoirs 134
Drip Pans 138
Stacking Modules 139
End Covers 140

Reservoir Accessories - SECTION 5

Filler Breather Adaptors 146
Filler Breathers 147
Reservoir Flanges 149
SAE Full and Half Couplings 152
Channel Mounted Cushion Clamps 153
Modular-Stackable Cushion Clamps 157
Suction Strainers 163
Tank Diffusers 165
Spin-On Filters 166
Tank Top Filters 168
Pressure Gauges 174
Gauge Isolators 176
Pressure Switches 177
Liquid Level Gauges 178
Motor Dampening Bars 180
Motor Base Plates 185
Modular O-Ring Kit 186

Cylinder Rod End Alignment Couplers - SECTION 6

M - Series Specifications 189
R - Series Specifications 191

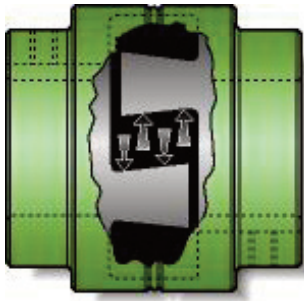
REFERENCE MATERIAL INDEX 194

SECTION 1

MAGNALOY FLEXIBLE DRIVE COUPLINGS

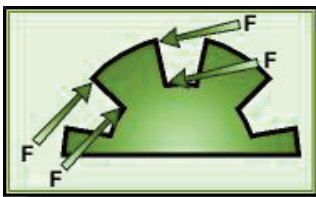
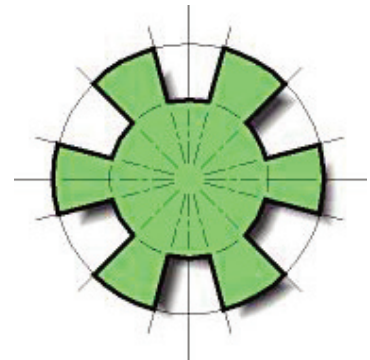


NOTE: Due to Magnaloy's policy of continuous improvement, specifications are subject to change without notice.
Check with the factory or our Web Site at www.magnaloy.com for the latest information.



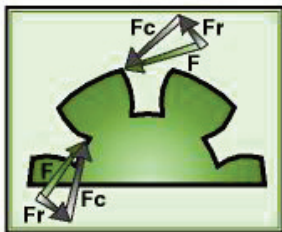
Load-Lock Design... is simple and effective. The drive lug configuration is tapered from top to base, as are the mating lugs of the opposing coupling hub. Under load, the insert conforms to the tapers, inter-locking the two hubs. This load-lock design protects bearings and equipment by eliminating end thrust in both directions.... and it requires only one set-screw in each hub.

1 Radial Lug Design... is logical and efficient. The most common failure of an elastomeric insert type drive coupling is hysteresis failure of the elastomeric element - breakdown of the elastomer due to cyclical overworking and the associated heat generation. Magnaloy Coupling's drive lugs are in a true radial orientation. Applied forces are evenly distributed in the compressive direction only, eliminating the heat generating radial component. True compressive loading reduces internal heat generation and improves elastomer life.



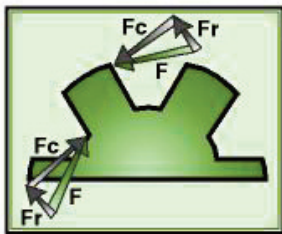
Magnaloy Coupling Design...

Under loaded conditions, the resultant forces applied on the element segments are evenly distributed in the compressive direction only. This results in no radial forces to multiply the internal heat generation.



Conventional Design A...

Under loaded conditions this jaw design results in the applied forces exerting components in the compressive and radial directions. These forces change direction and magnitude along the jaw arc which greatly increase the internal movement of the element which causes heat generation.



Conventional Design B...

This more conventional straight sided jaw design also exerts component forces in the compressive and radial directions when under load. The radial component is outward (acting to extrude the element) and changes in magnitude only, as does the compressive component, along the jaw surface. The component forces resulting from this design also causes increased internal movement in the element.

A note about Set-Screws ...

The Premium Line of Magnaloy Couplings comes standard with a single set-screw over the keyway. Optional **Double Set-Screws** are available at either 45° or 90° to the keyway. Double set-screws help improve shaft gripping forces by increasing the hoop-stresses generated from tightening a single set-screw. Double set-screws at 45° will produce greater forces than double set-screws at 90°. Either are available upon request by specifying 'DSS45' or 'DSS90' following the hub part number. M30011210DSS45

Magnaloy's Clamp feature is also available with bored and keyed hubs, specify 'C' following the hub part number. M30011210C



Magnaloy is the original lightweight, heavy-duty flexible drive coupling. Light weight magnesium construction makes Magnaloy couplings 76% lighter than cast iron and 36% lighter than aluminum units... and they're stronger than either!

The benefits are many... Reduced loads on bearings, shafts and pumps, for longer component life. Easier handling and installation. Rust proof and corrosion resistant.

Magnaloy's close machining tolerances (TIR of .002") assures vibration-free operation and easy, accurate alignment without need for special tools. Solid magnesium alloy permanent mold castings are heat treated and offer the highest strength-to-weight ratio available.

1

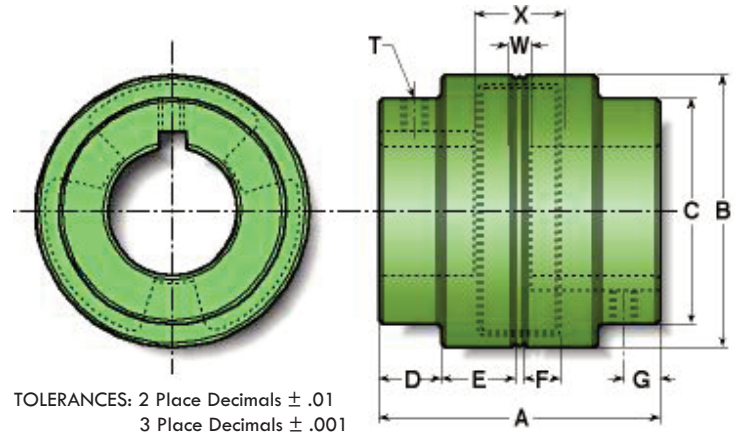
Coupling Performance Specifications

| Coupling Model | Maximum Bore | Wr ² lb-ft ² | Insert Number | Rated Torque lb-in | Torsional Rigidity lb-in/Deg | Horse Power Rating @ | | |
|----------------|--------------|------------------------------------|---------------|--------------------|------------------------------|----------------------|----------|----------|
| | | | | | | 100 rpm | 1200 rpm | 1800 rpm |
| 100 | 1 1/8 | 0.0046 | 170N | 340.7 | 42 | 0.55 | 6.5 | 9.8 |
| | | | 170U | 511.0 | 53 | 0.82 | 9.8 | 14.7 |
| | | | 170H | 1,022.1 | 182 | 1.65 | 19.8 | 29.7 |
| 200 | 1 3/8 | 0.0068 | 270N | 398.3 | 55 | 0.64 | 7.6 | 11.5 |
| | | | 270U | 597.4 | 68 | 0.96 | 11.5 | 17.2 |
| | | | 270H | 1,194.9 | 234 | 1.92 | 23.0 | 34.5 |
| 300 | 1 5/8 | 0.022 | 370N | 701.4 | 81 | 1.12 | 13.5 | 20.2 |
| | | | 370U | 1,052.1 | 148 | 1.68 | 20.2 | 30.3 |
| | | | 370H | 2,104.2 | 336 | 3.36 | 40.4 | 60.6 |
| 400 | 1 7/8 | 0.031 | 470N | 1,056.3 | 138 | 1.69 | 20.3 | 30.4 |
| | | | 470U | 1,584.5 | 310 | 2.50 | 30.4 | 45.6 |
| | | | 470H | 3,168.9 | 488 | 5.10 | 60.8 | 91.3 |
| 500 | 2 3/8 | 0.071 | 570N | 2,194.8 | 314 | 3.50 | 42.1 | 63.2 |
| | | | 570U | 3,292.2 | 695 | 5.30 | 63.2 | 94.8 |
| | | | 570H | 6,584.4 | 1,571 | 10.50 | 146.4 | 189.6 |
| 600 | 2 5/8 | 0.16 | 670N | 4,946.7 | 676 | 7.90 | 94.9 | 142.5 |
| | | | 670U | 7,420.1 | 1,510 | 11.90 | 142.5 | 213.7 |
| | | | 670H | 14,840.1 | 2,960 | 23.70 | 284.9 | 427.4 |
| 700 | 2 7/8 | 0.34 | 770N | 11,639.8 | 1,805 | 18.60 | 223.5 | 335.2 |
| | | | 770U | 17,459.7 | 2,104 | 27.90 | 335.2 | 502.8 |
| | | | 770H | 29,099.5 | 5,960 | 46.50 | 558.8 | 838.0 |
| 800 | 3 7/8 | 0.95 | 870N | 21,889.4 | 3,680 | 35.00 | 420.3 | 630.4 |
| | | | 870U | 32,834.1 | - | 52.50 | 630.4 | 945.6 |
| | | | 870H | 47,062.2 | 11,950 | 75.20 | 903.0 | 1,354.5 |
| 900 | 4 3/4 | 4.20 | 970N | 47,842.3 | 8,428 | 76.50 | 918.6 | 1,377.9 |
| | | | 970U | 71,763.5 | - | 114.80 | 1,377.9 | 2,066.8 |

Magnaloy Coupling Dimensional Specifications

Models 100, 200, 300, 400

| | 100 | 200 | 300 | 400 |
|---|--------|---------|---------|--------|
| A | 2.54 | 3.10 | 3.58 | 4.24 |
| B | 2.600 | 2.900 | 3.450 | 3.980 |
| C | 2.00 | 2.25 | 2.90 | 3.05 |
| D | 0.56 | 0.68 | 0.78 | 1.00 |
| E | 0.68 | 0.84 | 0.96 | 1.06 |
| F | 0.42 | 0.42 | 0.44 | 0.54 |
| G | 0.31 | 0.43 | 0.56 | 0.73 |
| W | 1/16 | 1/16 | 1/16 | 1/16 |
| X | 0.90 | 0.90 | 0.98 | 1.20 |
| T | 1/4-20 | 5/16-18 | 5/16-18 | 3/8-16 |



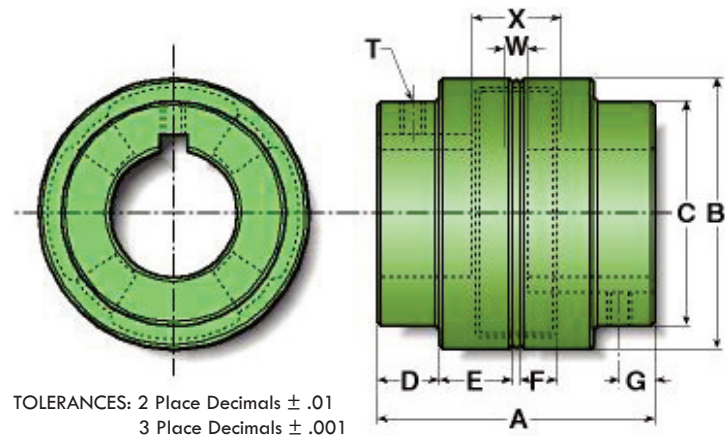
Model 500

| | 500 |
|---|--------|
| A | 4.67 |
| B | 4.800 |
| C | 4.00 |
| D | 1.04 |
| E | 1.23 |
| F | 0.64 |
| G | 0.70 |
| W | 1/16 |
| X | 1.41 |
| T | 3/8-16 |

X*: Maximum Space between shaft ends to allow full shaft engagement in Hub Bore.

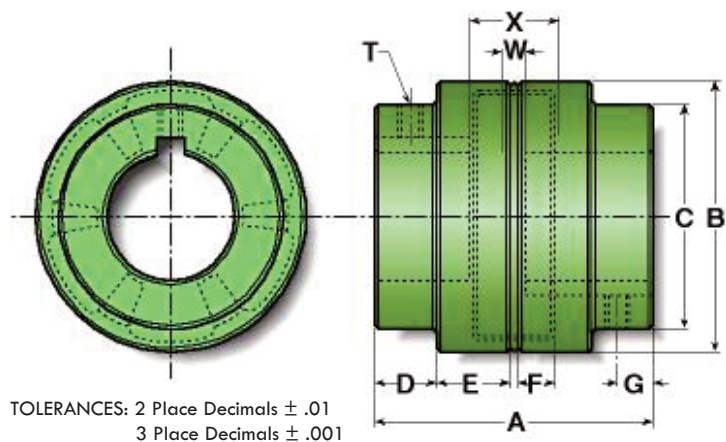
W*: Minimum Space between shaft ends.

* Given for reference only.



Models 600, 600, 800, 900

| | 600 | 700 | 800 | 900 |
|---|--------|--------|--------|--------|
| A | 5.98 | 6.99 | 7.99 | 10.15 |
| B | 5.975 | 6.900 | 8.600 | 11.400 |
| C | 4.50 | 5.19 | 7.00 | 8.30 |
| D | 1.60 | 2.08 | 2.25 | 2.75 |
| E | 1.33 | 1.32 | 1.62 | 2.20 |
| F | 0.62 | 0.89 | 1.00 | 1.32 |
| G | 1.13 | 1.13 | 1.58 | 1.88 |
| W | 1/16 | 1/16 | 1/16 | 1/16 |
| X | 1.36 | 1.97 | 2.25 | 2.89 |
| T | 3/8-16 | 1/2-13 | 1/2-13 | 3/4-10 |



Standard Bore and Keyway Combinations

| Magnaloy "Standard" Bore Key Combinations | | | | | | | | | | | | |
|---|---------------|--------|--------|-----|-----|-----|-----|-----|-----|-----|-----|-----|
| Model Code | Bore/Key Code | Model | | 100 | 200 | 300 | 400 | 500 | 600 | 700 | 800 | 900 |
| | | Bore | Key | | | | | | | | | |
| M ___ | 01203 | 3/8 | x 3/32 | * | * | | | | | | | |
| M ___ | 01403 | 7/16 | x 3/32 | * | * | | | | | | | |
| M ___ | 01404 | 7/16 | x 1/8 | * | * | | | | | | | |
| M ___ | 01604 | 1/2 | x 1/8 | * | * | * | | | | | | |
| M ___ | 01804 | 9/16 | x 1/8 | * | * | * | | | | | | |
| M ___ | 02005 | 5/8 | x 5/32 | * | * | * | | | | | | |
| M ___ | 02006 | 5/8 | x 3/16 | * | * | * | * | | | | | |
| M ___ | 02206 | 11/16 | x 3/16 | * | * | * | * | | | | | |
| M ___ | 02404 | 3/4 | x 1/8 | * | * | * | | | | | | |
| M ___ | 02406 | 3/4 | x 3/16 | * | * | * | * | * | | | | |
| M ___ | 02806 | 7/8 | x 3/16 | * | * | * | * | * | * | | | |
| M ___ | 02808 | 7/8 | x 1/4 | * | * | * | * | * | * | | | |
| M ___ | 03008 | 15/16 | x 1/4 | * | * | * | * | * | * | | | |
| M ___ | 10006 | 1 | x 3/16 | * | * | * | * | * | * | | | |
| M ___ | 10008 | 1 | x 1/4 | * | * | * | * | * | * | | | |
| M ___ | 10408 | 1 1/8 | x 1/4 | * | * | * | * | * | * | | | |
| M ___ | 10608 | 1 3/16 | x 1/4 | * | * | * | * | * | * | | | |
| M ___ | 10808 | 1 1/4 | x 1/4 | * | * | * | * | * | * | | | |
| M ___ | 10810 | 1 1/4 | x 5/16 | * | * | * | * | * | * | * | | |
| M ___ | 11210 | 1 3/8 | x 5/16 | * | * | * | * | * | * | * | | |
| M ___ | 11212 | 1 3/8 | x 3/8 | * | * | * | * | * | * | * | | |
| M ___ | 11412 | 1 7/16 | x 3/8 | * | * | * | * | * | * | * | | |
| M ___ | 11610 | 1 1/2 | x 5/16 | * | * | * | * | * | * | * | | |
| M ___ | 11612 | 1 1/2 | x 3/8 | * | * | * | * | * | * | * | * | |
| M ___ | 12012 | 1 5/8 | x 3/8 | * | * | * | * | * | * | * | * | * |
| M ___ | 12412 | 1 3/4 | x 3/8 | * | * | * | * | * | * | * | * | * |

| Magnaloy "Standard" Bore Key Combinations | | | | | | | | | | | | |
|---|---------------|---------|---------|-----|-----|-----|-----|-----|-----|-----|-----|-----|
| Model Code | Bore/Key Code | Model | | 100 | 200 | 300 | 400 | 500 | 600 | 700 | 800 | 900 |
| | | Bore | Key | | | | | | | | | |
| M ___ | 12414 | 1 3/4 | x 7/16 | | | | | * | * | * | * | * |
| M ___ | 12816 | 1 7/8 | x 1/2 | | | | | * | * | * | * | * |
| M ___ | 13016 | 1 15/16 | x 1/2 | | | | | * | * | * | * | * |
| M ___ | 20016 | 2 | x 1/2 | | | | | * | * | * | * | * |
| M ___ | 20416 | 2 1/8 | x 1/2 | | | | | * | * | * | * | * |
| M ___ | 20816 | 2 1/4 | x 1/2 | | | | | * | * | * | * | * |
| M ___ | 21220 | 2 3/8 | x 5/8 | | | | | * | * | * | * | * |
| M ___ | 21620 | 2 1/2 | x 5/8 | | | | | * | * | * | * | * |
| M ___ | 22020 | 2 5/8 | x 5/8 | | | | | * | * | * | * | * |
| M ___ | 22420 | 2 3/4 | x 5/8 | | | | | * | * | * | * | * |
| M ___ | 22824 | 2 7/8 | x 3/4 | | | | | * | * | * | * | * |
| M ___ | 30024 | 3 | x 3/4 | | | | | * | * | * | * | * |
| M ___ | 30824 | 3 1/4 | x 3/4 | | | | | * | * | * | * | * |
| M ___ | 31228 | 3 3/8 | x 7/8 | | | | | * | * | * | * | * |
| M ___ | 31628 | 3 1/2 | x 7/8 | | | | | * | * | * | * | * |
| M ___ | 32028 | 3 5/8 | x 7/8 | | | | | * | * | * | * | * |
| M ___ | 32428 | 3 3/4 | x 7/8 | | | | | * | * | * | * | * |
| M ___ | 32832 | 3 7/8 | x 1 | | | | | * | * | * | * | * |
| M ___ | 40032 | 4 | x 1 | | | | | * | * | * | * | * |
| M ___ | 40432 | 4 1/8 | x 1 | | | | | * | * | * | * | * |
| M ___ | 40832 | 4 1/4 | x 1 | | | | | * | * | * | * | * |
| M ___ | 41232 | 4 3/8 | x 1 | | | | | * | * | * | * | * |
| M ___ | 41632 | 4 1/2 | x 1 | | | | | * | * | * | * | * |
| M ___ | 41640 | 4 1/2 | x 1 1/4 | | | | | * | * | * | * | * |
| M ___ | 42040 | 4 5/8 | x 1 1/4 | | | | | * | * | * | * | * |
| M ___ | 42440 | 4 3/4 | x 1 1/4 | | | | | * | * | * | * | * |

1

Shaded Area: AGMA semi-standard bore key combinations.

Part Number Usage: Magnaloy Coupling Hub part numbers may be specified using the following format: Start with letter "M" designating Magnaloy, followed by 3 digit Model Code (100, 200, etc.), then the specific 5 digit Bore/Key Code.

Example: Model 500 Hub with a 1 /38 bore and 5/16 keyway would be specified as: M50011210 - No bore hubs are designated as "R" code, ie. M500R.

Bore Tolerances

| Over | Include | Tolerance |
|------|---------|---------------|
| -- | 1 | +0.008/+0.003 |
| 1 | 2 | +0.013/+0.005 |
| 2 | 3 | +0.018/+0.008 |
| 3 | 4 | +0.020/+0.010 |
| 4 | 5 | +0.023/+0.010 |

Additional Coupling Specifications

| Model Number | 100 | 200 | 300 | 400 | 500 | 600 | 700 | 800 | 900 |
|--|-------|-------|-------|-------|-------|-------|-------|-------|-------|
| Maximum Bore | 1 1/8 | 1 3/8 | 1 5/8 | 1 7/8 | 2 3/8 | 2 5/8 | 2 7/8 | 3 7/8 | 4 3/4 |
| Complete Coupling Approx. Weight (Solid Hub) | 3/4 | 1 | 2 | 3 | 4 | 7 | 12 | 18 | 38 |
| Number of Drive Lugs | 3 | 3 | 3 | 3 | 4 | 6 | 6 | 6 | 6 |
| Hub Movement for Insert Removal | .74 | .74 | .75 | .98 | 1.12 | 1.02 | 1.50 | 1.63 | 2.27 |
| Basic Insert Number | 170 | 270 | 370 | 470 | 570 | 670 | 770 | 870 | 970 |



Magnaloy Couplings are available with a variety of special features which include splined bores. The “Splined Coupling Specifications” chart on page 6 shows several “In-house” splines available for quick delivery. Many additional splined bores are available by contacting the factory, including straight sided “PTO” type splines and metric splines.



The Clamp-Type Coupling utilized the basic Magnaloy coupling with the addition of the clamp feature. Developed to compensate for variations in spline formation methods and tolerances. Assures centering of the coupling and positive retention on the shaft. The clamp feature is suggested for all splined couplings, but is also available in smooth bored and keyed models.



Magnaloy’s Steel Bushed Splined Bore* Coupling combines all the design and lightweight features of the Magnaloy Coupling with the added spline tooth strength and wear resistance of steel. Under normal conditions the standard “Splined Bore” coupling will perform satisfactorily and the addition of the “Clamp Feature” compensates for various fit conditions. When heavy cyclic loads, reverse loading and high torque loads exist in combination with fit variations, spline tooth failures and fretting can be corrected by utilizing Magnaloy’s steel bushed coupling. Of course, to achieve optimum benefits, Magnaloy’s clamp feature is recommended - assuring accurate centering and positive retention of the coupling on the shaft.

* Although the steel bushing feature was designed primarily for spline bores, it is also available in smooth bored and keyed sizes.

Spline Coupling Specifications

| Spline Size | | | Pressure Angle (Degrees) | SAE Designation | Major Diameter (Inches) | Std Coupling Available Model Sizes | Steel Bushed Coupling | |
|-----------------|-------------|-------------|--------------------------|-----------------|-------------------------|------------------------------------|-----------------------|-----------------------|
| Number of Teeth | Pitch Ratio | Spline Code | | | | | Bushing Diameter | Available Model Sizes |
| 9 | 16/32 | 0916 | 30° | A | 0.625 | 100 - 900 | 1.250 | 200 - 600 |
| 13 | 8/16 | 1308 | 30° | D, E | 1.750 | 400 - 900 | 2.625 | 600 - 900 |
| 13 | 16/32 | 1316 | 30° | B | 0.875 | 100 - 900 | 1.500 | 300 - 800 |
| 14 | 12/24 | 1412 | 30° | C | 1.250 | 200 - 900 | 2.250 | 500 - 900 |
| 15 | 8/16 | 1508 | 30° | F | 2.000 | 500 - 900 | 3.500 | 800 - 900 |
| 15 | 16/32 | 1516 | 30° | BB | 1.000 | 100 - 900 | 1.750 | 400 - 800 |
| 17 | 12/24 | 1712 | 30° | CC | 1.500 | 300 - 900 | 2.250 | 500 - 900 |
| 21 | 16/32 | 2116 | 30° | | 1.375 | 300 - 900 | 2.250 | 500 - 900 |
| 23 | 16/32 | 2316 | 30° | | 1.500 | 300 - 900 | 2.250 ¹ | 500 - 900 |
| 27 | 16/32 | 2716 | 30° | | 1.750 | 400 - 900 | 2.625 ² | 600 - 900 |
| 40 | 16/32 | 4016 | 30° | | 2.562 | 600 - 900 | 3.875 | 800 - 900 |

Note: 1 - With Model 600 - 900, Bushing O.D. is 2.625.

2 - With Model 700 & 800, Bushing O.D. is 2.875.

Spline Type Identifier Code: A = Spline, B = Steel Bushing

Clamp Type Code: C = Clamp Type.

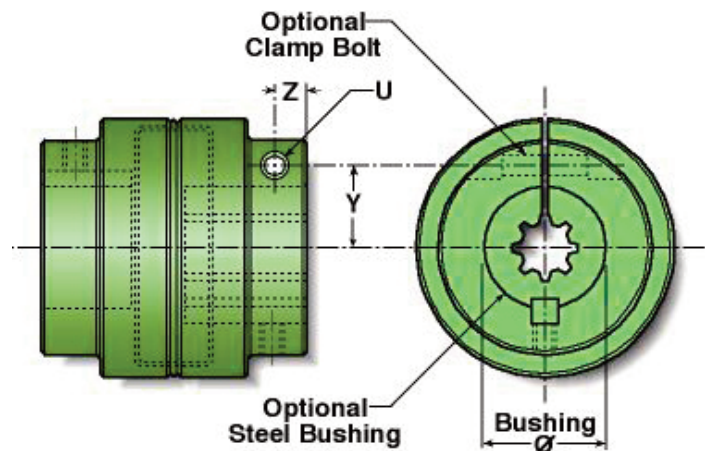
Part Number Usage: Magnaloy Splined Coupling part numbers may be specified using the following format: Start with letter "M" designating Magnaloy, follow with 3 digit Model Code (100, 200, etc.), next use a single letter Spline Type Identifier Code ("A" for regular spline or "B" for steel bushing), then the specific 4 digit Spline Code. If a clamp type coupling is desired, use the letter code "C" after the Spline Code.

Examples: Model 300 hub with 13 tooth 16/32 splined bore: M300A1316. Same item with steel bushing: M300B1316. Same item with steel bushing and clamp: M300B1316C.

Clamp Type Coupling Specifications

| Coupling Model | Bolt Location | | U | |
|----------------|---------------|------|-----------|----------------|
| | Z | Y | Bolt Size | Torque Spec. |
| 100 | 0.31 | 0.68 | 1/4 - 20 | 130-140 in lbs |
| 200 | 0.43 | 0.75 | 1/4 - 20 | 130-140 in lbs |
| 300 | 0.47 | 0.95 | 5/16 - 18 | 210-220 in lbs |
| 400 | 0.69 | 0106 | 5/16 - 18 | 210-220 in lbs |
| 500 | 0.72 | 1.25 | 3/8 - 16 | 300-310 in lbs |
| 600 | 1.13 | 1.50 | 7/16 - 14 | 35-36 ft lbs |
| 700 | 1.13 | 1.75 | 7/16 - 14 | 35-36 ft lbs |
| 800 | 1.30 | 2.56 | 1/2 - 13 | 49-50 ft lbs |
| 900* | 0.75 & 2.19 | 3.00 | 3/4 - 10 | 100-110 ft lbs |

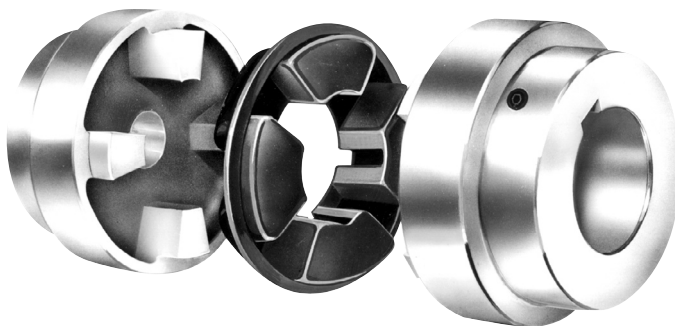
* Model 900 utilizes two bolt clamp design.



Magnaloy Coupling's full range of flexible inserts permit custom design performance for a wide range of applications. All insert materials offer complete electrical insulation, as Magnaloy's design eliminates all metal-to-metal contact.



1



Part Number Usage: Magnaloy Coupling Insert part numbers may be specified using the following format: Start with the letter "M" for Magnaloy, followed by the 3 digit Basic Insert Number Code (170, 270, etc.), then the specific single letter Insert Material Code. If an optional durometer is being specified, after the Material Code supply the durometer number divided by 10.

Examples: Urethane insert for Model 300: M370U. 80 Durometer Neoprene for Model 200: M270N8.

Neoprene (Code N) - Black material - Standard material with Magnaloy Coupling. Good general purpose material offering good resiliency and load capabilities. Temp range -30°F to +250°F (-34°C to +121°C). Optional 80A durometer (painted Gold) and 90A durometer (painted Silver) are available for slight increased load capability and less resiliency.

Nitrile (Buna N)(Code B) - Painted Blue. Excellent material with petroleum products. Excellent compression set and abrasion resistance characteristics. Temp range -60°F to +250°F (-51°C to +121°C).

Urethane (Code U) - Yellow material. Excellent mechanical and physical properties. Offers good medium duty durability and resiliency. Urethane tends to soften at higher temperatures and humid conditions. Temp range -30°F to +150°F (-34°C to +66°C).

Viton (Fluorocarbon)(Code V) - Red material. Excellent fluid compatibility and high temperature characteristics. Good compression set and resiliency. Temp range -20°F to +350°F (-29°C to +177°C).

Hytrel (Code H) - Blue material. Superior physical and mechanical properties and excellent fluid compatibility and high temperature characteristics. Hardness (50D) approaches that of plastic and offers little resiliency. Excellent performance under heavy duty conditions. Temp range -65°F to +300°F (-54°C to +149°C).

Other materials are available for special applications. Consult factory for recommendations and availability.

Service Factors - Load Characteristics

| Load Classification | Type of Prime Mover | | | |
|---------------------|---------------------------|-------------------|----------------------------|------------------------------|
| | Standard Motor or Turbine | High Torque Motor | I.C. Engine 6 or more cyl. | I.C. Engine less than 6 cyl. |
| Uniform (U) | 1.0 | 1.5 | 1.5 | 2.0* |
| Moderate (M) | 1.5 | 2.0 | 2.0 | 2.5* |
| Heavy (H) | 2.0* | 2.5* | 2.5* | 3.0* |

Uniform Load: Steady loading, non-reversing, torque does not exceed rating.

Moderate Load: Uneven loading with moderate shock, frequent starts, infrequent reversals, peak torque may exceed average rating of prime mover by up to 125%.

Heavy Load: Uneven loading with heavy shock, frequent reversals, peak torque may exceed average rating of prime mover by up to 150%.

* Recommend use of Hytrel Insert.

| Drive Unit | Load Sym. |
|-------------------------------|-----------|
| Agitators | U |
| Blowers | U |
| Compressors - Centrifugal | U |
| - Rotary | M |
| - Reciprocating | H* |
| Conveyors - | U |
| - Reciprocating | M |
| - Screw | M |
| - Shaker | H |
| Cranes & Hoists | M |
| Crushers | H* |
| Elevators | M |
| - Freight & Pass. | H* |
| Fans - Centrifugal | U |
| - Propeller | M |
| - Cooling Tower | H |
| Generators - Welding | H |
| Mills | H* |
| Machine Tools | M |
| Mixers | M |
| Paper Mill Machinery | M |
| Pumps - Centrifugal | U |
| - Rotary | M |
| - Reciprocating | H* |
| - On Injection Molding Equip. | H* |
| Screens - Air & Water Washing | U |
| - Freight & Pass. | H |
| Stokers | U |
| Textile Machinery | M |
| Woodworking Machinery | M |
| Winches | H* |

| Selection Method |
|--|
| <p>1. Several specifics must be considered to make the best choice of couplings:</p> <ul style="list-style-type: none"> A. Type of prime mover and load characteristics (see table above) B. Shaft diameter and key size or spline configuration (No. of teeth, pitch ratio, pressure angle) C. Horsepower rating of loads to be transmitted. D. Maximum operating speed (rpm) E. Maximum operating misalignment F. Clearance limitations <p>2. Calculate effective hp/100 rpm by use of table above and select the minimum size coupling recommended</p> <p>3. VERIFY YOUR SELECTION:</p> <ul style="list-style-type: none"> A. Check for maximum bore size B. Check dimensions for adequate clearance C. Indicate any special insert specification and/or coupling coating for environmental protection, if required <p>Equation: Effective HP per 100 RPM = rated HP x Service Factor x 100 / RPM</p> <p>Example: 150 HP, 4 cyl. Diesel Engine Driving a Reciprocating Irrigation Pump operating at 3250 RPM Service Factor - 3.0 (Hytrel Insert Recommended) Eff. HP per 100 RPM = 150 HP x 3.0 x 100 / 3250 RPM = 13.85 HP/100 RPM. Model 600 rating with Hytrel Insert is 23.7 HP/100 RPM.</p> |

Note: Above service factors are intended for use as a general guide only.

*Recommend use of Steel Bushing and Clamp with Splined Bores.



1

Shaft spacing should be within range given by dimensions 'W' and 'X' as shown in charts on page 4.

Position each hub on proper size shaft - Magnaloy couplings are bored to standard "push fit" tolerances, if a tight fit exists, check shaft for burrs.

Maximum benefits are obtained with hubs positioned to allow complete shaft engagement within bore. However, some equipment designs do not permit this condition - maximum shaft engagement should be utilized in any case.

Alignment - Place a straight edge (scale) at top and side of coupling. Use a .005 inch feeler gauge under scale for final inspection. This will indicate accurate parallel and angular alignment.

Magnaloy's precision machined outside surfaces permit this simple, but accurate alignment method.



Secure equipment mounts and recheck alignment for movement.

Install the insert in the coupling positioning hubs in contact with lip around outside of insert.

Before tightening set screws, run the coupling and check for separation of hubs or "creep". Recheck alignment and tighten set screws.

With the Steel Bushed/Clamp type couplings, to facilitate installation on the shaft, it may be necessary to slightly loosen the set-screw over the keystone. When securing the coupling on the shaft, first tighten the clamp bolt, then tighten the set-screw against the keystone.

Mis-Alignment Capabilities

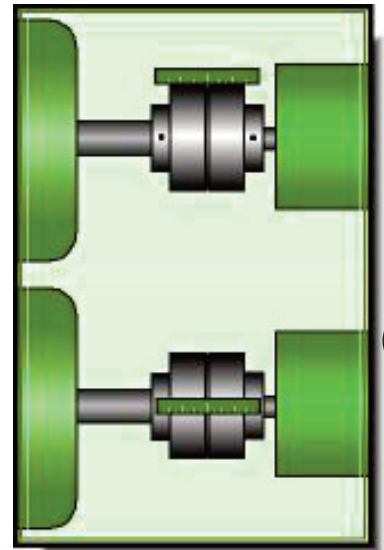


Magnaloy Couplings offer four-way flexibility (parallel, angular, axial and torsional) and require no lubrication. They are easily installed and properly aligned without use of special tools or equipment - a straight edge and hex wrench are the only tools required. Magnaloy's insert reduces noise and vibration and permits needed flexibility for proper operation within alignment capabilities.

Recommended Torques for Fasteners

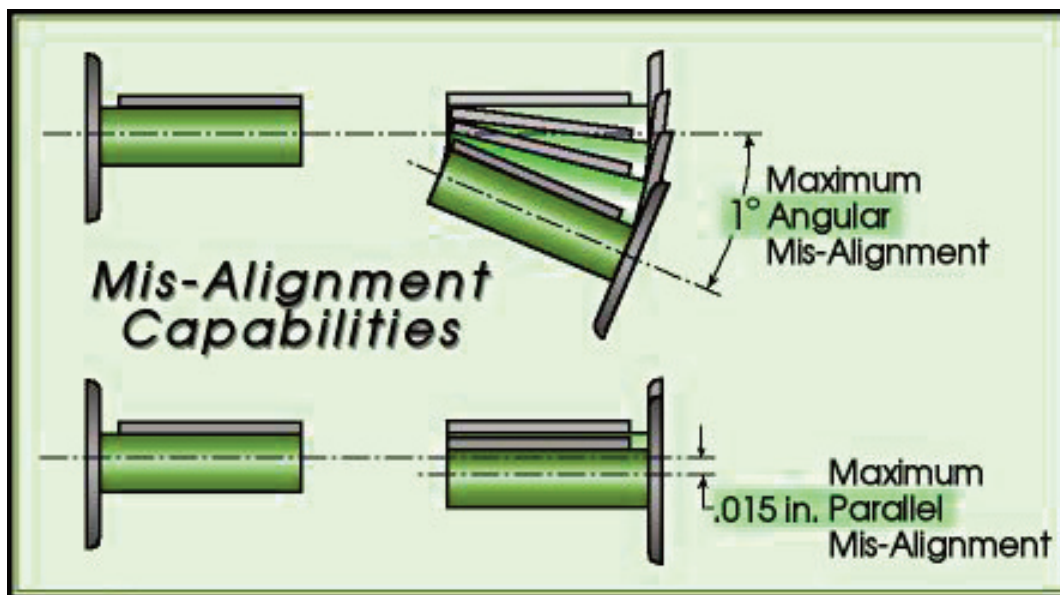
| Model | Set Screw | Clamp Screw |
|-------|------------------|------------------|
| 100 | 60 - 70 in lbs | 130 - 140 in lbs |
| 200 | 75 - 85 in lbs | 130 - 140 in lbs |
| 300 | 75 - 85 in lbs | 210 - 220 in lbs |
| 400 | 190 - 200 in lbs | 210 - 220 in lbs |
| 500 | 190 - 200 in lbs | 300 - 310 in lbs |
| 600 | 190 - 200 in lbs | 35 - 36 ft lbs |
| 700 | 300 - 310 in lbs | 35 - 36 ft lbs |
| 800 | 300 - 310 in lbs | 49 - 50 ft lbs |
| 900 | 100 - 110 ft lbs | 100 - 110 ft lbs |

Intended as a general guide for fastener torques with Magnaloy Couplings.



1

Perfect alignment of equipment shafts, in most cases, is impractical to obtain or maintain, and misaligned equipment produces excess stress on bearings and the coupling. Magnaloy's insert design will accept misalignment strain and, when excessive, will cause insert wear as a visual and audible indication of misalignment problems. However, Magnaloy's inserts are inexpensive and easily replaced; under normal conditions the insert seldom requires replacement.



Keystock Interference with Drive Lug

Since the Magnaloy Coupling keyway, in a bored and keyed hub, is broached between the drive lugs, there is a potential for interference with the keystock of the drive hub and the drive lugs of the opposing hub. This interference will result when ALL the following conditions exist:

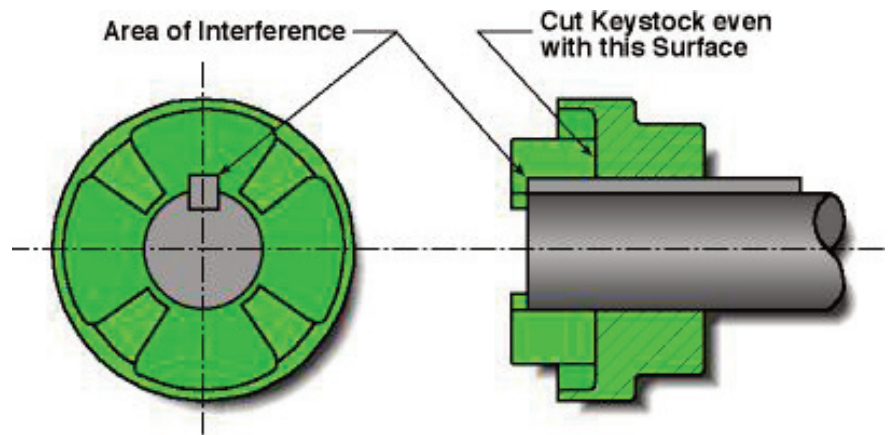
- A) The shaft diameter is Greater than listed below
- B) This shaft extends into the hub insert core area
- C) The keystock on this shaft extends with the shaft into the insert core area

1

The interference condition can be corrected by shortening the keystock so it does not extend into the insert core area. The keystock length should be limited to the length of the coupling hub bore.

Interference Potential exists when shaft diameters are greater than shown in this chart.

| Model Size | Shaft Diameter | Key Size |
|------------|----------------|----------|
| 100 | 7/8 | 1/4 |
| 200 | 1 3/16 | 1/4 |
| 300 | 1 5/16 | 5/16 |
| 400 | 1 1/2 | 3/8 |
| 500 | 1 15/16 | 1/2 |
| 600 | 2 1/2 | 5/8 |
| 700 | 2 3/4 | 5/8 |
| 800 | 3 1/2 | 7/8 |
| 900 | 4 1/2 | 1 1/4 |



Failure to correct this condition will result in assembly difficulty and could cause damage to the drive or driven equipment. Check our web site at www.magnaloy.com for other bulletins.

Notes

Powdered Metal PM90 Coupling



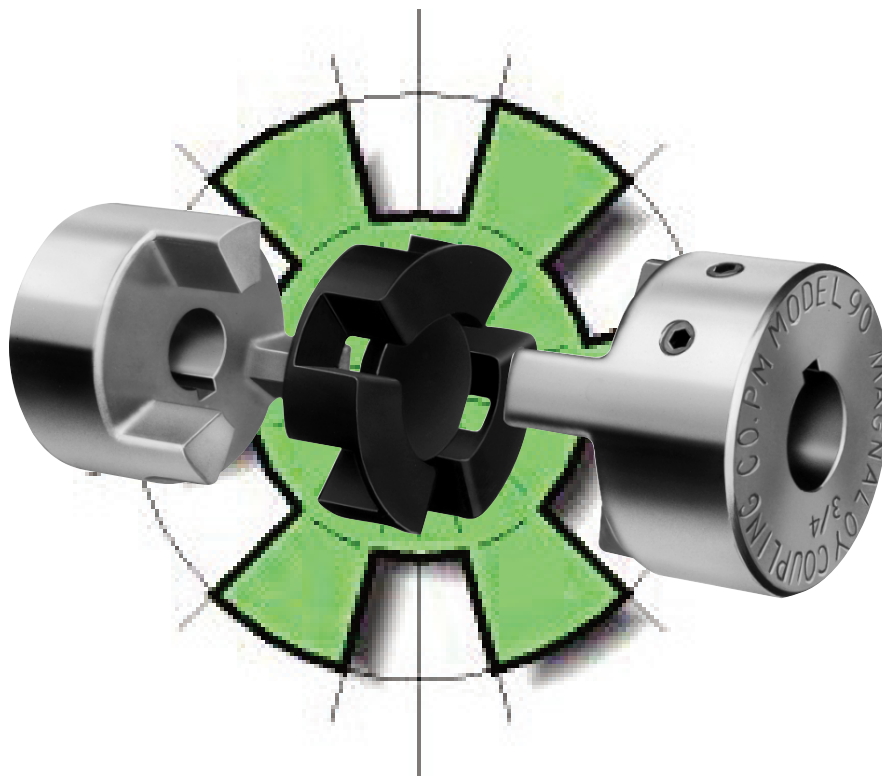
The Strong, High Quality, Low Cost Powdered Metal Coupling from Magnaloy

When your priorities for a coupling are economy and strength... specify the all-new Magnaloy Type PM90.

The PM90 is made from high-density powdered metal and is available in standard bores up to 1 1/8 inch maximum. Double set screws are standard in all bores 1/2 inch and over. The set screws are placed over the keyway and at a 45° angle to the keyway to allow greater hoop-stress generation and maximum shaft gripping. The increased drive lug surface area on the PM90 provides low unit loads on the insert drive segments while insuring more rapid heat dissipation. Magnaloy's exclusive insert design allows easy installation and replacement without hub removal. The drive lug design provides even compressive loading with no radial loading of insert drive elements.



1

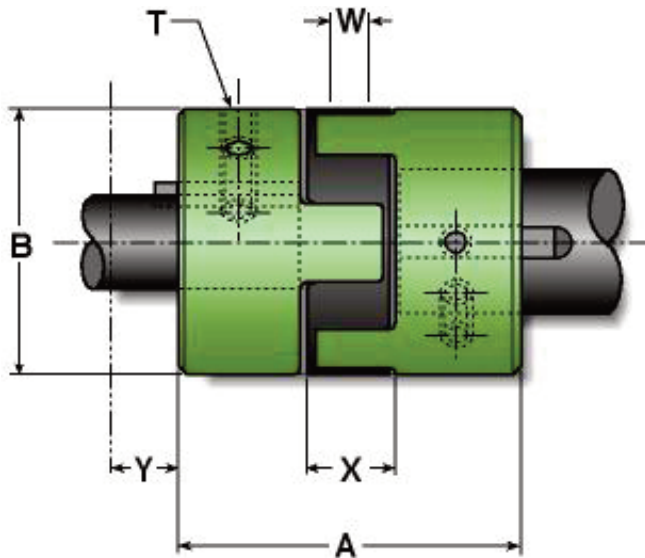


It is a well established fact that the major cause of failure in an elastomeric insert type drive coupling is hysteresis failure which results from overworking the insert by application of cyclic loads and the associated heat generation. These cyclic loads can be internal in origin as a result of coupling design (see page 2) and when coupled with externally applied loads can greatly reduce elastomer life. Specifying Magnaloy's Type PM Coupling with radial designed drive lugs results in true compressive loads and improved insert life.

Model PM90 Performance Specifications

| Maximum Bore | Minimum Bore | Insert Number | Torque Rating (in lb) | HP Rating per 100 RPM | Torsional Rigidity (in lb/deg) | Complete Coupling Approx Weight (lb) | | Wr ² (lb ft ²) (solid) |
|--------------|--------------|---------------|-----------------------|-----------------------|--------------------------------|--------------------------------------|----------|---|
| | | | | | | Solid | Max Bore | |
| 1 1/8 | 7/16 | P097N7 | 224 | 0.36 | 38.3 | 1.8 | 1.3 | 0.946 |
| | | P097U9 | 336 | 0.54 | 69.9 | | | |
| | | P097H5 | 672 | 1.08 | 158.7 | | | |

1 Model PM90 Dimensional Specifications



| | |
|------------|---|
| A - | Over all length (Assembled) - 2.78 |
| B - | Outside Diameter - 2.125 |
| T - | Set Screw Size - 1/4-20 UNC, 2 places |
| W - | Distance between shaft ends - 3/16 min |
| X - | Distance between shaft ends - 3/4 max |
| Y - | Hub movement required for insert removal - 1.20 total |

| Notes | | | | | | | | | | | | | |
|-------|--|--|--|--|--|--|--|--|--|--|--|--|--|
| | | | | | | | | | | | | | |
| | | | | | | | | | | | | | |
| | | | | | | | | | | | | | |
| | | | | | | | | | | | | | |
| | | | | | | | | | | | | | |
| | | | | | | | | | | | | | |
| | | | | | | | | | | | | | |
| | | | | | | | | | | | | | |
| | | | | | | | | | | | | | |
| | | | | | | | | | | | | | |
| | | | | | | | | | | | | | |
| | | | | | | | | | | | | | |
| | | | | | | | | | | | | | |
| | | | | | | | | | | | | | |
| | | | | | | | | | | | | | |
| | | | | | | | | | | | | | |
| | | | | | | | | | | | | | |
| | | | | | | | | | | | | | |

Model PM90 - Standard Bore / Keyway Sizes (per AGMA Class 1, Clearance Fit)

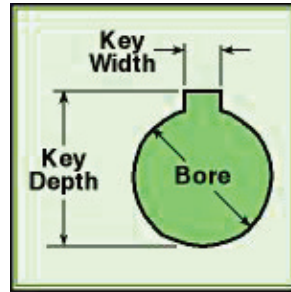
| Part Number | Bore & Keyway Combinations | Bore Size** | Key Width | Key Depth | Set Screw | |
|-------------|----------------------------|-----------------|-----------------|---------------|------------|----------|
| | | | | | Size | Quantity |
| P090014N | 7/16 x No Key | 0.4375 / 0.4385 | 0.0938 / 0.0958 | - | 1/4-20 UNC | 1 |
| P09001403 | 7/16 x 3/32 | 0.4375 / 0.4385 | 0.125 / 0.127 | 0.484 / 0.495 | 1/4-20 UNC | 1 |
| P09001404 | 7/16 x 1/8 | 0.4375 / 0.4385 | 0.125 / 0.127 | 0.496 / 0.507 | 1/4-20 UNC | 2 |
| P09001604 | 1/2 x 1/8 | 0.500 / 0.501 | 0.125 / 0.127 | 0.560 / 0.571 | 1/4-20 UNC | 2 |
| P09001804 | 9/16 x 1/8 | 0.5625 / 0.5635 | 0.125 / 0.127 | 0.623 / 0.634 | 1/4-20 UNC | 2 |
| P09002005 | 5/8 x 5/32 | 0.625 / 0.626 | 0.1562 / 0.1582 | 0.698 / 0.709 | 1/4-20 UNC | 2 |
| P09002006 | 5/8 x 3/16 | 0.625 / 0.626 | 0.1875 / 0.1895 | 0.709 / 0.720 | 1/4-20 UNC | 2 |
| P09002206 | 11/16 x 3/16 | 0.6875 / 0.6885 | 0.1875 / 0.1895 | 0.773 / 0.784 | 1/4-20 UNC | 2 |
| P09002404 | 3/4 x 1/8 | 0.750 / 0.751 | 0.125 / 0.127 | 0.812 / 0.823 | 1/4-20 UNC | 2 |
| P09002406 | 3/4 x 3/16 | 0.750 / 0.751 | 0.1875 / 0.1895 | 0.837 / 0.848 | 1/4-20 UNC | 2 |
| P09002806 | 7/8 x 3/16 | 0.875 / 0.876 | 0.1875 / 0.1895 | 0.964 / 0.975 | 1/4-20 UNC | 2 |
| P09002808 | 7/8 x 1/4 | 0.875 / 0.876 | 0.250 / 0.252 | 0.982 / 0.993 | 1/4-20 UNC | 2 |
| P09010006 | 1 x 3/16 | 1.000 / 1.001 | 0.1875 / 0.1895 | 1.090 / 1.101 | 1/4-20 UNC | 2 |
| P09010008 | 1 x 1/4 | 1.000 / 1.001 | 0.250 / 0.252 | 1.114 / 1.125 | 1/4-20 UNC | 2 |
| P09010408 | 1 1/8 x 1/4 | 1.125 / 1.126 | 0.205 / 0.252 | 1.241 / 1.252 | 1/4-20 UNC | 2 |

1

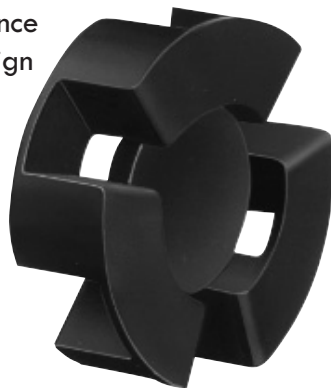
* Shaded combinations are Semi-special - see price sheet
 ** Other Bore/Keyway combinations are available. Consult factory for quotation.

Model PM90 Bore Tolerances

| Feature | Tolerance |
|-----------|---------------|
| Bore | -.000 / +.001 |
| Key Width | -.000 / +.002 |
| Key Depth | +.005 / +.016 |



As with Magnaloy's standard line of couplings, insert elastomer selection allows variable performance characteristics. Insert design eliminates metal-to-metal contact and assures electrical isolation of shafts.



Nitrile, 70A Durometer....

Standard elastomer material offering excellent resistance to petroleum products and superior compression set characteristics.

Urethane, 90A Durometer....

Excellent mechanical and physical properties. *Note:* Urethane material tends to soften when exposed to elevated temperatures or humid conditions.

Hytrel, 50D Durometer....

Superior mechanical and physical properties and offers excellent fluid compatibility and high temperature characteristics.

Additional insert materials available upon request from factory. See page 8 for additional information on insert selection.

Make the Connection with magnaloy

Whatever your Fluid Power Unit needs,
magnaloy has the products
to keep you connected.



Flexible Drive Couplings

Top-of-the-line magnesium couplings are lighter, yet stronger than either cast iron or aluminum. They also offer better corrosion resistance and easier handling.



Magnaloy Hydraulic Bar Manifolds & Accessories

Complete line of inline Bar Manifolds, Subplates, Cover Plates, Valve Adaptors, Integrated Circuit Manifolds, and Accessories to make the design and fabrication of Hydraulic Circuitry simple and easy. Wide range of sizes include: D03, D05, D05H & D08 in aluminum and steel with ports available in SAE, NPTF, BSPP, and BSPT styles. Custom design and fabrication also available, consult factory.

Accessories

Filler Breather Adaptors, Filler Breathers, Reservoir Flanges, Suction Strainers, Gauge Isolators, Liquid Level Gauges, Modular O-Ring Kits.



Pump/Motor Mounts

Precision machined aluminum & custom steel pump/motor mounts directly connect the motor and pump while ensuring accurate shaft alignment and enclosing the coupling. Vertical and horizontal models readily available from stock.



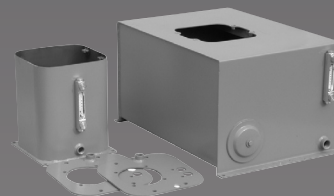
Rod End Couplers

Two models of accurately machined high tensile cylinder rod end alignment couplers offer 7° or 10° spherical and 1/8" parallel misalignment capabilities.



PM 90 Couplings

Economical PM-90 Iron Powder Couplings have long lasting nitrile, hytel or urethane inserts. Double set screws give excellent gripping power.



Magnaloy Reservoirs & Reservoir Accessories

Magnaloy offers a complete line of standard reservoirs and reservoir accessories. In addition, we offer custom reservoir fabrication to meet our customer specific needs. Reservoirs accessories such as Clean Out Covers and SAE Couplings are available for the "do-it-yourself" reservoir manufacturer

For a Free Catalog of any
of these fine products call
or visit us on-line.



Magnaloy Pressure Switch

Pressure Sensing switch capable of sensing up to three (3) separate pressures. Each sensor is externally independently adjustable from 200 to 4000 psi. Viton seals provide wide fluid compatibility range.