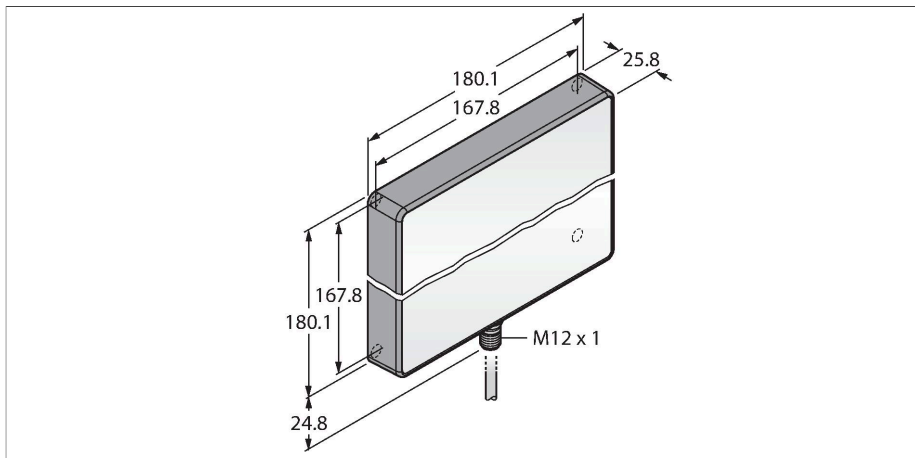


WLAW190X180

Work Light – Area Light



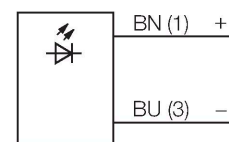
Technical data

Type	WLAW190X180
ID	3017611
Signal and display data	
Purpose	LED work light
Function	Area light
Light type	White
Color temperature	5300...+7000 K
Luminous flux lumen	1100 lm
Aperture angle degree	60 °
LED service life (L70)	50000 h
Dimmable	no
Features of color 1	White, Permanently on, 1100 lm
Special features	Wash down
Electrical data	
Operating voltage	12...30 VDC
DC rated operational current	≤ 800 mA
Input power	19.2 W
Mechanical data	
Cascadable	No
Design	Rectangular, WLA
Dimensions	184.9 x 180.1 x 25.8 mm
Housing material	Plastic, PBT, Grey
Window material	Acrylic, clear
Electrical connection	Cable, 2 m, PVC
Number of cores	2
Ambient temperature	-20...+50 °C

Features

- Protection classes IP67/IP69K
- Operating voltage: 12...30 VDC
- Color: Cold white
- Illuminance at 1 m: 430 lx
- Cable, 2m

Wiring diagram



Functional principle

The energy-efficient LED work lights are ideally suited for industrial applications. The color temperature lies in the range of daylight, between 5,300 and 7000 Kelvin. Depending on the model, the luminous flux ranges between 550 and 2200 lumen. The lights are available on request in the colors warm white, green, red, yellow or blue as well as with different lenses that change the opening angle. Both also affects the luminous flux and the luminous intensity. The electrical connection is either established via standard M12 × 1 connector or pigtail directly at the terminal connection of existing installations.

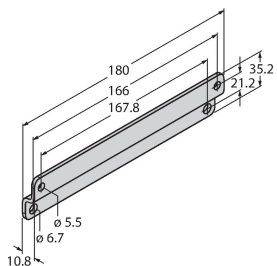
Technical data

Storage temperature	-40...+70 °C
Relative humidity	0...95 %
Protection class	IP67 IP69
Tests/approvals	
Approvals	CE, cULus

Accessories

SMBSSM

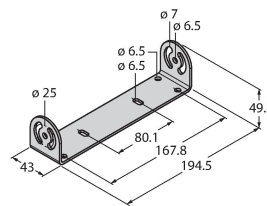
3012465



Mounting brackets, 316 stainless steel, for wall mounting of WLA work lights, incl. 2 brackets and screw kit

SMBSRA

3017708



Mounting bracket, 316 stainless steel, for versatile mounting of WLA work lights, bracket can be aligned

SMBWLAMAG

3019672

Magnetic holder for direct mounting of WLA work lights on metallic surfaces, 4 magnets per light required, SMBWLAMAGR as optional scratch protection