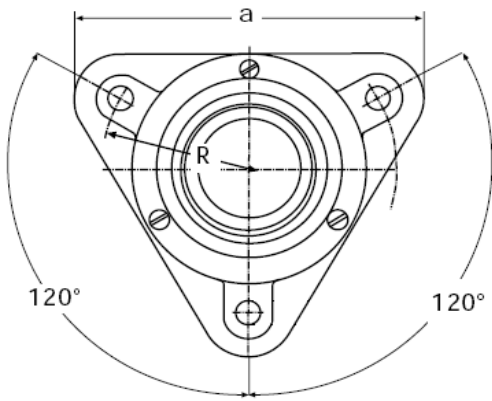


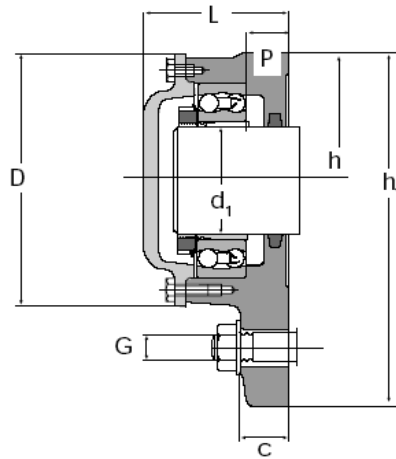


Flanged Bearing Housings 722500 DA/DB Series

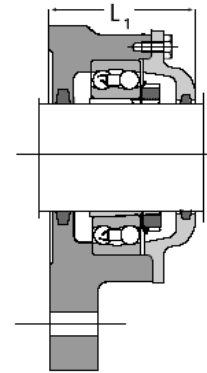
for self aligning ball or roller bearings with adapter sleeve



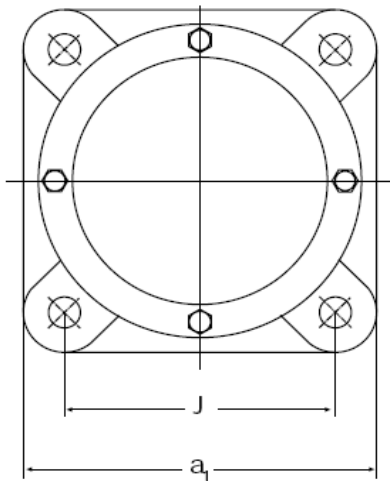
Form for shafts Ø 20 - Ø 60



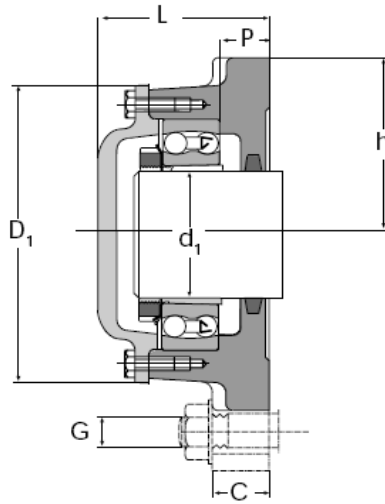
Arrangement A



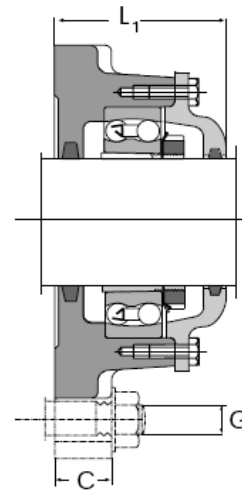
Arrangement B



Form for shafts Ø 65 - Ø 100



Arrangement A



Arrangement B

Housing Reference		Weight (kg)	Dimensions (mm)												
			d_1	D_1	L	L_1	h	h_1	a	c	R	G	P	a_1	J
722505 DA	722505 DB	1,2	20	75	54	59	38	100	110	10	48	M 10	15	-	-
722506 DA	722506 DB	1,5	25	86	57	62	44	117	130	12	58	M 10	16	-	-
722507 DA	722507 DB	1,8	30	97	62	65	48,5	130	145	12	65	M 12	16	-	-
722508 DA	722508 DB	2,3	35	108	64	65,5	54	143	160	12	70	M 12	17	-	-
722509 DA	722509 DB	3,0	40	113	64,5	72	60	160	180	12	80	M 12	20	-	-
722510 DA	722510 DB	3,2	45	118	68,5	72	60	160	180	15	80	M 12	22	-	-
722511 DA	722511 DB	4,1	50	128	77	82	65	172	190	15	85	M 12	24	-	-
722512 DA	722512 DB	4,8	55	142	77	82	72	189	210	16	90	M 12	23	-	-
722513 DA	722513 DB	5,9	60	152	80	86	78	203	225	15	95	M 12	22	-	-
722515 A	722515 B	9,5	65	168	100	107	95	-	-	25	-	M 16	30	190	152
722516 A	722516 B	10,0	70	176	112	114	98	-	-	25	-	M 16	31	196	152
722517 A	722517 B	12,0	75	188	107	115	105	-	-	25	-	M 16	31	210	170
722518 A	722518 B	13,0	80	198	112	119	105	-	-	25	-	M 16	30	210	170
722520 A	722520 B	18,0	90	224	124	134	125	-	-	30	-	M 20	30	250	198
722522 A	722522 B	22,0	100	246	134	137	135	-	-	30	-	M 20	30	270	219

Housing Reference		Bearing + Adapter Sleeve		Fixing Rings	Felt Strip	End Cover Bolts
722505 DA	722505 DB	1205 K + H 205		1 x FR 5/52	5x4 mm	M5 x 16 DIN 964
		2205 K + H 305	22205 K + H 305	1 x ZW 42/52		
722506 DA	722506 DB	1206 K + H 206		1 x FR 6/62	6x5 mm	M5 x 16 DIN 964
		2206 K + H 306	22206 K + H 306	1 x ZW 50/62		
722507 DA	722507 DB	1207 K + H 207		1 x FR 8/72	6x5 mm	M5 x 16 DIN 964
		2207 K + H 307	22207 K + H 307	1 x ZW 65/72		
722508 DA	722508 DB	1208 K + H 208		1 x FR 7/80	6x5 mm	M5 x 16 DIN 964
		2208 K + H 308	22208 K + H 308	1 x ZW 70/80		
722509 DA	722509 DB	1209 K + H 209		1 x FR 6/85	6x5 mm	M6 x 16 DIN 964
		2209 K + H 309	22209 K + H 309	1 x ZW 75/85		
722510 DA	722510 DB	1210 K + H 210		1 x FR 5/90	6x5 mm	M6 x 16 DIN 964
		2210 K + H 310	22210 K + H 310	1 x ZW 80/90		
722511 DA	722511 DB	1211 K + H 211		1 x FR 6/100	8x6,5 mm	M6 x 16 DIN 964
		2211 K + H 311	22211 K + H 311	1 x ZW 85/100		
722512 DA	722512 DB	1212 K + H 212		1 x FR 8/110	8x6,5 mm	M6 x 16 DIN 964
		2212 K + H 312	22212 K + H 312	1 x ZW 90/110		
722513 DA	722513 DB	1213 K + H 213		1 x FR 10/120	8x6,5 mm	M6 x 16 DIN 964
		2213 K + H 313	22213 K + H 313	1 x ZW 100/120		
722515 A	722515 B	1215 K + H 215		2 x FR 8/130	8x6,5 mm	M8 x 25 DIN 933
		2215 K + H 315	22215 K + H 315	1 x FR 10/130		
722516 A	722516 B	1216 K + H 216		2 x FR 9/140	9x7,5 mm	M8 x 25 DIN 933
		2216 K + H 316	22216 K + H 316	1 x FR 10/140		
722517 A	722517 B	1217 K + H 217		2 x FR 9/150	9x7,5 mm	M8 x 25 DIN 933
		2217 K + H 317	22217 K + H 317	1 x FR 10/150		
722518 A	722518 B	1218 K + H 218		2 x FR 10/160	9x7,5 mm	M8 x 25 DIN 933
		2218 K + H 318	22218 K + H 318	1 x FR 10/160		
722520 A	722520 B	1220 K + H 220		1 x FR 10/180	10x8,5 mm	M8 x 25 DIN 933
		2220 K + H 320	22220 K + H 320	1 x FR 10/180		
722522 A	722522 B	1222 K + H 222		2 x FR 12,5/200	12x10 mm	M8 x 25 DIN 935
		2222 K + H 322	22222 K + H 322	1 x FR 10/200		