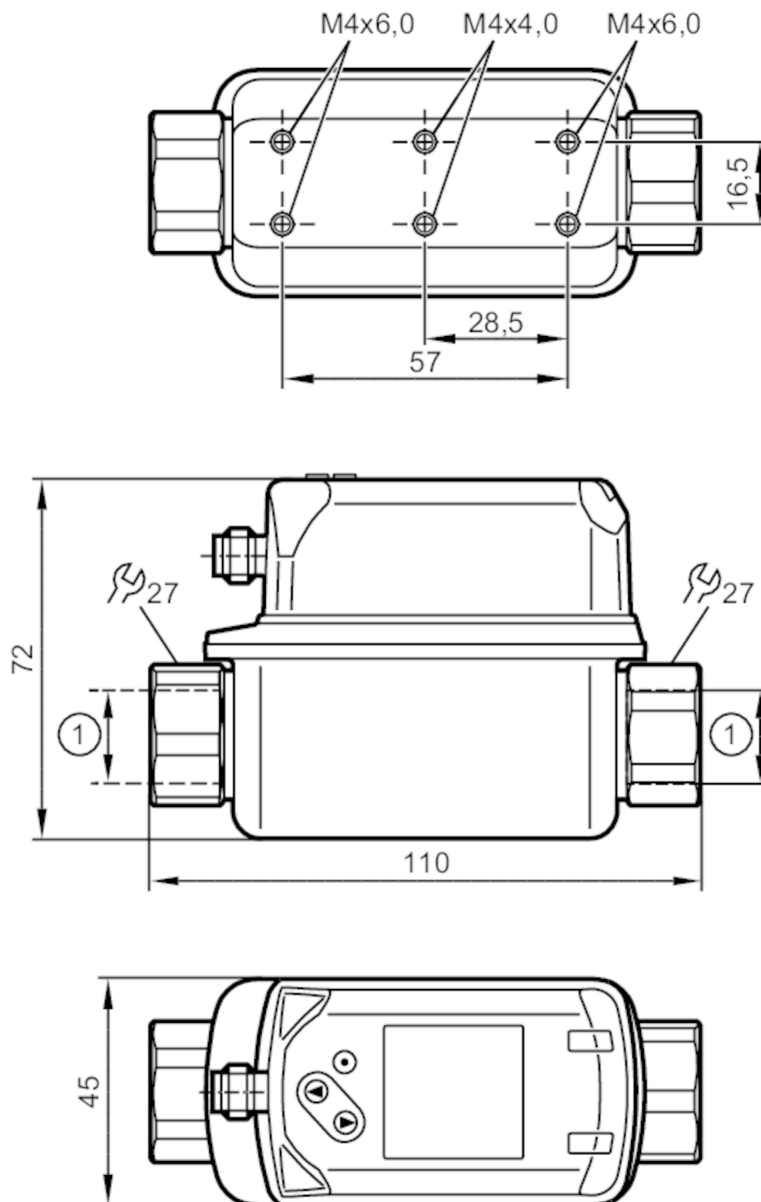


SV4504



Vortex flowmeters with display, Type SV

SVK12XXX50KG/US-100



1 Rc 1/2
DN 8



Product characteristics

Number of inputs and outputs	Number of analog outputs: 2	
Measuring range	1...20 l/min	0.06...1.2 m ³ /h
Process connection	threaded connection Rc 1/2 Internal thread DN8	

SV4504



Vortex flowmeters with display, Type SV

SVK12XXX50KG/US-100

Application		
System	gold-plated contacts	
Application	for industrial applications	
Media	water	
Medium temperature [°C]	-10...90	
Pressure rating [bar]	12	
Pressure rating [Mpa]	1.2	
Note on pressure rating	up to 40 °C	
Electrical data		
Operating voltage [V]	18...30 DC	
Current consumption [mA]	< 30	
Min. insulation resistance [MΩ]	100; (500 V DC)	
Protection class	III	
Reverse polarity protection	yes	
Power-on delay time [s]	< 3	
Inputs / outputs		
Number of inputs and outputs	Number of analog outputs: 2	
Outputs		
Total number of outputs	2	
Output signal	analog signal	
Number of analog outputs	2	
Analog current output [mA]	4...20	
Max. load [Ω]	500	
Short-circuit protection	yes	
Overload protection	yes	
Measuring/setting range		
Measuring range	1...20 l/min	0.06...1.2 m³/h
Display range	0...24 l/min	0...1.44 m³/h
Resolution	0.1 l/min	0.005 m³/h
Analog start point ASP	0...16 l/min	0...0.96 m³/h
Analog end point AEP	4...20 l/min	0.24...1.2 m³/h
In steps of	0.1 l/min	0.005 m³/h
Measuring dynamics	1:20	
Temperature monitoring		
Measuring range [°C]	-10...90	
Display range [°C]	-30...110	
Resolution [°C]	0.5	
Analog start point [°C]	-10...70	
Analog end point [°C]	10...90	
In steps of [°C]	0.5	

SV4504



Vortex flowmeters with display, Type SV

SVK12XXX50KG/US-100

Accuracy / deviations		
Flow monitoring		
Accuracy (in the measuring range)		± 2 % MEW
Repeatability		± 0,5 % MEW
Temperature monitoring		
Accuracy	[K]	± 1
Reaction times		
Flow monitoring		
Response time	[s]	1; (dAP = 0)
Damping process value dAP	[s]	0...5
Temperature monitoring		
Dynamic response T05 / T09	[s]	T09 = 6
Software / programming		
Parameter setting options		Damping for the analog output dAA; Display unit
Operating conditions		
Ambient temperature	[°C]	0...60
Note on ambient temperature		medium temperature < 80 °C medium temperature < 90 °C: 0...50 °C
Storage temperature	[°C]	-20...80
Protection		IP 65; IP 67
Tests / approvals		
EMC		DIN EN 61000-6-2
		DIN EN 61000-6-3
CPA approval	model number	001VO
	accuracy class	-
	maximum allowable error	± 2 % FS
	Q (min)	0,09 m³/h
	Q (t)	0,24 m³/h
Shock resistance		Q (max)
		1,2 m³/h
Shock resistance		DIN EN 60068-2-27
Vibration resistance		5 g (11 ms)
		DIN EN 60068-2-6
		with water / 10...50 Hz 1 mm with water / 50...2000 Hz 2 g
MTTF	[years]	342
UL approval		UL approval number
		I002
Pressure equipment directive		sound engineering practice; can be used for group 2 fluids; group 1 fluids on request
Mechanical data		
Weight	[g]	441.5
Material		stainless steel (1.4404 / 316L); PC; PBT+PC-GF30; PPS; TPE-U
Materials (wetted parts)		stainless steel (1.4404 / 316L); ETFE; PA 6T; PPS; FKM
Tightening torque	[Nm]	30
Process connection		threaded connection Rc 1/2 Internal thread DN8

SV4504



Vortex flowmeters with display, Type SV

SVK12XXX50KG/US-100

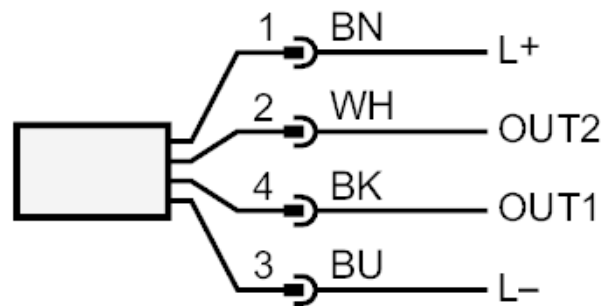
Remarks	
Remarks	MW = Measured value MEW = Final value of the measuring range
Pack quantity	1 pcs.

Electrical connection

Connector: 1 x M12; coding: A; Contacts: gold-plated



Connection



OUT1: analog output Temperature monitoring
OUT2: analog output Volumetric flow quantity monitoring

Colors to DIN EN 60947-5-2

Core colors :

BK = black
BN = brown
BU = blue
WH = white

SV4504

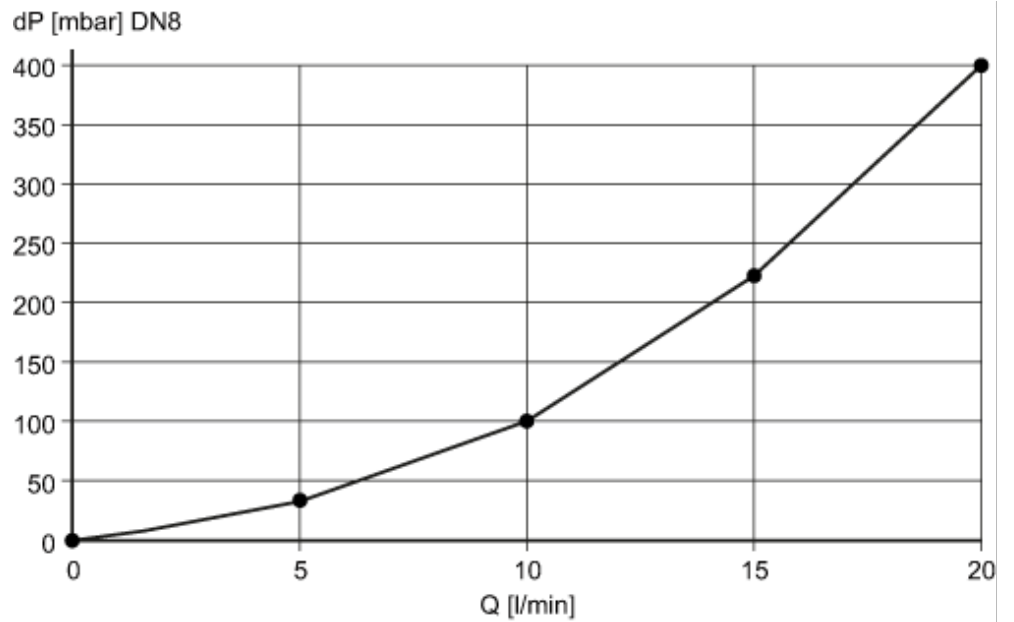


Vortex flowmeters with display, Type SV

SVK12XXX50KG/US-100

Diagrams and graphs

Pressure loss



dP Pressure loss

Q volumetric flow quantity

pressure rating (bar)

