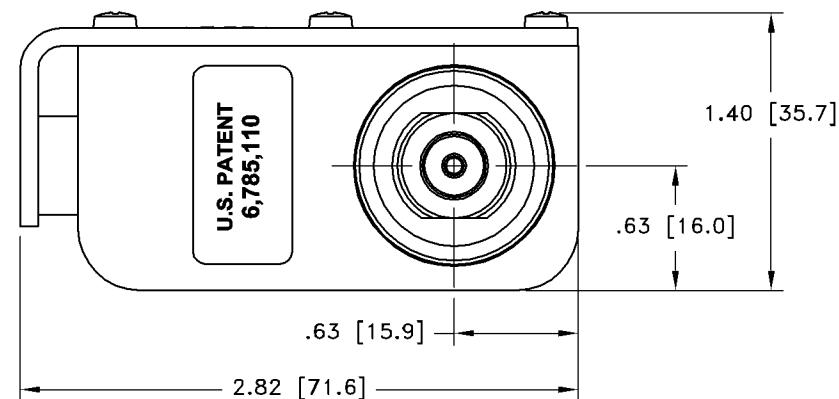
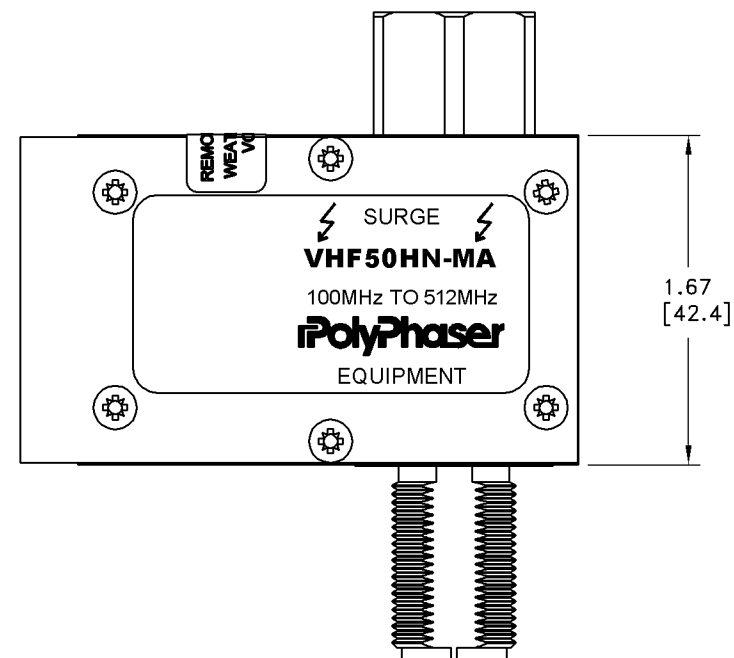
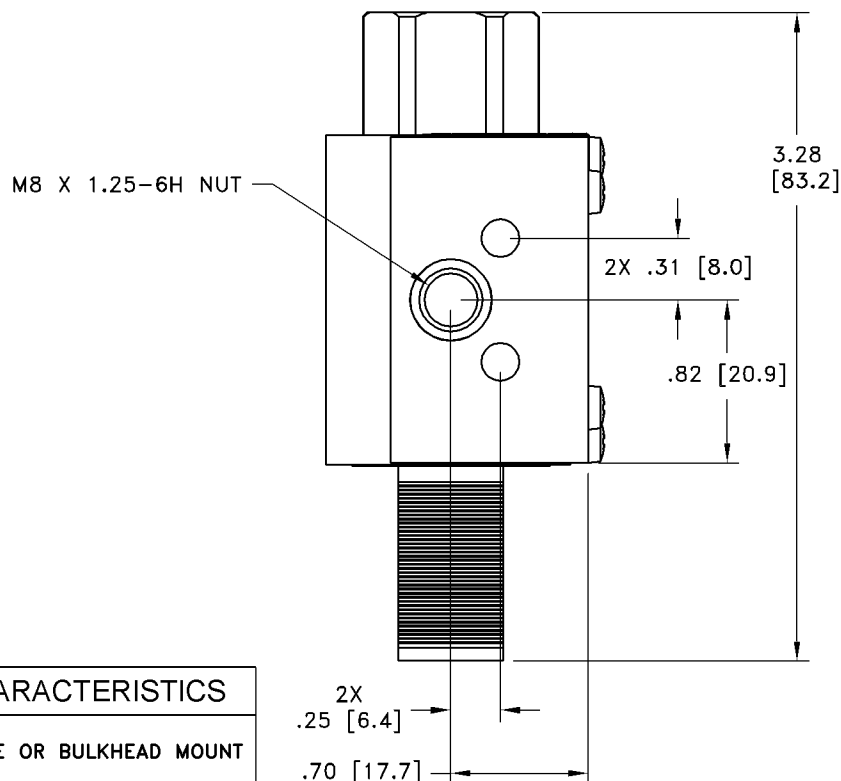


ALL DESIGN, OPERATIVE AND PROCESS DATA PERTAINING TO THE ARTICLE SHOWN ON THIS SHEET IS THE PROPERTY OF POLYPHASER CORPORATION. THE INFORMATION IS NOT TO BE COPIED, REPRODUCED, REVEALED TO OR APPROPRIATED BY OTHERS WITHOUT THE EXPRESS WRITTEN CONSENT OF POLYPHASER CORPORATION.

These commodities or technology are exported from the U.S. in accordance with the Export Administration Regulations. Diversion contrary to U.S. law prohibited.

REVISIONS				
REV LTR	DATE	ENG	MKTG	Q.A.
D	09/08/08 <sup>SH</sup>	AD	--	--



CUSTOMER APPROVAL: \_\_\_\_\_ DATE: \_\_\_\_\_  
 ALL DIMENSIONS SHOWN ABOVE ARE FOR REFERENCE ONLY.

**MAXIMUM CHARACTERISTICS**

APPLICATION:  
 WEATHERIZED, FLANGE OR BULKHEAD MOUNT

FREQUENCY RANGE:  
 100MHz TO 512MHz

VSWR:  
 ≤1.1:1 OVER FREQUENCY RANGE

INSERTION LOSS:  
 ≤0.1dB OVER FREQUENCY RANGE

POWER:  
 750W RMS AVERAGE

MAX. SURGE:  
 20kA IEC 61000-4-5 8/20μs WAVEFORM

THROUGHPUT ENERGY:  
 ≤500nJ FOR 3kA, 8/20μs WAVEFORM

RELATIVE HUMIDITY:  
 TO 95%

ENVIRONMENTAL:  
 MEETS IEC 60529 IP67  
 MEETS BELLCORE #TA-NWT-000487  
 PROCEDURE 4.11, WIND DRIVEN (120MPH)  
 RAIN INTRUSION TEST.

TEMPERATURE:  
 -50°C TO +85°C STORAGE/OPERATING

DRAFTER	DATE
S. HALL	06/11/03
MECH ENGINEER	DATE
R. DUNNING	06/27/03
ELEC ENGINEER	DATE
N. TOPCU	06/26/03
MARKETING	DATE
S. DOTTER	06/27/03
QUALITY DEPT	DATE
L. JACQUES	06/26/03

**PolyPhaser**  
 P.O. BOX 9000 MINDEN, NY 89423 TEL: 775-782-2511 FAX: 775-782-4476  
 DWG NO/PART NO/DESCRIPTION

**VHF50HN-MA**  
 CUSTOMER PRINT

CAGE CODE	FILE NAME	SCALE	SHEET
61114	-C1	1/1	1 OF 1