

Cabinet U-Handles

Steel / Stainless Steel / Aluminum

SPECIFICATION

Version in Steel

Steel

Powder coated
Black, RAL 9005, textured finish **SW**

Chrome-plated **CR**

Blackened **BT**

Location disks

Zinc die casting, nickel plated

Version in Stainless Steel

Stainless steel **NI**

AISI 303 for $d_1 = 6, 8, 10$

AISI 304 for $d_1 = 12, 16$

- Matte shot-blasted **GS**

- Electropolished **EP**

Stainless steel AISI 316L **A4**

Matte shot-blasted **GS**

Location disks

Stainless steel, AISI 303 (for NI)

Stainless steel, AISI 316L (for A4)

Version in Aluminum

Aluminum **AL**

Powder coated

Black, RAL 9005, textured finish **SW**

Silver, RAL 9006, textured finish **SR**

Red, RAL 3000, textured finish **RS**

Location disks

Zinc die casting, nickel plated (for AL)

Anodized, natural color **EL**

INFORMATION

Cabinet U-handles GN 425 are manufactured from a bent stainless steel, steel or aluminum profile. Cabinet U-handles with $\varnothing d_1 = 6, 8$ and 10 are delivered with two location disks to ensure proper contact of the handle even in the case of large connecting holes. The disks are loosely enclosed.

Due to the manufacturing process, **special designs** can be supplied even in relatively small quantities.

The stainless steel version is preferred over the chrome-plated version for outdoor applications.

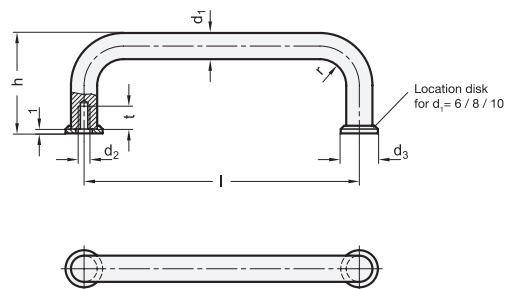
ON REQUEST

- Stainless steel version A4 electropolished

TECHNICAL INFORMATION

- Load Rating Information (see page A35)

- Stainless Steel Characteristics (see page A26)



* Complete with

 SW	 CR	 BT
RAL9005	Chrome-plated	Blackened

GN 425-ST

Description	d ₁	l ±0.25	d ₂	d ₃	h	r	t min.	⚖
GN 425-6-32-*	6	32	M3	9	26	7	7	20
GN 425-6-45-*	6	45	M3	9	26	7	7	21
GN 425-6-55-*	6	55**	M3	9	26	7	7	22
GN 425-6-64-*	6	64	M3	9	26	7	7	24
GN 425-6-88-*	6	88**	M3	9	26	7	7	29
GN 425-8-55-*	8	55	M4	12	35	10	8	40
GN 425-8-64-*	8	64	M4	12	35	10	8	43
GN 425-8-88-*	8	88**	M4	12	35	10	8	50
GN 425-8-96-*	8	96	M4	12	35	10	8	56
GN 425-8-100-*	8	100	M4	12	35	10	8	58
GN 425-8-120-*	8	120**	M4	12	35	10	8	65
GN 425-8-128-*	8	128	M4	12	35	10	8	69
GN 425-10-88-*	10	88**	M5	15	43	12	12	91
GN 425-10-100-*	10	100	M5	15	43	12	12	98
GN 425-10-120-*	10	120**	M5	15	43	12	12	110
GN 425-10-180-*	10	180**	M5	15	43	12	12	150
GN 425-10-200-*	10	200	M5	15	43	12	12	160
GN 425-10-235-*	10	235**	M5	15	43	12	12	175
GN 425-12-125-*	12	125	M6	-	51	14	12	188
GN 425-12-160-*	12	160	M6	-	51	14	12	200
GN 425-12-200-*	12	200	M6	-	51	14	12	231
GN 425-12-250-*	12	250	M6	-	51	14	12	275
GN 425-16-160-*	16	160	M6	-	59	18	12	371
GN 425-16-200-*	16	200	M6	-	59	18	12	430
GN 425-16-250-*	16	250	M6	-	59	18	12	503
GN 425-16-300-*	16	300	M6	-	59	18	12	583

Weight version SW ** suitable for 19" rack and enclosure layout

* Complete with

GS	EP
Matte shot-blasted	Electropolished

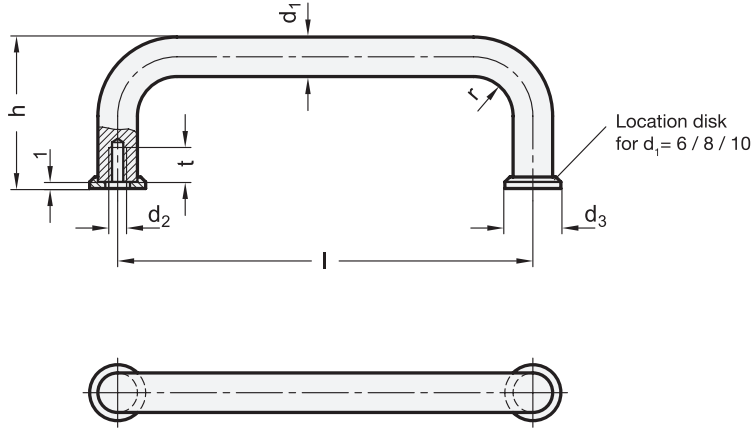
GN 425-NI

STAINLESS STEEL

Description	d ₁	l ±0.25	d ₂	d ₃	h	r	t min.	⚖
GN 425-NI-6-32-*	6	32	M3	9	26	7	7	16
GN 425-NI-6-45-*	6	45	M3	9	26	7	7	19
GN 425-NI-6-55-*	6	55**	M3	9	26	7	7	21
GN 425-NI-6-64-*	6	64	M3	9	26	7	7	22
GN 425-NI-6-88-*	6	88**	M3	9	26	7	7	25
GN 425-NI-8-55-*	8	55**	M4	12	35	10	8	40
GN 425-NI-8-64-*	8	64	M4	12	35	10	8	43
GN 425-NI-8-88-*	8	88**	M4	12	35	10	8	54
GN 425-NI-8-96-*	8	96	M4	12	35	10	8	57
GN 425-NI-8-100-*	8	100	M4	12	35	10	8	58
GN 425-NI-8-120-*	8	120**	M4	12	35	10	8	60
GN 425-NI-8-128-*	8	128	M4	12	35	10	8	70
GN 425-NI-10-88-*	10	88**	M5	15	43	12	12	81
GN 425-NI-10-100-*	10	100	M5	15	43	12	12	95
GN 425-NI-10-120-*	10	120**	M5	15	43	12	12	100
GN 425-NI-10-180-*	10	180**	M5	15	43	12	12	140
GN 425-NI-10-200-*	10	200	M5	15	43	12	12	158
GN 425-NI-10-235-*	10	235**	M5	15	43	12	12	183
GN 425-NI-12-125-*	12	125	M6	-	51	14	12	196
GN 425-NI-12-160-*	12	160	M6	-	51	14	12	200
GN 425-NI-12-200-*	12	200	M6	-	51	14	12	236
GN 425-NI-12-250-*	12	250	M6	-	51	14	12	283
GN 425-NI-16-160-*	16	160	M6	-	59	18	12	380
GN 425-NI-16-200-*	16	200	M6	-	59	18	12	420
GN 425-NI-16-250-*	16	250	M6	-	59	18	12	521
GN 425-NI-16-300-*	16	300	M6	-	59	18	12	600

Weight version SW ** suitable for 19" rack and enclosure layout





GN 425-A4

STAINLESS STEEL

Description	d ₁	l ±0.25	d ₂	d ₃	h	r	t min.	⚖
GN 425-A4-10-88-GS	10	88**	10	43	88	43	12	92
GN 425-A4-10-100-GS	10	100	10	43	100	43	12	99
GN 425-A4-10-120-GS	10	120**	10	43	120	43	12	105
GN 425-A4-10-180-GS	10	180**	10	43	180	43	12	151
GN 425-A4-10-200-GS	10	200	10	43	200	43	12	163
GN 425-A4-10-235-GS	10	235**	10	43	235	43	12	185

** suitable for 19" rack and enclosure layout

* Complete with

SW
 RAL 9005
 SR
 RAL 9006
 RS
 RAL 3000
 EL
 Anodized

GN 425-AL

Description	d ₁	l ±0.25	d ₂	d ₃	h	r	t min.	⚖
GN 425-AL-8-55-*	8	55	M 4	12	35	10	35	17
GN 425-AL-8-64-*	8	64	M 4	12	35	10	35	19
GN 425-AL-8-88-*	8	88**	M 4	12	35	10	35	21
GN 425-AL-8-96-*	8	96	M 4	12	35	10	35	23
GN 425-AL-8-100-*	8	100	M 4	12	35	10	35	24
GN 425-AL-8-120-*	8	120**	M 4	12	35	10	35	26
GN 425-AL-8-128-*	8	128	M 4	12	35	10	35	28
GN 425-AL-10-88-*	10	88**	M 5	15	43	12	43	34
GN 425-AL-10-100-*	10	100	M 5	15	43	12	43	38
GN 425-AL-10-120-*	10	120**	M 5	15	43	12	43	40
GN 425-AL-10-180-*	10	180**	M 5	15	43	12	43	50
GN 425-AL-10-200-*	10	200	M 5	15	43	12	43	60
GN 425-AL-10-235-*	10	235**	M 5	15	43	12	43	64
GN 425-AL-12-125-*	12	125	M 6	-	51	14	51	66
GN 425-AL-12-160-*	12	160	M 6	-	51	14	51	71
GN 425-AL-12-200-*	12	200	M 6	-	51	14	51	83
GN 425-AL-12-250-*	12	250	M 6	-	51	14	51	102
GN 425-AL-16-160-*	16	160	M 6	-	59	18	59	128
GN 425-AL-16-200-*	16	200	M 6	-	59	18	59	151
GN 425-AL-16-250-*	16	250**	M 6	-	59	18	59	180
GN 425-AL-16-300-*	16	300	M 6	-	59	18	59	205

Weight version SW ** suitable for 19" rack and enclosure layout

U-Handles 4